

Entry / ECO

Standard / STD

Professional / PRO

ODM & OEM

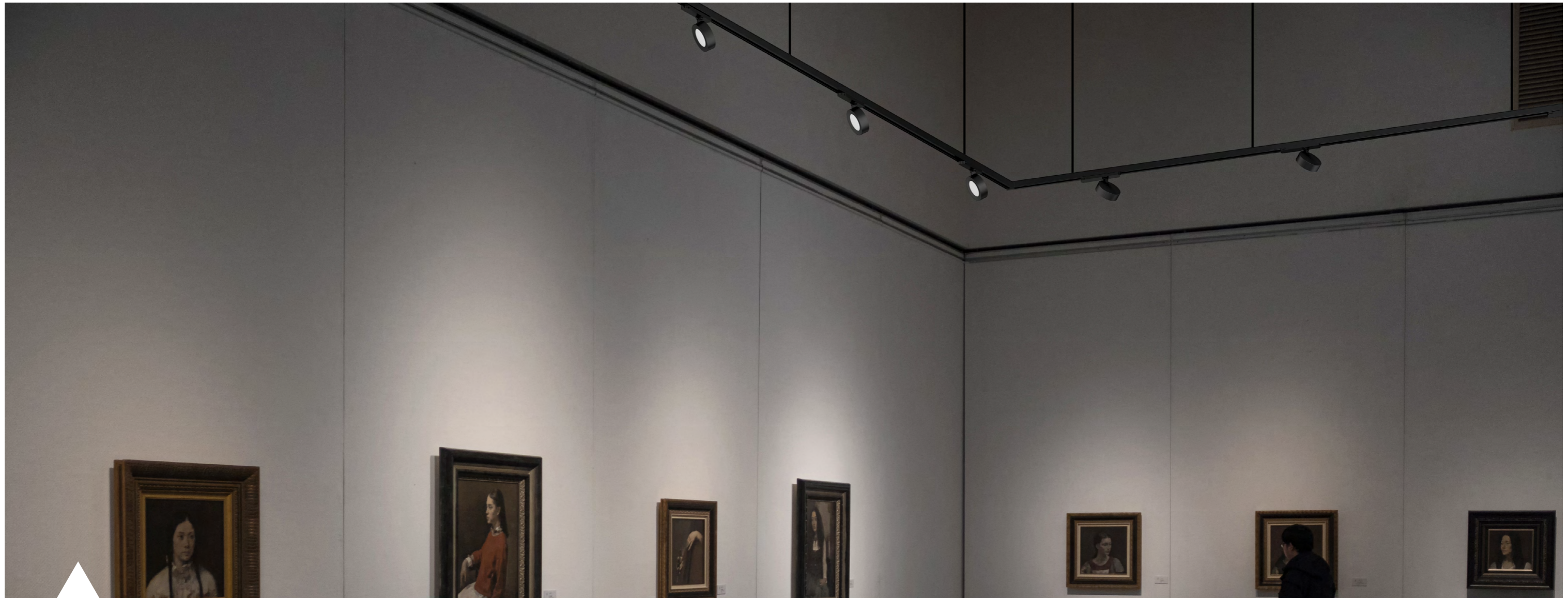
Intelligent / INT

STD
Specifications



LED Track Light
TL79 Series

luzon
lighting™



Introduction

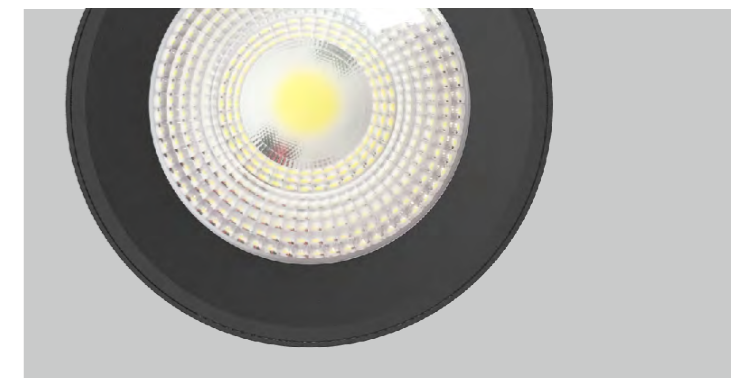
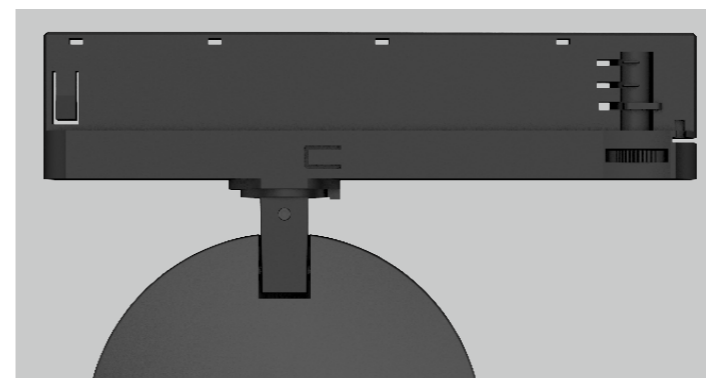
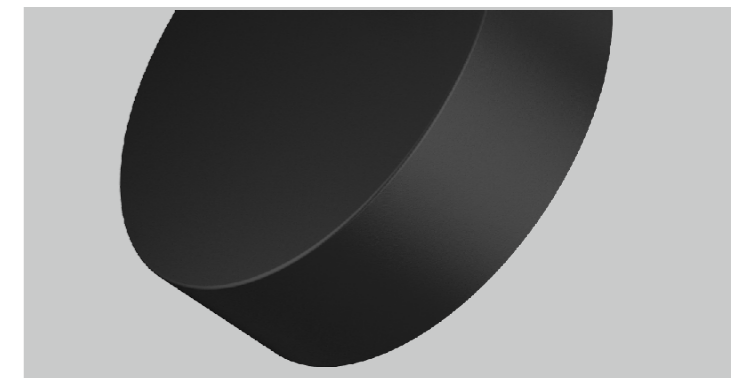
The LED track light with simple structure design. Integrate driver and 3 circuits adapter make an easier installation. ADC12 aluminum light body provides excellent heat dissipation. Adjustable lighting orientation with 350° in horizontal direction and 90° in vertical direction.

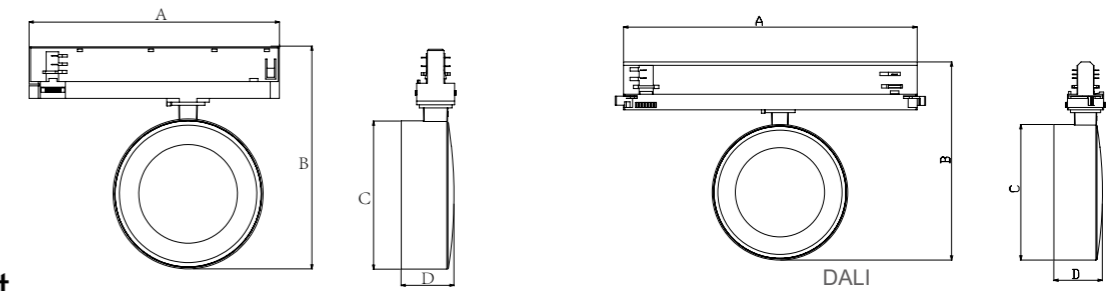
Features

- Replaceable lens options: 15°/24°/36°/60°.
- Replaceable rings options: Black/White/Gold/Silver.
- High lumen efficiency, 110lm/W.
- Adjustable lighting orientation with 350° in horizontal direction and 90° in vertical direction.
- Integrated driver and external adapter.

Application Areas

It is suitable for supermarket, specialty store, show window, exhibition hall; focus lighting, decorative and background lighting, where attention is focused on subjects to emphasize special visual points.





Measurement

Code	Dimension(mm)				Size(mm)	Product Weight (Kg)		Package weight (Kg)		Carton Size(mm)	Qty/CTN	20GP (pcs)	40HQ (pcs)
	A	B	C	D		N.W/PC	G.W/PC	N.W/CTN	G.W/CTN				
TL79-25W	207	178	Ø120	43	Ø120*43	0.61	0.71	7.32	8.52	485*255*515	12PCS	5256	12600
TL79-30W	207	178	Ø120	43	Ø120*43	0.61	0.71	7.32	8.52	485*255*515	12PCS	5256	12600
TL79-25W-DA	260	176	Ø120	43	Ø120*43	0.65	0.75	7.8	9	570*330*380	12PCS	4908	11856
TL79-30W-DA	260	176	Ø120	43	Ø120*43	0.65	0.75	7.8	9	570*330*380	12PCS	4908	11856

Technical Data Sheet

Code No.	TL79-25W	TL79-30W		
Dimension(mm)	Ø120*43			
Cutout (mm)	-			
Watt(W)	25W	30W		
Rated Input Voltage(V)	AC230V			
Input Voltage(V)	AC200-240V			
LED Module Input	-			
Light Source	COB			
SDCM	<6			
CCT(K)	1-CCT: 2700K/3000K/4000K/5000K			
CCT Selection DIP Switch	NO			
Luminous Flux (lm) ±5%	Non-DIM	1-CCT	2350~2950Lm	2900~3350Lm
	DIM	1-CCT	2200~2650Lm	2800~3200Lm
	Non-DIM	3-CCT	-	-
	DIM	3-CCT	-	-
CRI	80/90/97 optional)			
Beam Angle (°)	15°/24°/36°/60°(lens replaceable)			
UGR	-			
LED Driver	Built-in			
Dimming Option	NO			
Sensor	NO			
Emergency Kits	NO			
Electrical Class	Class II			
Ingress Protection (IP Rating)	20			
Impact Resistance (IK Rating)	06			
Product Finishing(Base)	White RAL 9016/Black RAL9005			
Materials of Optics	PMMA			
Materials of Housing	PC/Aluminium			
Lifetime (hr)	50000h			
Glow wire test (°C)	650°C			
Operating Temp. (°C)	-20°C ~40°C			
Storage Temp. (°C)	-20°C ~65°C			
Inst allation	Track			

Driver Datasheet (Non-Dimmable)

Total load wattage		25W	30W
Output	Output Voltage range	30-40V	
	Rated output current	600mA	750mA
	Line Regulation	±5%	
	Setup, Rise Time	<0.5S	
	Flickering Index	<10%	
Input	Input Voltage	180-265VAC	
	Rated Input Voltage(V)	200-240VAC	
	Frequency	50/60Hz	
	Input Current	0.16A	0.18A
	Rated Input Current	0.14A	0.17A
	Power Factor	0.9	
	THD	<20% @230V	
	Efficiency	≥87%	
Protection	No load wattage	<0.5W	
	Short circuit protection	Pass	
	Over voltage protection	Pass	
Safety & EMC	Over temperature protection	Pass	
	Withstand voltage	I/P-O/P:3.75KVac, <5mA 60S	
	Isolation Resistance	I/P-O/P: 500VDC, ≥100M Ω	
	Surge	IEC/EN61000-4-5(P<25W); IEC/EN61000-4-5 (P≥25w L-N:1kV)	
	EMC Emission	EN55015, EN61000-3-2	
EMC Immunity	EN61000-4-2,3,4,5,6,8,11; EN61547		

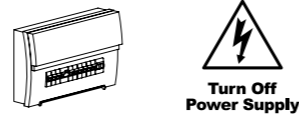
Driver Datasheet (DALI)

Total load wattage		25W	30W
Output	Output Voltage range	DC30-40V	
	Rated output current	580mA	720mA
	Line Regulation	±5%	
	Setup, Rise Time	<1S	
	Flickering Index	<10%	
Input	Input Voltage	AC200-240V	
	Rated Input Voltage(V)	AC230V	
	Frequency	50Hz/60Hz	
	Input Current	0.14A	0.17A
	Rated Input Current	0.13A	0.16A
	Power Factor	0.9	
	THD	<20% @230V	
	Efficiency	≥84%	≥85%
	No load wattage	<1W	
	Protection	Short circuit protection	Pass
Over voltage protection		Pass	
Over temperature protection		Pass	
Safety & EMC	Withstand voltage	I/P-O/P: 3.75KVac, <5mA 60S	
	Isolation Resistance	I/P-O/P: 500VDC, ≥100M Ω	
	Surge	IEC/EN61000-4-5 (P<25W; L-N:500V); IEC/EN61000-4-5 (P≥25w L-N:1KV)	
	EMC Emission	EN55015, EN61000-3-2	
	EMC Immunity	EN61000-4-2,3,4,5,6,8,11; EN61547	

Installation Procedure

WARNING

1. Switch off before installation / maintenance.
2. Switch on only after complete installation and examination of the circuit.
3. Professional electrician for installation and maintenance only.

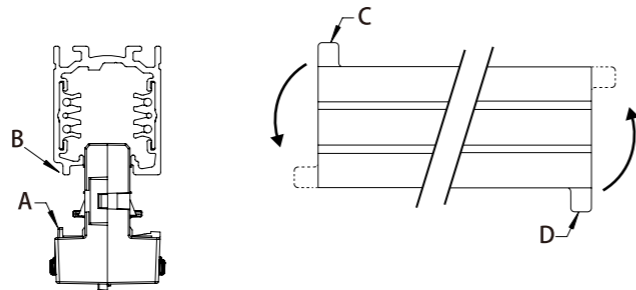


Turn Off power supply before starting any installation. Read instructions & check you have all the tools & accessories to complete the installation correctly.

DALI Driver Installation

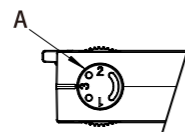
1.1 Adapter mounting into the track

Insert the adapter into the track, so that the mechanical key (A) in the adaptor matches the groove (B) in the track. Rotate of about 90° the lever of the cam (C = mains and D = DALI-2) until it reaches the locking position. To open rotate the lever the opposite direction.



1.2 Phase selection

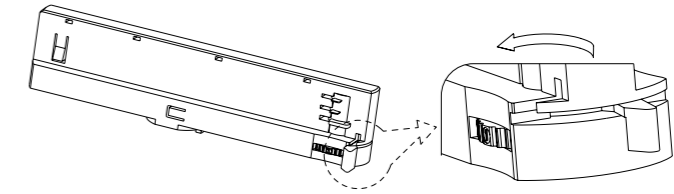
When the track is connected to a three-phase system it is possible to select the phase (L1, L2 or L3) to distribute the single luminaires in the system, by means of the proper selector (A) of the adaptor.



Installation Procedure

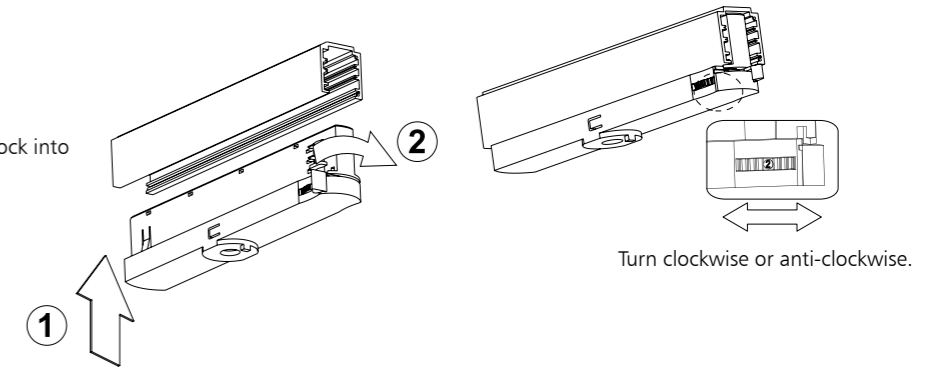
Step 1

Prior to locating Adaptor into Track Section make sure it is set in the 'OFF' position & 'Locking Lever' is set in the position shown.



Step 2

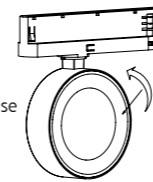
Locate Track Adaptor into Track Section (1) & lock into position by turning 'Locking Lever' 90°(2)



Replacement method of rings and lens

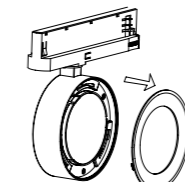
Step 1

Rotate the ring counterclockwise as shown.



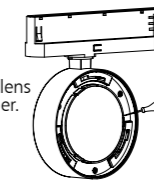
Step 2

Take out the ring.



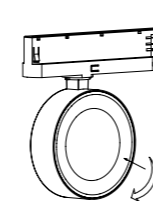
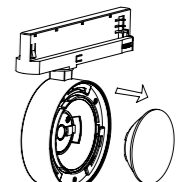
Step 3

Use a flat-head tool to pry the lens out of the holder.



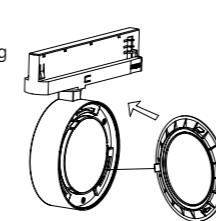
Step 4

Take out the lens.



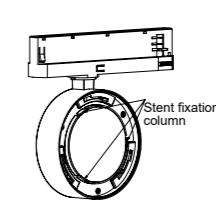
Step 8

Rotate the ring clockwise.



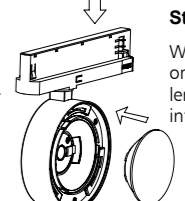
Step 7

When reassembling or replacing the ring, align the ring buckle with the holder slot and buckle in.



Step 6

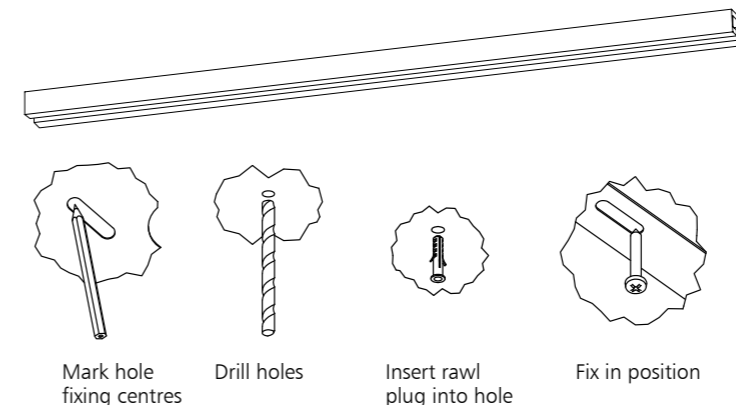
Make sure the lens fix tight with the holder.



Step 5

When reassembling or replacing the lens, press the lens into the holder.

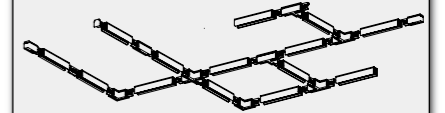
Track installation: CEILING MOUNTED



Below connector of track available, please contact with sales.



I connector L connector T connector X connector



Note: Do not install in the place near heat source, or in corrosive gas environment.


ECO
Specifications


STD
Specifications


PRO
Specifications


ODM
Specifications


INT
Intelligent