

Entry / ECO

Standard / STD

Professional / PRO

ODM & OEM

Intelligent / INT

STD
Specifications



TL69A



TL69B

LED Track Light
TL69 Series

luzon
lighting™



Introduction

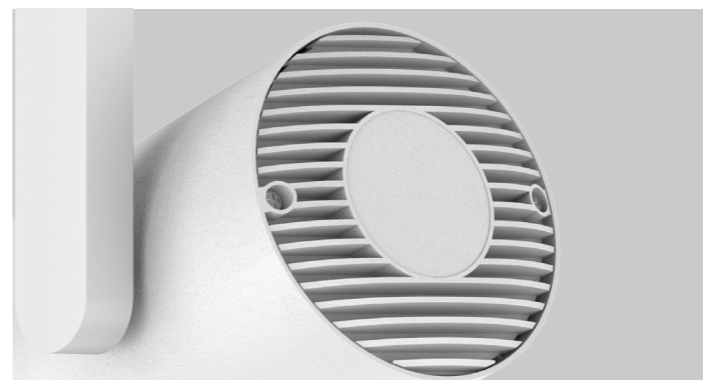
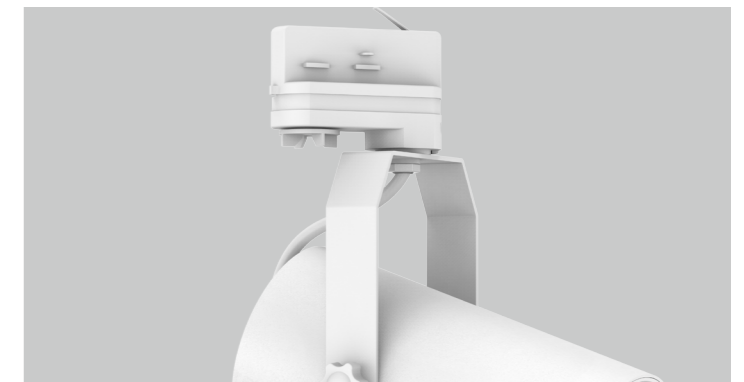
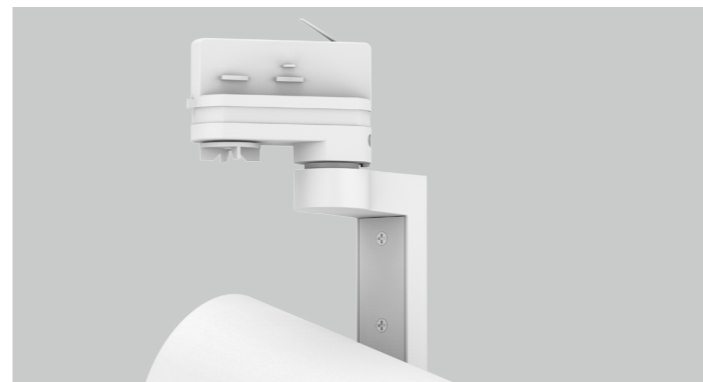
The LED track light with adjustable focus design, special lens can have a fast beam angle change (Just press the lens). Adopt high lumen Citizen light source, two bracket design options, changeable lighting orientation with 350° in horizontal direction and 300° in vertical direction. Aluminum heat sink provides excellent heat dissipation. Easy installation, recreational for various application.

Features

- Adjustable focus lens 20°~36°, 36°~60°.
- Brand LED light source Citizen COB.
- High lumen efficiency 115lm/W.
- Finish color: White/Black.
- Internal flicker free driver.

Application Areas

It is suitable for supermarket, specialty store, show window, exhibition hall; focus lighting, decorative and background lighting, where attention is focused on subjects to emphasize special visual points



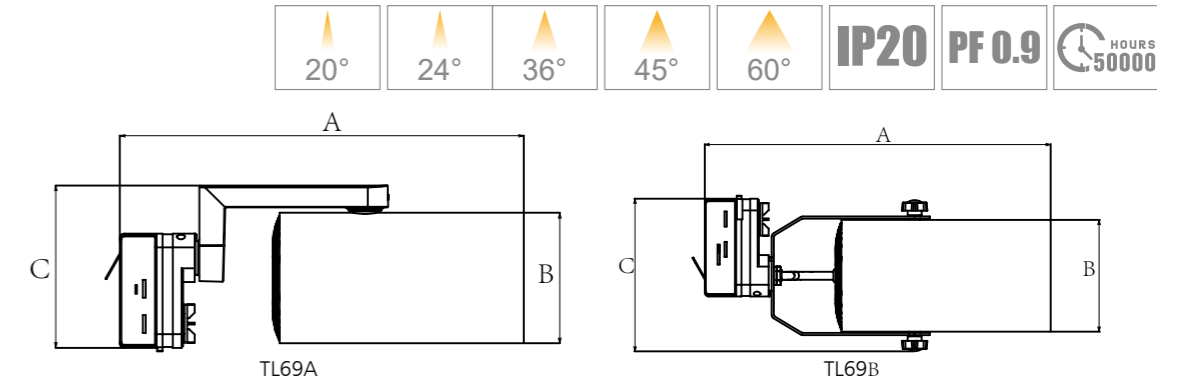


TL69A

TL69B

Technical Data Sheet(1)

Code No.		TL69A/B-25W	TL69A/B-35W	
Dimension(mm)		Ø96*298		
Cutout (mm)		-		
Watt(W)		25W	35W	
Rated Input Voltage(V)		AC230V		
Input Voltage(V)		AC200-240V		
LED Module Input		-		
Light Source		COB		
SDCM		<6		
CCT(K)		1-CCT: 2700K/3000K/4000K/5000K		
CCT Selection DIP Switch		NO		
Luminous Flux (lm) ±5%	Non-DIM	1-CCT	2800~2950Lm	3750~3950Lm
	DIM		2550~2700Lm	3400~3600Lm
	Non-DIM	3-CCT	-	-
	DIM		-	-
CRI		80(/90/97 optional)		
Beam Angle (°)		a(20°/24°/36°)/b(36°/45°/60°)		
UGR		-		
LED Driver		Built-in		
Dimming Option		YES		
Sensor		NO		
Emergency Kits		NO		
Electrical Class		Class I		
Ingress Protection (IP Rating)		IP20		
Impact Resistance (IK Rating)		6		
Product Finishing(Base)		White RAL 9016/Black RAL9005		
Materials of Optics		PMMA		
Materials of Housing		PC/Aluminium		
Lifetime (hr)		50000h		
Glow wire test (°C)		650°C		
Operating Temp. (°C)		-20°C ~40°C		
Storage Temp. (°C)		-20°C ~65°C		
Inst allation		Track		



Measurement

Code	Dimension(mm)			Size(mm)	Product Weight (Kg)		Package weight (Kg)		Carton Size(mm)	Qty/CTN	20GP (pcs)	40HQ (pcs)
	A	B	C		N.W/PC	G.W/PC	N.W/CTN	G.W/CTN				
TL69A-25W	298	Ø96	120	Ø96*298	1.2	1.3	14.4	15.6	54*35.5*48.5	12PCS	3600	8064
TL69A-35W	298	Ø96	120	Ø96*298	1.2	1.3	14.4	15.6	54*35.5*48.5	12PCS	3600	8064
TL69B-25W	298	Ø96	132	Ø96*298	1.2	1.3	14.4	15.6	54*35.5*48.5	12PCS	3600	8064
TL69B-35W	298	Ø96	132	Ø96*298	1.2	1.3	14.4	15.6	54*35.5*48.5	2PCS	3600	8064

Driver Datasheet (Non-Dimmable)

Total load wattage		25W	35W
Output	Output Voltage range	30-40V	
	Rated output current	600mA	860mA
	Line Regulation	±5%	
	Setup, Rise Time	<0.5S	
	Flickering Index	<10%	
Input	Input Voltage	180-265VAC	
	Rated Input Voltage(V)	200-240VAC	
	Frequency	50/60Hz	
	Input Current	0.16A	0.22A
	Rated Input Current	0.14A	0.20A
	Power Factor	0.9	
	THD	<20% @230V	
	Efficiency	≥85%	≥87%
Protection	No load wattage	<0.5W	
	Short circuit protection	Pass	
	Over voltage protection	Pass	
Safety & EMC	Over temperature protection	Pass	
	Withstand voltage	I/P-O/P:3.75KVac, <5mA 60S	
	Isolation Resistance	I/P-O/P: 500VDC, ≥100M Ω	
	Surge	IEC/EN61000-4-5(P<25W; L-N:500V, L/N-PE:1KV); IEC/EN61000-4-5 (P≥25w L-N:1KV, L/N-PE:2KV)	
EMC Emission	EN55015, EN61000-3-2		
EMC Immunity	EN61000-4-2,3,4,5,6,8,11; EN61547		

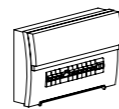
Driver Datasheet (Triac Dimmable)

Total load wattage		25W	35W
Output	Output Voltage range	DC30-40V	
	Rated output current	580mA	800mA
	Line Regulation	±5%	
	Setup, Rise Time	<0.5S	
	Flickering Index	<10%	
Input	Input Voltage	AC200-240V	
	Rated Input Voltage(V)	AC230V	
	Frequency	50Hz	
	Input Current	0.14A	0.2A
	Rated Input Current	0.13A	0.17A
	Power Factor	0.9	
	THD	<20% @230V	
	Efficiency	≥84%	≥85%
	No load wattage	<1W	
	Protection	Short circuit protection	Pass
Over voltage protection		Pass	
Over temperature protection		Pass	
Safety & EMC	Withstand voltage	I/P-O/P:3.75KVac, <5mA 60S	
	Isolation Resistance	I/P-O/P: 500VDC, ≥100M Ω	
	Surge	IEC/EN61000-4-5(P<25W; L-N:500V, L/N-PE:1KV); IEC/EN61000-4-5 (P≥25w L-N:1KV, L/N-PE:2KV)	
	EMC Emission	EN55015, EN61000-3-2	
	EMC Immunity	EN61000-4-2,3,4,5,6,8,11; EN61547	

Installation Procedure

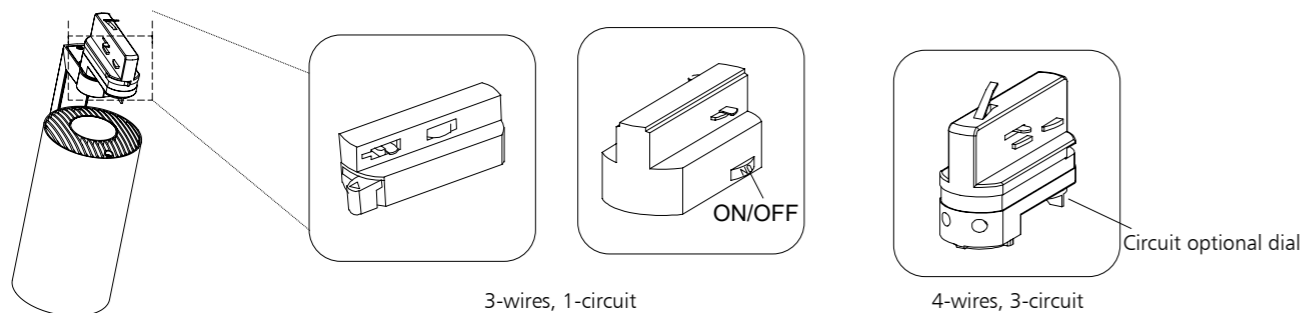
WARNING ⚡

1. Switch off before installation / maintenance.
2. Switch on only after complete installation and examination of the circuit.
3. Professional electrician for installation and maintenance only.

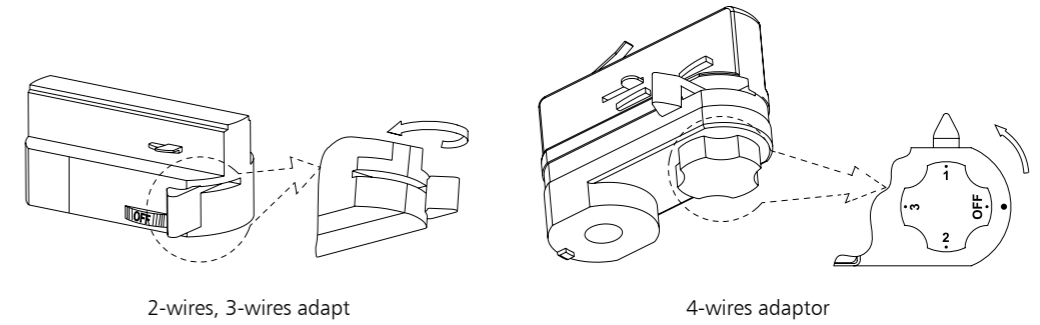


Turn Off power supply before starting any installation. Read instructions & check you have all the tools & accessories to complete the installation correctly.

Select Adaptor Before You Buy The Track Light

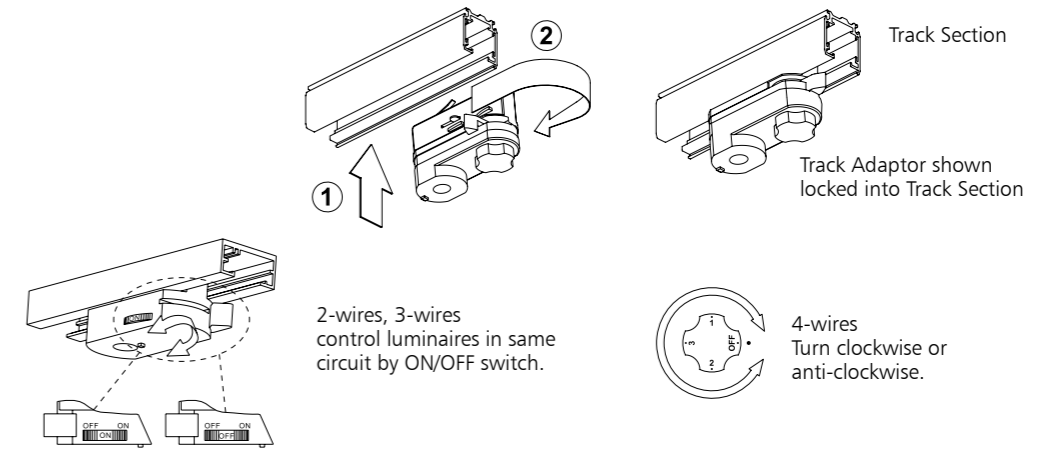


Installation Procedure



Step 1

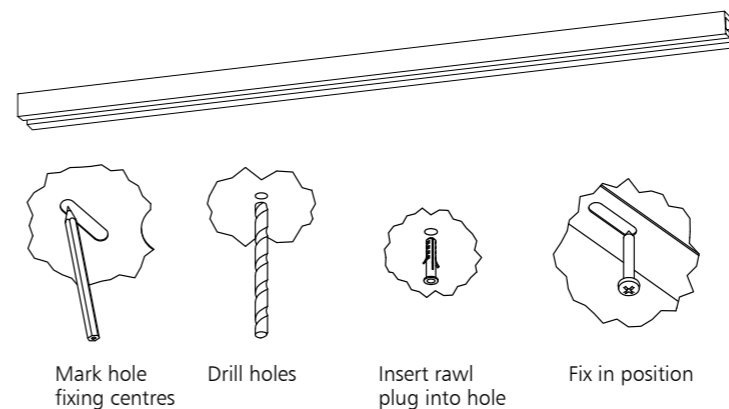
Prior to locating Adaptor into Track Section make sure it is set in the 'OFF' position & 'Locking Lever' is set in the position shown.



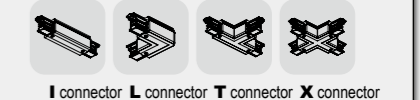
Step 2

Locate Track Adaptor into Track Section (1) & lock into position by turning 'Locking Lever' 90°(2)

Track installation: CEILING MOUNTED



Below connector of track available, please contact with sales.



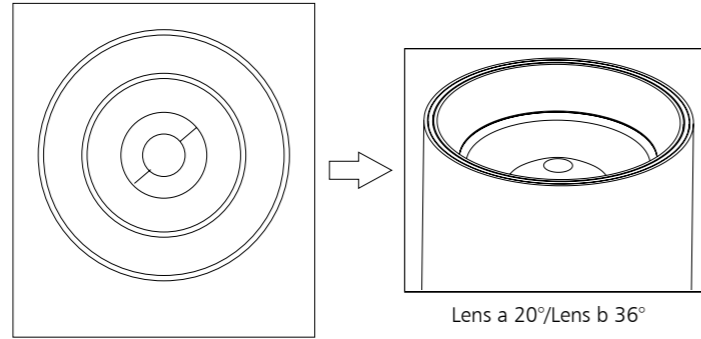
Note: Do not install in the place near heat source, or in corrosive gas environment.

Lamp angle operation method

Lens a: (20°/24°/36°)
Lens b: (36°/45°/60°)

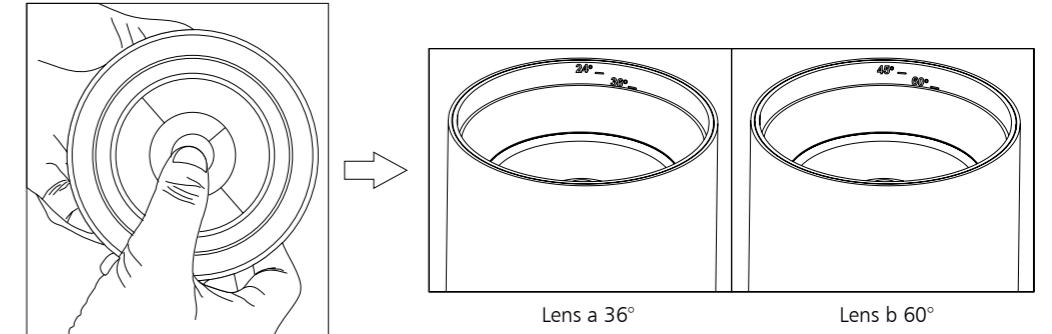
Step 1

By default, the front side is flat, at the moment the beam angle is :
Lens a 20°/Lens b 36°.



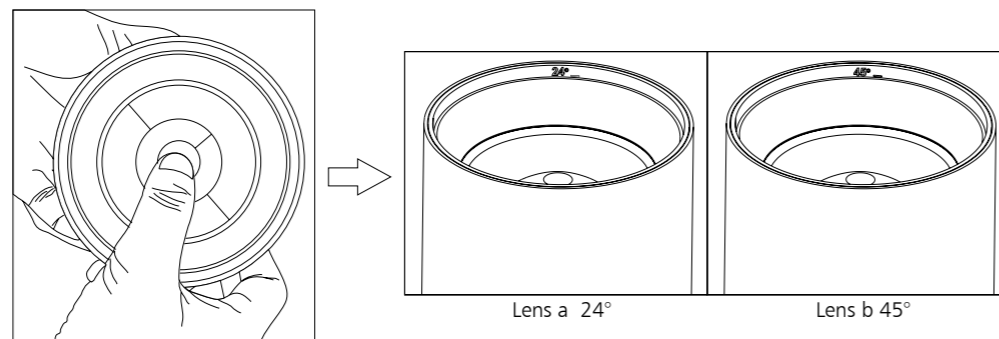
Step 3

Press the lens again, at the moment the beam angle is:
Lens a 36°/Lens b 60°.



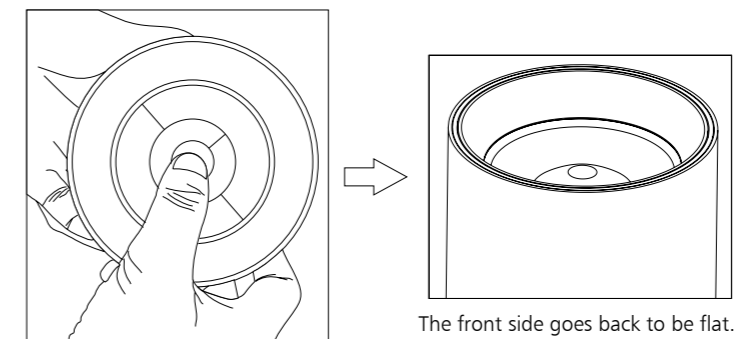
Step 2

As the picture shown, press the lens in the first time, at the moment the beam angle is : Lens a 24°/Lens b 45°.



Step 4

Keep pressing for the third time, the lens will go back to be a flat status, beam angle will also go back by default status.



2019
ECO
Specifications

2019
STD
Specifications

2019
PRO
Specifications

2019
ODM
Specifications

2019 
INT
Intelligent