

Entry / ENT

Standard / STD

Professional / PRO

ODM & OEM



STD
Specifications



LED Track
TL62 Series

luzon
lighting™



Introduction

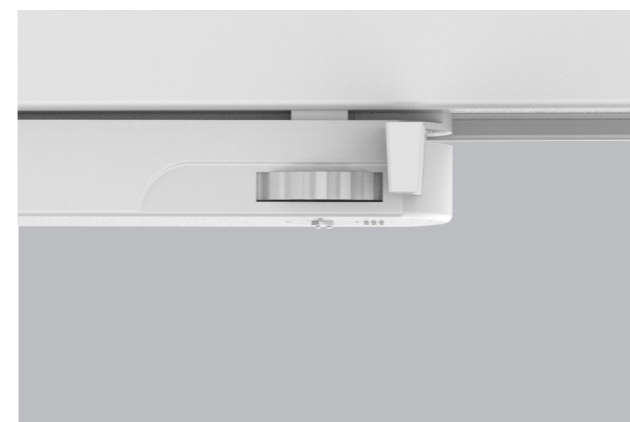
The LED track light with simple structure design. Integrate driver and 3 circuits adapter. Adopt Cree LED and lens for accent lighting. ADC12 aluminum light body provides excellent heat dissipation. Adjustable lighting orientation with 350° in horizontal direction and 90° in vertical direction.

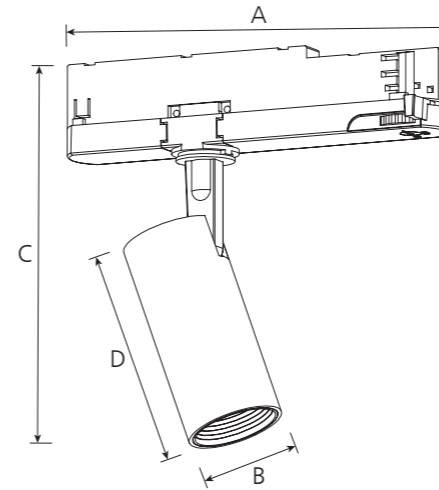
Features

- Integrated driver and adapter.
- Branded CREE light source.
- Adjustable lighting orientation with 350° in horizontal direction and 90° in vertical direction.
- 3 circuits adapter only.

Application Areas

It is suitable for supermarket, specialty store, show window, exhibition hall; focus lighting, decorative and background lighting, where attention is focused on subjects to emphasize special visual points.





Technical Data Sheet

Model No.	TL62-8W	TL62-12W	TL62-16W		
Dimension(mm)	196*46*180	196*46*200	196*46*200		
Cutout (mm)	-	-	-		
Watt(W)	8W	12W	16W		
Rated Input Voltage(V)	AC230V				
Input Voltage(V)	AC220-240V				
LED Module Input					
Light Source	COB				
SDCM	-				
CCT(K)	1CCT: 2700K / 3000K / 4000K / 5000K 3CCT: 3000K + 4000K + 5700K				
CCT Selection DIP Switch	No				
Luminous Flux (lm) ±5%	Non-DIM	1-CCT	540~600	800~880	1000~1080
	DIM		-	-	-
	Non-DIM	3-CCT	-	-	-
	DIM		-	-	-
CRI	≥80				
Beam Angle (°)	36°				
UGR	-				
LED Driver	Built-in				
Dimming Option	No				
Sensor	No				
Emergency Kits	No				
Electrical Class	Class II				
Ingress Protection (IP Rating)	IP20				
Impact Resistance (IK Rating)	-				
Product Finishing(Base)	White RAL 9016 / Black RAL 9005				
Materials of Optics	-				
Materials of Housing	ADC12				
Lifetime (hr)	50,000h				
Glow wire test (°C)	750°C				
Operating Temp. (°C)	-20°C ~45°C				
Storage Temp. (°C)	-20°C ~65°C				
Installation	Track				

Measurement

Model	Dimension(mm)				Size(mm)	Product Weight (Kg)		Package weight (Kg)		Carton Size(cm)	Qty/CTN	20GP (pcs)	40HQ (pcs)
	A	B	C	D		N.W/PC	G.W/PC	N.W/CTN	G.W/CTN				
TL62-8W	196	46	180	100	196*46*180	0.27	0.38	8.1	13.0	49.5*46.5*47	30	5760	15000
TL62-12W	196	46	200	120	196*46*200	0.30	0.41	9.0	13.8				
TL62-16W	196	46	200	120	196*46*200	0.30	0.41	9.0	13.8				

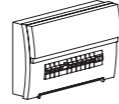
Driver Datasheet (Non-Dimmable)

Total load wattage		8W	12W	16W
Output	Output Voltage range	DC30-38V	DC30-38V	DC30-38V
	Rated output current	180mA	250mA	350mA
	Line Regulation	-	-	-
	Setup, Rise Time	-	-	-
	Flickering Index	-	-	-
Input	Input Voltage	AC230V	AC230V	AC230V
	Rated Input Voltage(V)	AC220-240V	AC220-240V	AC220-240V
	Frequency	50/60Hz	50/60Hz	50/60Hz
	Input Current	0.05A	0.06A	0.08A
	Rated Input Current	-	-	-
	Power Factor	0.8	0.9	0.92
	THD	<20% @ 230V		
	Efficiency	80%	82%	82%
	No load wattage	-	-	-
Protection	Short circuit protection	Pass		
	Over voltage protection	Pass		
	Over temperature protection	Pass		
Safety & EMC	Withstand voltage	I/P-O/P:3.75KVac, <5mA 60S, I/P-FG:1.6KVac, <5mA 60S, O/P-FG:0.5KVac, <5mA 60S		
	Isolation Resistance	I/P-O/P: 500VDC, ≥100M Ω		
	Inrush Current	IEC61000-4-5(L-N:1KV, L/N-PG:2KV)		
	EMC Emission	EN55015, EN61000-3-2		
	EMC Immunity	EN61000-4-2,3,4,5,6,8,11; EN61547		

Installation Procedure

WARNING ⚡

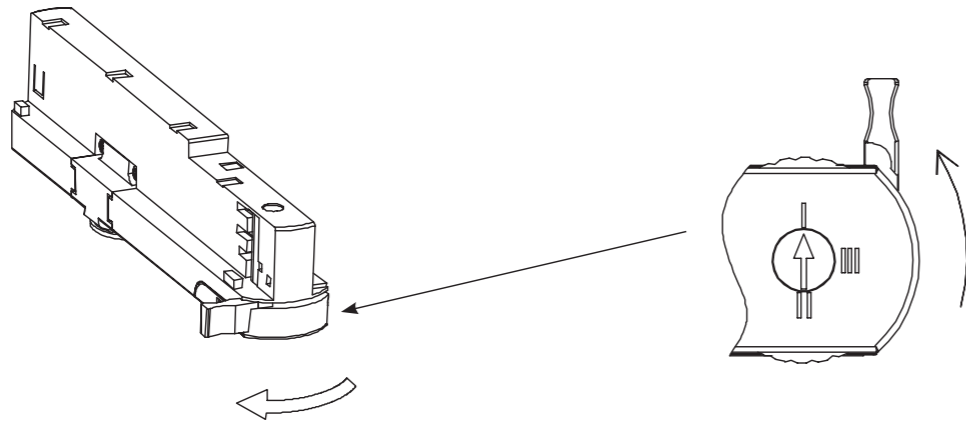
1. Switch off before installation / maintenance.
2. Switch on only after complete installation and examination of the circuit.
3. Professional electrician for installation and maintenance only.



Turn Off power supply before starting any installation. Read instructions & check you have all the tools & accessories to complete the installation correctly.

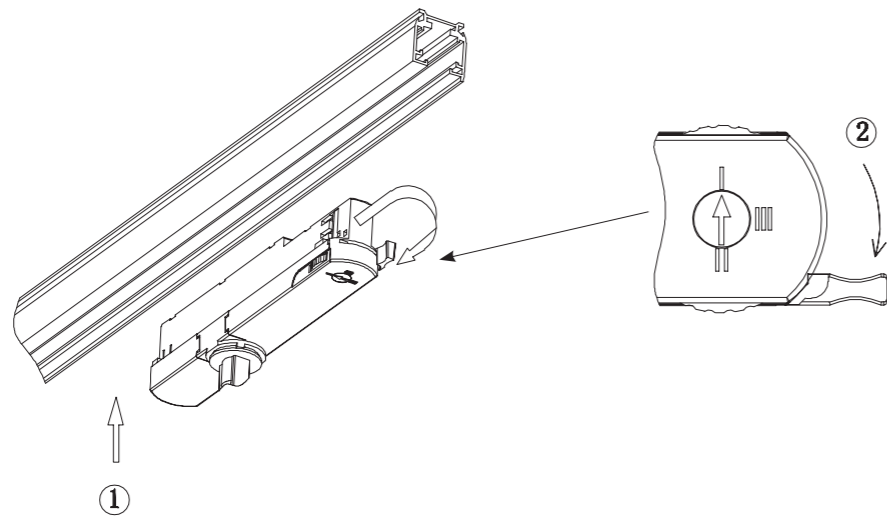
How to install

Step 1



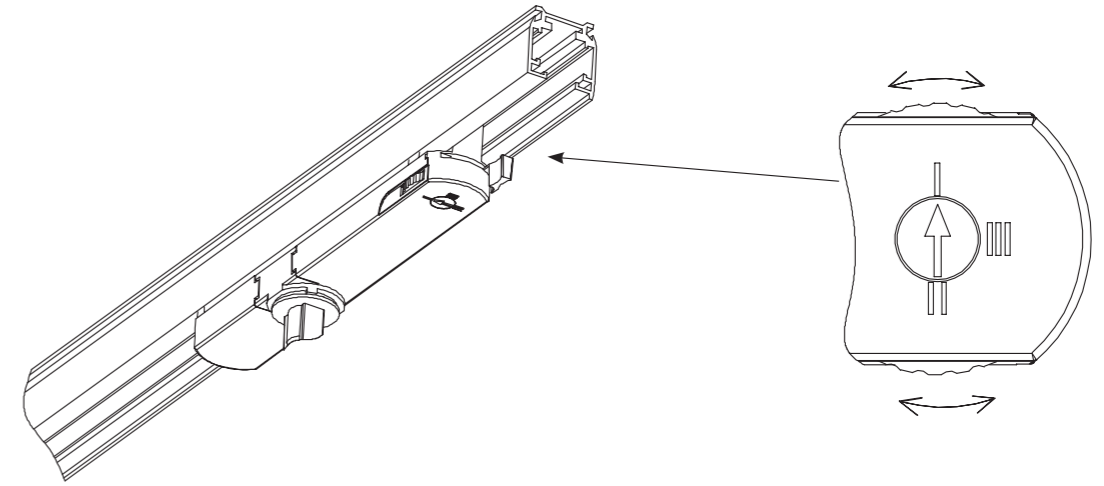
Adjust the clasp of the adapter to make it fit in the track.

Step 2



Install the track light in the track and fix it.

Step 3



Adjust the circuits needed.

2019
ECO
Specifications

2019
STD
Specifications

2019
PRO
Specifications

2019
ODM
Specifications