

Entry / ECO

Standard / STD

Professional / PRO

ODM & OEM

Intelligent / INT

2019

**ECO**  
Specifications



LED Downlight

DL222-8-16W Series

**luzon**  
lighting™



## Introduction

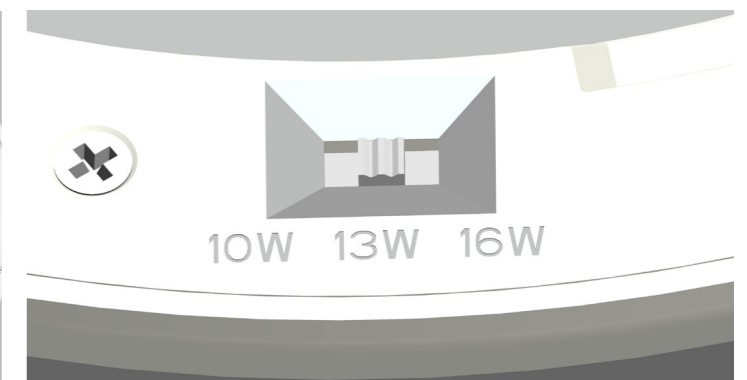
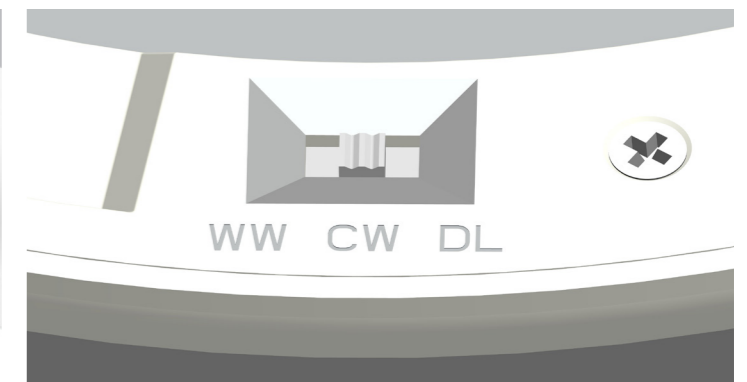
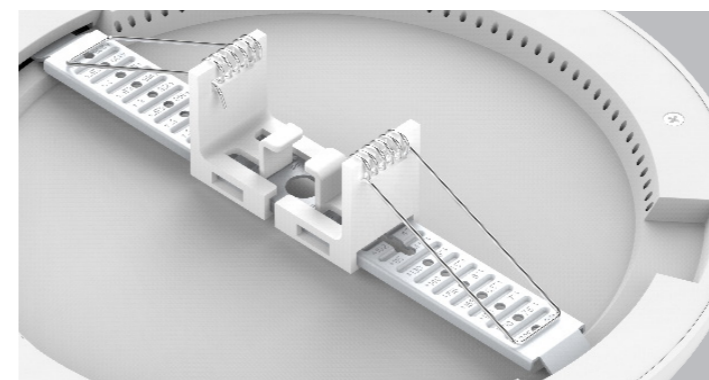
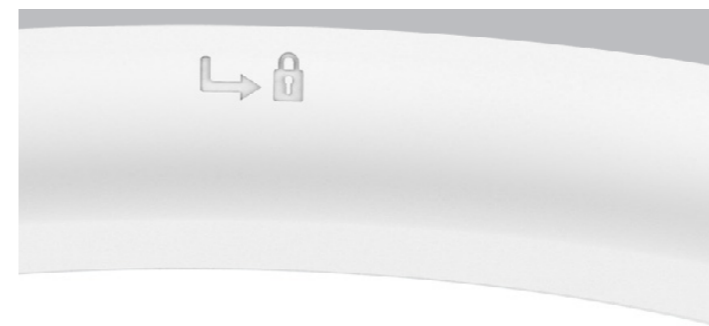
This downlight featured with adjustable cutout size. Adopt high lumen SMD LED and edge lighting design with even light output. AL1060 Aluminum profile provides excellent thermal dissipation. Super slim with internal driver, can be widely used in various application. Recessed and surface mounted installation optional.

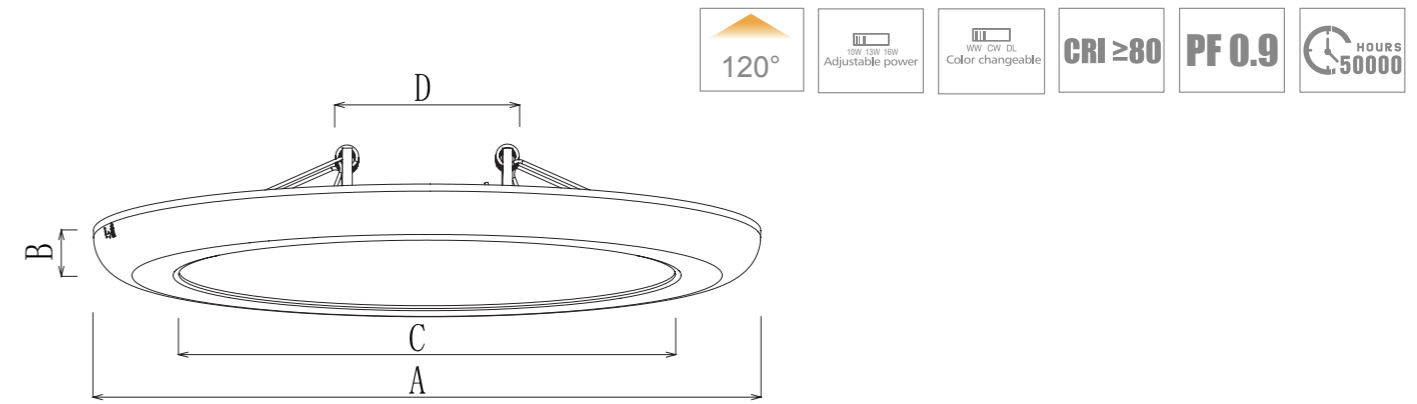
## Features

- Adjustable cutout size from 65mm to 205mm for recessed installation, more choice for replacement work
- Super slim with internal driver
- Interchangeable CCT(3000/4000/5700k)with slide switch
- Interchangeable power
- Triac dim
- Recessed and surface mounted installation

## Application Areas

It is designed for general lighting applications in office, supermarket, shop, school, hotel, etc. It is also widely used for public areas, such as stairway, lobby, reception, corridors etc





## Technical Data Sheet

Model No.	DL222-8-16W	DL222-8-16W-A3		
Dimension(mm)	Ø235*16			
Cutout (mm)	Ø65-Ø205			
Watt(W)	16W	10W / 13W / 16W		
Rated Input Voltage(V)	AC100-240V	AC230V		
Input Voltage(V)	AC85-265V	AC200-240V		
LED Module Input	-			
Light Source	SMD			
SDCM	<6			
CCT(K)	1-CCT: 3000K / 4000K / 5000K / 5700K    3-CCT: 3000K + 4000K + 5700K			
CCT Selection DIP Switch	YES			
Luminous Flux (lm) ±5%	Non-DIM	1-CCT	1500~1650	10W:950~1000 / 13W:1200~1450 / 16W:1500~1650
		DIM	1500~1650	-
	Non-DIM	3-CCT	1500~1800	10W:950~1000 / 13W:1200~1450 / 16W:1500~1800
		DIM	1500~1800	-
CRI	≥80			
Beam Angle (°)	120°			
UGR	-			
LED Driver	Built-in			
Dimming Option	Triac			
Sensor	-			
Emergency Kits	-			
Electrical Class	Class II			
Ingress Protection (IP Rating)	IP20			
Impact Resistance (IK Rating)	-			
Product Finishing(Base)	White RAL 9016			
Materials of Optics	PS			
Materials of Housing	PC/Aluminium			
Lifetime (hr)	5,0000h			
Glow wire test (°C)	650°C			
Operating Temp. (°C)	-20°C ~45°C			
Storage Temp. (°C)	-20°C ~65°C			
Installation	Surface mount / Recessed			

## Measurement

Model	Dimension(mm)				Size(mm)	Product Weight (Kg)		Package weight (Kg)		Carton Size(cm)	Qty/CTN	20GP (pcs)	40HQ (pcs)
	A	B	C	D		N.W/PC	G.W/PC	N.W/CTN	G.W/CTN				
8"	235	16	175	65-205	Ø235*16	0.36	0.52	7.2	11.4	32.5*29.*50.5	20PCS	11200	28000

## Driver Datasheet (Non-Dimmable)

Total load wattage		16W
Output	Output Voltage range	DC65-78V
	Rated output current	210mA
	Line Regulation	±5%
	Setup, Rise Time	≤0.5S
	Flickering Index	≤10%
Input	Input Voltage	AC85-265V
	Rated Input Voltage(V)	AC100-240V
	Frequency	50/60Hz
	Input Current	≤0.18A
	Rated Input Current	≤0.17A
	Power Factor	0.9
	THD	-
	Efficiency	≥88%
Protection	No load wattage	≤0.5W
	Short circuit protection	Pass
	Over voltage protection	Pass
Safety & EMC	Over temperature protection	Pass
	Withstand voltage	-
	Isolation Resistance	I/P-O/P: 500VDC, ≥100M Ω
	Surge	IEC61000-4-5(L-N:0.5KV,)
	EMC Emission	EN55015, EN61000-3-2
EMC Immunity	EN61000-4-2,3,4,5,6,8,11; EN61547	

## Driver Datasheet (Triac Dimmable)

Total load wattage		16W
Output	Output Voltage range	DC65-78V
	Rated output current	205mA±5%
	Line Regulation	±5%
	Setup, Rise Time	≤1S
	Flickering Index	-
Input	Input Voltage	AC200-240V
	Rated Input Voltage(V)	AC230V
	Frequency	50Hz
	Input Current	≤0.09A
	Rated Input Current	0.08A
	Power Factor	0.9
	THD	≤20%
	Efficiency	≥87%
	No load wattage	≤1W
	Short circuit protection	Pass
Protection	Over voltage protection	Pass
	Over temperature protection	Pass
	Withstand voltage	-
Safety &EMC	Isolation Resistance	-
	Surge	IEC61000-4-5(L-N:0.5KV,)
	EMC Emission	EN55015, EN61000-3-2
	EMC Immunity	EN61000-4-2,3,4,5,6,8,11; EN61547

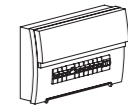
## Driver Datasheet(A3)

Total load wattage		10W	13W	16W
Output	Output Voltage range	DC65-78V		
	Rated output current	130mA	170mA	210mA
	Line Regulation	±5%		
	Setup, Rise Time	≤0.5S		
	Flickering Index	10%		
Input	Input Voltage	AC200-240V		
	Rated Input Voltage(V)	AC230V		
	Frequency	50Hz/60Hz	50Hz/60Hz	50Hz/60Hz
	Input Current	≤0.07A	≤0.09A	≤0.09A
	Rated Input Current	0.06A	0.08A	0.08A
	Power Factor	0.7	0.7	0.9
	THD	-	-	-
	Efficiency	≥86%	≥87%	≥88%
	No load wattage	<0.5W		
	Short circuit protection	Pass		
Protection	Over voltage protection	Pass		
	Over temperature protection	Pass		
	Withstand voltage	-		
Safety &EMC	Isolation Resistance	-		
	Surge	IEC61000-4-5(L-N:0.5KV,)		
	EMC Emission	EN55015, EN61000-3-2		
	EMC Immunity	EN61000-4-2,3,4,5,6,8,11; EN61547		

## Installation Procedure

### WARNING ⚡

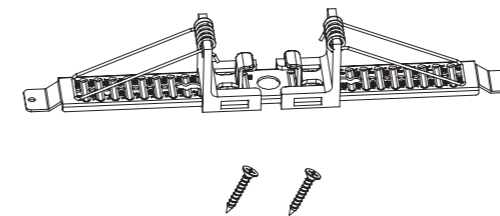
1. Switch off before installation / maintenance.
2. Switch on only after complete installation and examination of the circuit.
3. Professional electrician for installation and maintenance only.



Turn Off power supply before starting any installation. Read instructions & check you have all the tools & accessories to complete the installation correctly.

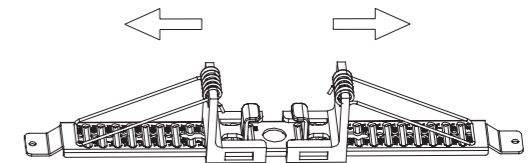
### Surface Mounted Installation

#### Step 1



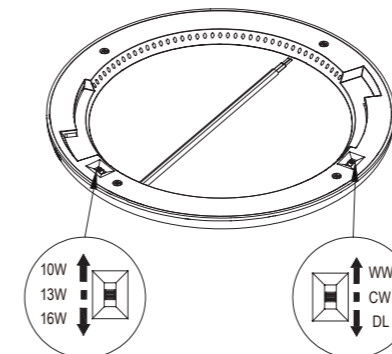
Take out the lamp and accessory pack from box.

#### Step 2



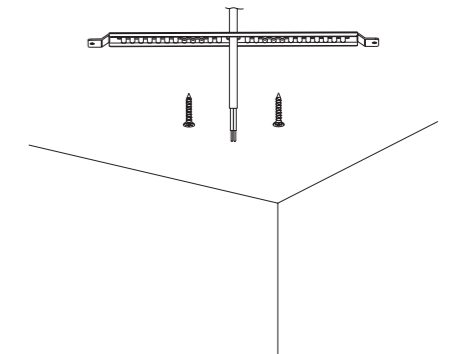
Slide the spring to the edge and remove them.

#### Step 3



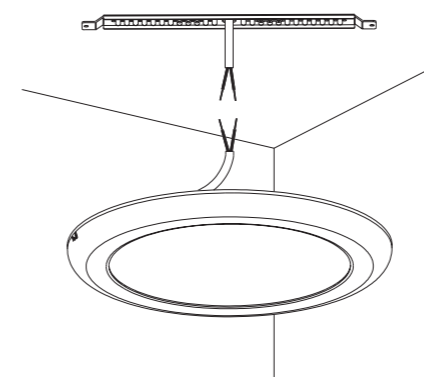
Choose preferred CCT or power by slide switch. (Ignore this step if without the function)

#### Step 4



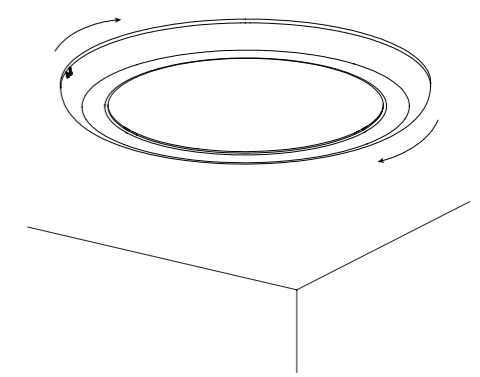
Knock-in the plastic anchor into ceiling, fix bracket with screw.

#### Step 5



Connect wires with L,N, and do insulation treatment.

#### Step 6

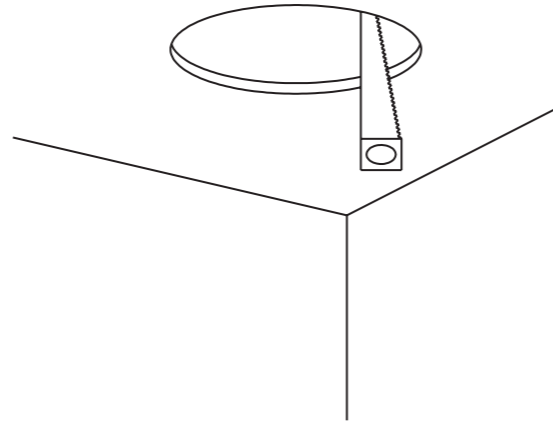


Aim the groove at the installation bracket, rotate the lamp clockwise until it is firmly fixed, turn on.

Recessed into ceiling

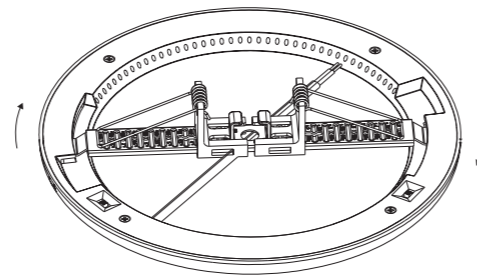
**Step 1**

Open a hole with size 65mm~205mm



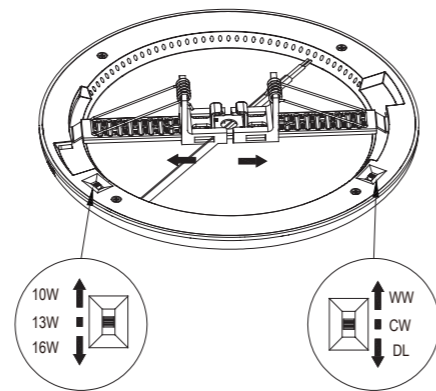
**Step 2**

Rotate the bracket clockwise until it fix tightly with lamp groove.



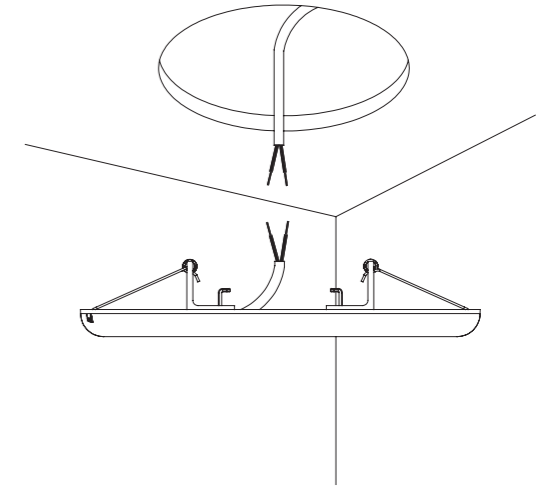
**Step 3**

Adjust snap to a proper cutout size;  
Choose preferred CCT or power by slide switch. (Ignore this step if without the function)



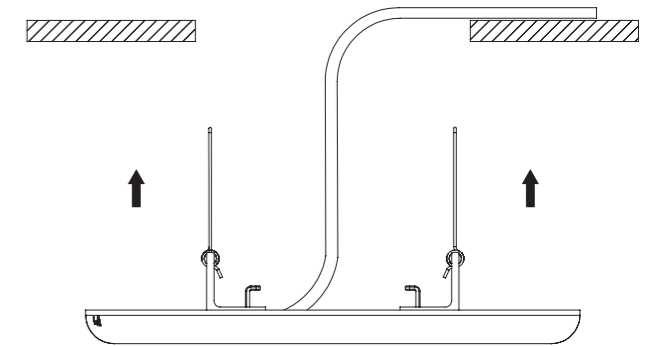
**Step 4**

Connect wires with L,N, and do insulation treatment.



**Step 5**

Hold back the spring clip then push the downlight into the hole.



**Step 6**

Make sure the lamp fixed tightly, turn on.



2019  
**ECO**  
Specifications

2019  
**STD**  
Specifications

2019  
**PRO**  
Specifications

2019  
**ODM**  
Specifications

2019   
**INT**  
Intelligent