

## LED Module

DL160

**luzon**  
lighting™

# Introduction



DL160 is a DIY module which can be flexibly assembled into track light, surface mounted down light and recessed down light when match with different fixture; the module beam angle adjusted from 20° to 70° makes the light change very evenly.



## Features

1. ADC12 material provides excellent heat dissipation
2. DIY modular design
3. Beam angle adjustable(20°-70°)
4. Triac dimmable available
5. CCT:2700K 3000K 4000K 5000K
6. No UV/IR light
7. Environment friendly, without Mercury or any other hazardous substances

## Application Areas

It is designed for general lighting applications in office, supermarket, shop, school, hotel, etc. It is also widely used for public areas, such as stairway, lobby, reception, corridors etc.

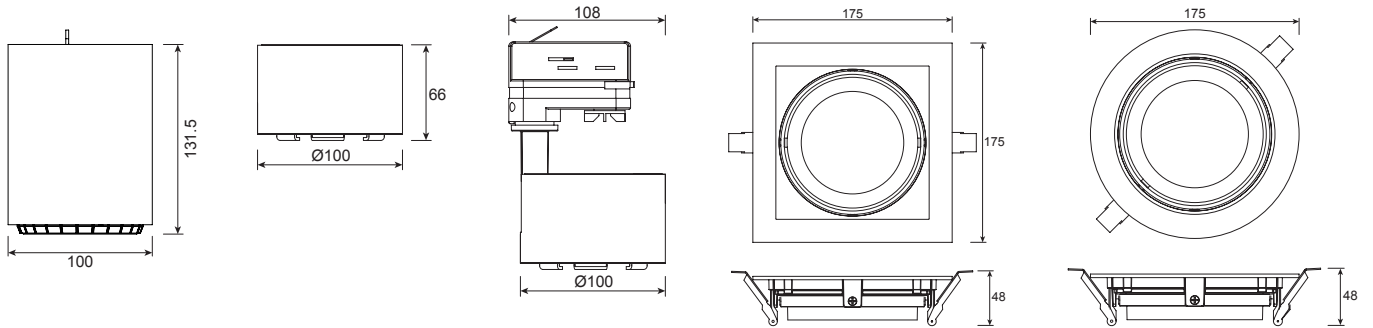









20°~70°

**PF 0.9**

**CRI ≥80**



## Measurement

Model	Size(mm)	Product Weight (Kg)		Package weight (Kg)		Carton Size(cm)	Qty/CTN	20GP (pcs)	40HQ (pcs)
		N.W/PC	G.W/PC	N.W/CTN	G.W/CTN				
	Ø100*131.5	0.98	1.05	17.65	22	42.5*55.5*42.5	18	4860	11988
	175*175*48	0.4	0.46	9.6	12.6	45*45*39	24	7200	18000
	Ø175*48	0.35	0.41	8.4	11.4	45*45*39	24	7200	18000
	Ø100*66	0.35	0.39	12.6	15.8	42.5*42.5*42.5	36	11700	29160
	Ø100*157	0.45	0.5	10.8	14.2	56.5*41*42.5	24	6720	16272

## Technical Data Sheet

Model No.		DL160-25W	
Watt(W)		25W	
Dimension(mm)		Ø100*131.5	
Input Voltage(V)		AC100-240V    AC230V	
Rated Input Voltage(V)		AC85-265V    AC200-240V	
LED		COB	
SDCM		6	
CCT(K)		1-CCT: 2700K / 3000K / 4000K / 5000K	
"Luminous Flux (lm) ±5%	1-CCT	DIM	2500-3100
		Non-DIM	2650-3250
CRI		≥80	
Beam Angle (°)		20°~70°	
LED Driver		Built-in	
DIM		Triac	
Protection Class		Class I	
IP Rating		IP20	
Finishing color		White RAL 9016	
Material		PC / Aluminium	
Lifetime (hr)		50,000	
Glow wire test (°C)		650°C	
Operating Temp.(°C)		-20°C ~45°C	
Storage Temp.(°C)		-20°C ~65°C	
Installation		Track / Recessed / Surface mount	
Brand Driver option		-	

## Driver Datasheet (Non-Dimmable)

Power	25W
Rated Input Voltage(V)	AC100-240V
Frequency	50/60Hz
Input Voltage	AC85-265V
Efficiency	85%
Total load wattage	25W±5%
Power Factor	0.9
Rated Input Current	≤0.28A
Full load output voltage	DC28-40V
Rated output current	600mA
Output current range	600mA±5%
Power tolerance	±5%
Current output tolerance	±5%
Short circuit protection	PASS
Over voltage protection	PASS
Over temperature protection	PASS
THD	<20% @ 230V
Surge	L-N 1KV L / N-PE 2KV
Withstand voltage	AC3750V

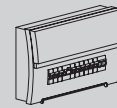
# Driver Datasheet (Triac Dimmable)

Power	25W
Rated Input Voltage(V)	AC230V
Frequency	50Hz
Input Voltage	AC200-240V
Efficiency	85%
Total load wattage	25W±5%
Power Factor	0.85
Rated Input Current	≤0.14A
Full load output voltage	DC30-40V
Rated output current	580mA
Output current range	580mA±5%
Power tolerance	±5%
Current output tolerance	±5%
Dimming Range	8%-100%
Short circuit protection	PASS
Over voltage protection	PASS
Over temperature protection	PASS
THD	<20% @ 230V
Surge	L-N 1KV L / N-PE 2KV
Withstand voltage	AC3750V

## Installation Procedure

### WARNING

1. Switch off before installation.
2. Switch on only after complete installation and examination of the circuit.
3. Professional electrician for installation and maintenance only.

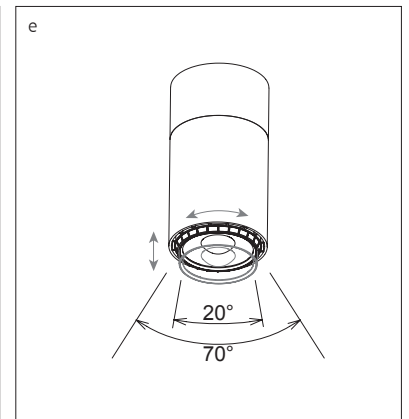
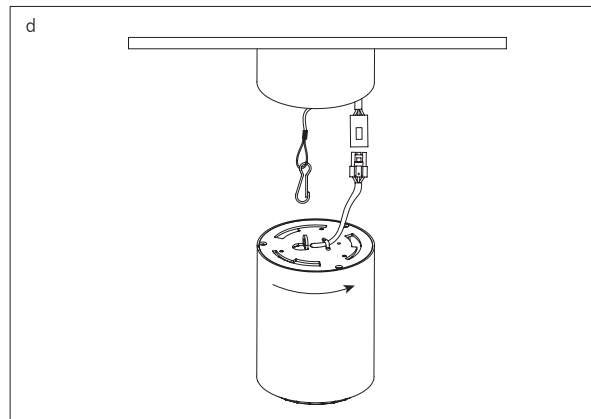
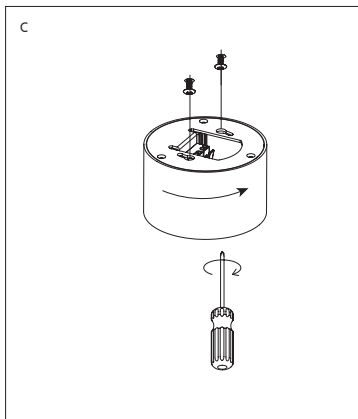
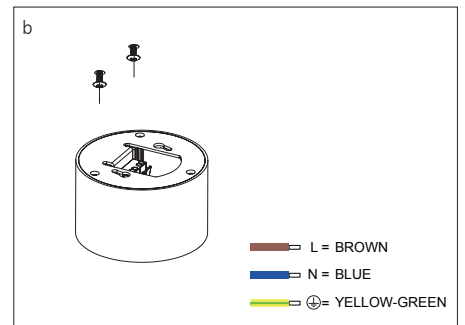
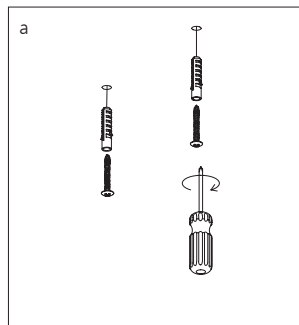


**Turn Off  
Power Supply**

Turn Off power supply before starting any installation. Read instructions & check you have all the tools & accessories to complete the installation correctly.

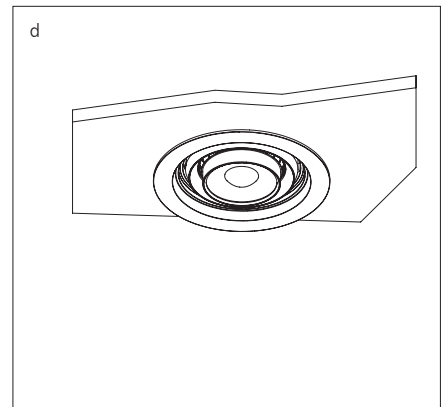
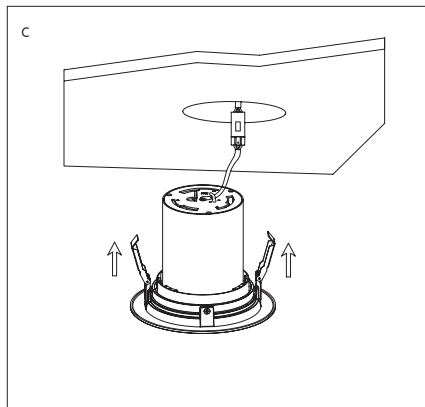
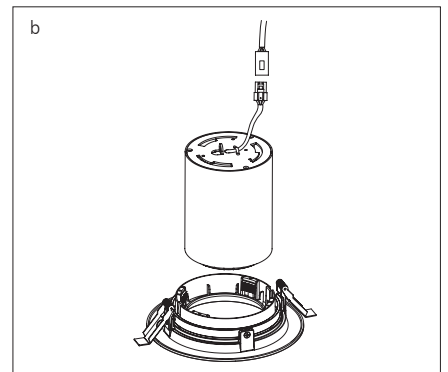
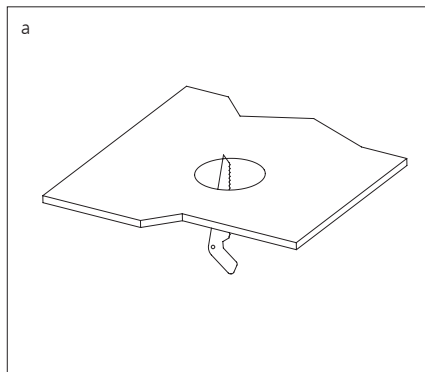
### ■ Surface mounted Installation

- a. Punch holes in the installation position(keep hole distance 55mm), knock-in the plastic anchor into the ceiling, then fix the screws(not completely).
- b. Wire "L" "N" to the terminal block.
- c. Position the base to the screws and fix them well.
- d. Connect the plug between the lamp and base, position the lamp on the base, turn the lamp clockwise until firmly fixed.
- e. Adjust the beam angle from 20°~70° according to user's need.



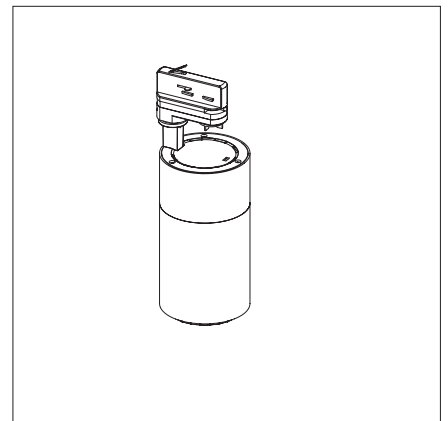
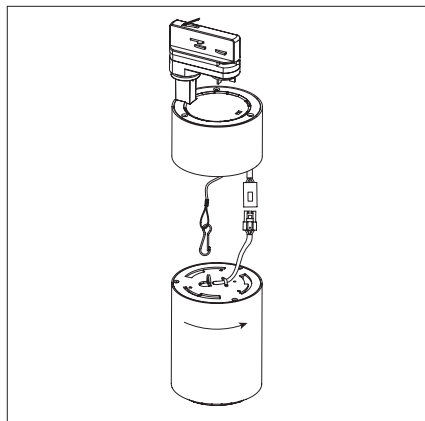
## ■ Recessed Installation

- a. Make a hole on the ceiling (cutout size 150-160mm).
- b. Fix the module on the frame.
- c. Connect the wires.
- d. Push the lamp into the ceiling, make sure the lamp is in line with the ceiling; installation complete, turn on the lamp.



## ■ Track Installation

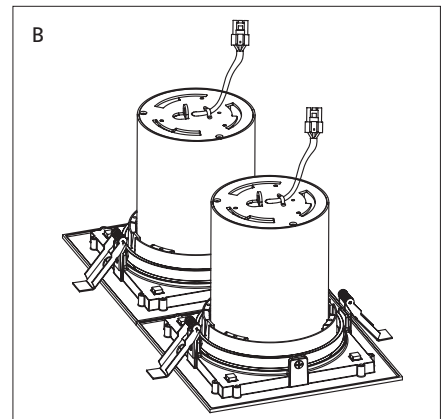
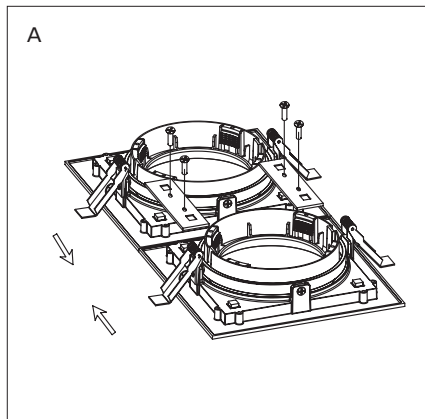
Connect the plug between the lamp and base, position the lamp on the base, turn the lamp clockwise until firmly fixed.



## ■ Splicing installation

### Splicing in rectangle:

- A. Connect the module by connection clips and fix them by screws.
- B. The next three, four....heads can be done in the same way.



**Splicing in square:**

- A. Remove one of the clips on each frame.
- B. Connect the frame by connection clips and fix them by screws.
- C. Fix the two sets frames into a square one by connection clips.
- D. Install the module into the frame.

