



# LED Downlight

## CL117/CL118 Series

**luzon**  
lighting™

# Introduction



◀ CL117&CL118 down light are designed for low mounting depth; With optional modular and interchangeable bracket, they can be combined into four types; With replaceable driver, Loop-in/out design makes the installation and maintenance easier.

## Features

1. IP54 waterproof.
2. Low mounting depth.
3. Interchangeable bracket and LED module (A: reflector type / B: lens type).
4. Easier installation for low mounting depth.
5. Replaceable driver.
6. Easy installation with push terminals.

## Application Areas

It is designed for general lighting applications in office, supermarket, shop, school, hotel, etc. It is also widely used for public areas, such as stairway, lobby, reception, corridors etc.



CL117A



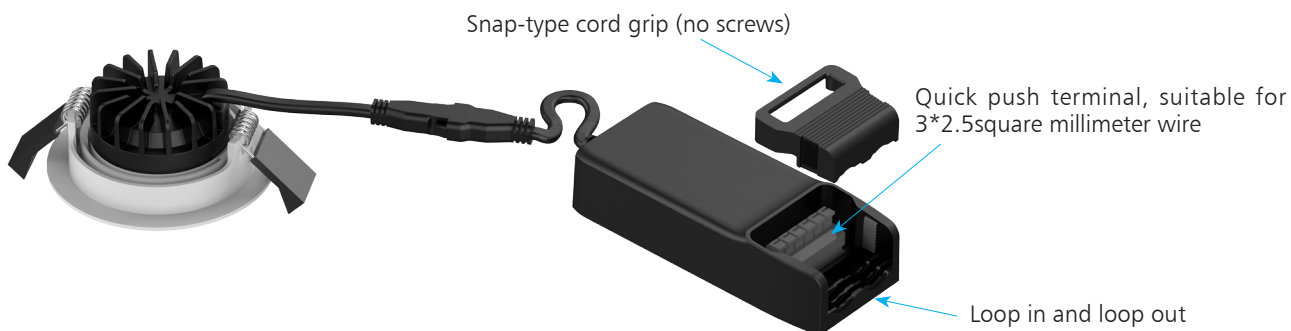
CL117B

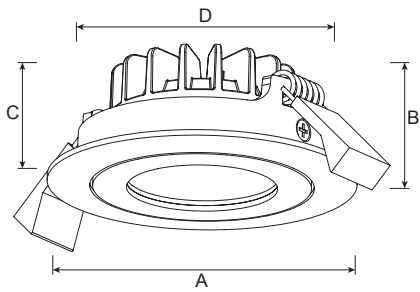


CL118A



CL118B





## Measurement

Modle	Dimension(mm)				Size(mm)	Product Weight (Kg)		Package weight (Kg)		Carton Size(cm)	Qty/CTN	20GP (pcs)	40HQ (pcs)
	A	B	C	D		N.W/PC	G.W/PC	N.W/CTN	G.W/CTN				
CL117A-2.5	80	35	32	68	Ø80*35	0.185	0.22	8.88	11.46	42*39*29	48	26880	62640
CL118A-2.5	80	33	30	68	Ø80*33	0.185	0.22	8.88	11.46				
CL117B-2.5	80	35	32	68	Ø80*35	0.19	0.225	9.12	11.7				
CL118B-2.5	80	33	30	68	Ø80*33	0.19	0.225	9.12	11.7				
CL117A-3	95	49	46	80	Ø95*49	0.25	0.32	9	12.52	50*37.5*35	36	14688	35028
CL118A-3	95	44	40	80	Ø95*44	0.245	0.315	8.82	12.34				
CL117B-3	95	49	46	80	Ø95*49	0.275	0.345	9.9	13.42				
CL118B-3	95	44	40	80	Ø95*44	0.265	0.335	9.54	13.06				

## Technical Data Sheet

Model No.	CL117A-2.5-6W CL118A-2.5-6W	CL117B-2.5-6W CL118B-2.5-6W	CL117A-3-6W CL118A-3-6W	CL117B-3-6W CL118B-3-6W	CL117A-3-8W CL118A-3-8W	CL117B-3-8W CL118B-3-8W	CL117A-3-10W CL118A-3-10W	CL117B-3-10W CL118B-3-10W		
Watt(W)	6W		6W		8W		10W			
Cutout(mm)	Ø68-75		Ø82-88		Ø82-88		Ø82-88			
Rated Input Voltage(V)	AC230V									
Input Voltage(V)	AC200-240V									
LED	SMD									
SDCM	≤6									
CCT(K)	1-CCT: 2700K / 3000K / 4000K / 5000K    3-CCT: 3000K + 4000K + 5700K									
Luminous Flux (lm) ±5%	1-CCT	Non-DIM	450~530	420~500	480~570	435~530	670~785	640~765	835~1000	780~970
		DIM	400~490	380~460	430~520	400~500	635~745	610~735	780~940	760~920
	3-CCT	Non-DIM	-	-	-	-	-	-	-	-
		DIM	-	-	-	-	-	-	-	-
CRI	≥80									
Beam Angle (°)	2.5"A: 36° / 60°, 2.5"B: 24° / 36° / 45°, 3"A: 24° / 36° / 45°, 3"B: 36° / 60°									
LED Driver	Built-out									
DIM	Yes									
CCT Selection Switch	No									
Protection Class	Class II									
IP Rating	IP54									
IK Rating	-									
Finishing color	White RAL 9016 / Brush Nickel									
Material	Aluminum									
Lifetime (hr)	50,000									
Glow wire test (°C)	650°C									
Operating Temp.(°C)	-20°C ~45°C									
Storage Temp.(°C)	-20°C ~65°C									
Installation	Recessed									
Brand Driver option	Philips, Tridonic, Meanwell									

## Driver Datasheet (Non-Dimmable)

Power	6W	8W	10W
Rated Input Voltage(V)	AC230V		
Frequency	50/60Hz		
Input Voltage	AC200-240V		
Efficiency	≥78%	≥80%	≥80%
Total load wattage	6W±0.5W	8W±0.5W	10W±1W
Power Factor	0.8	0.9	0.9
Rated Input Current	≤0.03A	≤0.05A	≤0.06A
Full load output voltage	DC28-38V		
Rated output current	140mA	175mA	230mA
Output current range	140mA±5%	175mA±5%	230mA±5%
Power tolerance	±5%		
Current output tolerance	±5%		
Short circuit protection	PASS		
Over voltage protection	PASS		
Over temperature protection	PASS		
THD	-		
Surge	L-N 500V		
Withstand voltage	AC3750V		

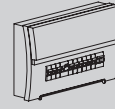
## Driver Datasheet (Triac Dimmable)

Power	6W	8W	10W
Rated Input Voltage(V)	AC230V		
Frequency	50Hz		
Input Voltage	AC200-240V		
Efficiency	≥68%	≥75%	≥77%
Total load wattage	6W±0.5W	8W±0.5W	10W±1W
Power Factor	0.8	0.85	0.85
Rated Input Current	≤0.033A	≤0.04A	≤0.05A
Full load output voltage	DC30-40V	DC23-40V	DC23-40V
Rated output current	120mA	170mA	215mA
Output current range	120mA±5%	170mA±5%	215mA±5%
Power tolerance	±5%		
Current output tolerance	±5%		
Dimming Range	10%-100%		
Short circuit protection	PASS		
Over voltage protection	PASS		
Over temperature protection	PASS		
THD	-		
Surge	L-N 500V / L,N-PE 1KV		
Withstand voltage	AC3750V		

# Installation Procedure

## WARNING

1. Switch off before installation.
2. Switch on only after complete installation and examination of the circuit.
3. Professional electrician for installation and maintenance only.

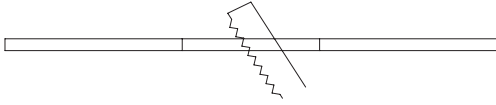


Turn Off  
Power Supply

Turn Off power supply before starting any installation. Read instructions & check you have all the tools & accessories to complete the installation correctly.

## Installation

FIG.1



2.5" cutout 68-75mm  
3" cutout 82-88mm

FIG.2

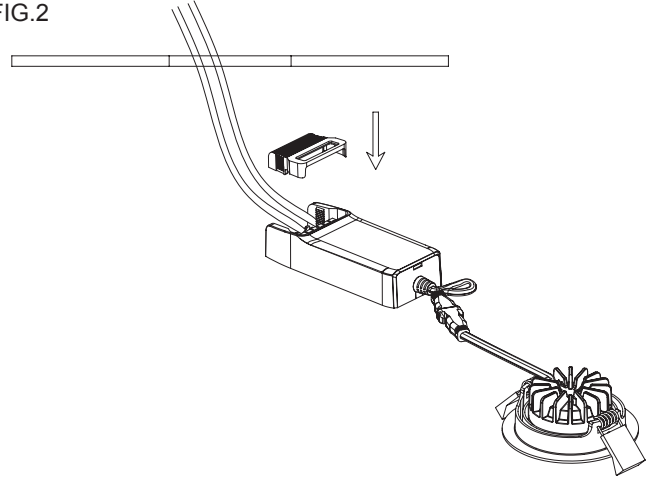


FIG.3

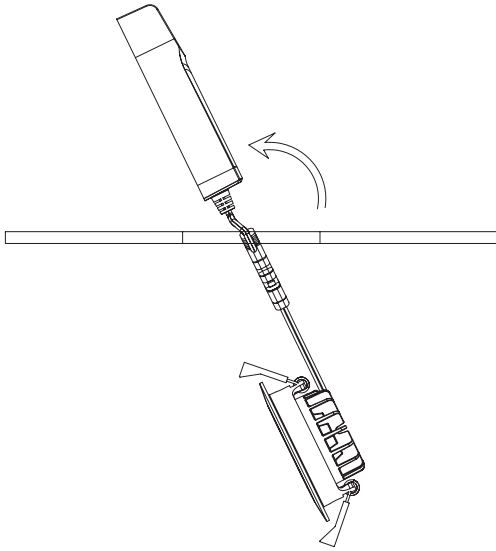


FIG.4

