

Entry /ECO

Standard /STD

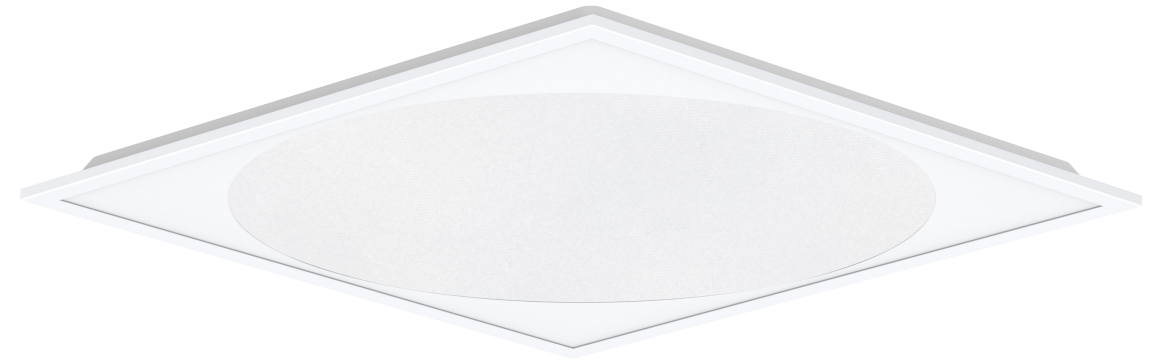
Professional/PRO

ODM & OEM

Intelligent/INT



**STD**  
Specifications



LED Panel Light  
PL-CK4 Series

**luzon**  
lighting™



## Introduction

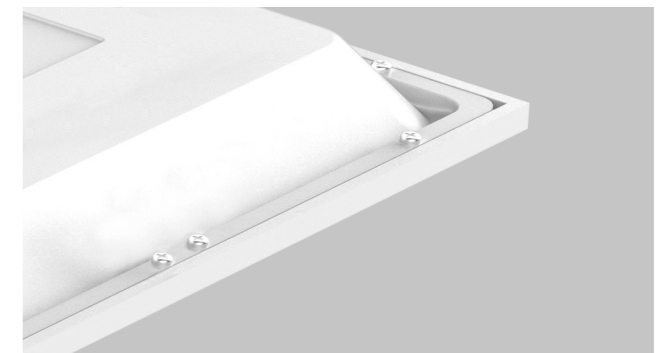
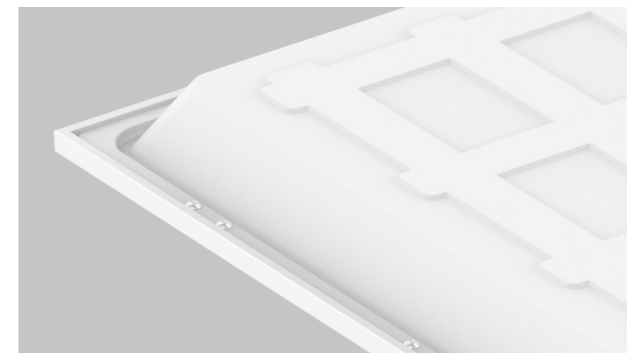
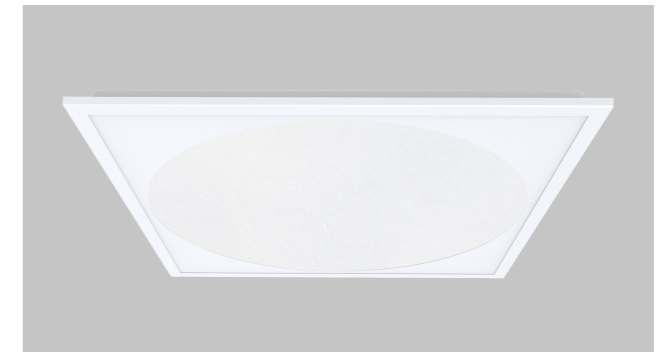
PL-CK4 LED panel is a direct lighting product, it has a special lighting design, square shape but with round-emitting surface, which provides a great decorative effect and visual effect. It makes full use of all light to reach a high lumen efficiency, and it's also more cost effective compared with side lighting LED panel light. Adopt special optical lens to offer a uniform light effect, the integrated iron plate providing excellent thermal management.

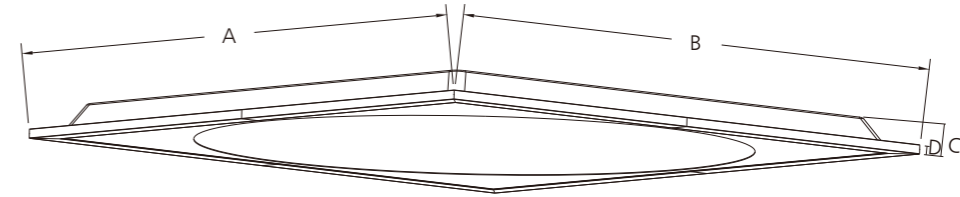
## Features

- Uniform light effect with optic lens.
- Square shape with round lighting area offers a great decorative effect.
- Anti-glare design, UGR < 19.
- Built-out flicker free driver.
- Installation: Surface mount, Pendant, Recessed.

## Application Areas

Office & school lighting: office room, meeting room, class room etc. Commercial lighting: shopping mall, super market, retailer shops etc. Other situations: hospital, laboratory, dust-free workshop etc.





## Technical Data Sheet

Code No.		PL6262-28W-CK4	
Dimension(mm)		620*620*32	
Cutout (mm)		-	
Watt(W)		28W	
Rated Input Voltage(V)		AC230V	
Input Voltage(V)		AC220-240V	
LED Module Input		33-38V DC 750mA CC	
Light Source		SMD	
SDCM		<6	
CCT(K)		1-CCT: 3000K/4000K/5000K/5700K    3-CCT: 3000K + 4000K + 5700K	
CCT Selection DIP Switch		Yes	
Luminous Flux (lm) ±5%	Non-DIM	1-CCT	2900-3250
	DIM		2750-3100
	Non-DIM	3-CCT	2750-3100
	DIM		2650-2950
CRI		≥80	
Beam Angle (°)		90°	
UGR		<19	
LED Driver		Built-out	
Dimming Option		Triac / 0-10V / DALI	
Sensor		-	
Emergency Kits		-	
Electrical Class		Class II	
Ingress Protection (IP Rating)		IP20	
Impact Resistance (IK Rating)		-	
Product Finishing(Base)		White RAL 9016	
Materials of Optics		PMMA(Lens)+PS(Diffuser)	
Materials of Housing		Aluminum(Frame)	
Lifetime (hr)		50,000h	
Glow wire test (°C)		650°C	
Operating Temp. (°C)		-10°C ~40°C	
Storage Temp. (°C)		-20°C ~65°C	
Installation		Surface mount/ Pendant/ Recessed	

## Measurement

Code	Dimension(mm)				Size(mm)	Product Weight (Kg)		Package weight (Kg)		Carton Size(cm)	Qty/CTN	20GP (pcs)	40HQ (pcs)
	A	B	C	D		N.W/PC	G.W/PC	N.W/CTN	G.W/CTN				
6262	620	620	32	9	620*620*32	3.02	3.48	15.1	18.9	68.5*29*70(1PCS/inner box)	5	975	2205
							6.63	18.1	21.1	68.5*30*70(2PCS/inner box)	6	1134	2610

## Driver Datasheet (Non-Dimmable)

Total load wattage		30W
Output	Output Voltage range	DC30-40V
	Rated output current	750mA
	Line Regulation	±5%
	Setup, Rise Time	≤1S
	Flickering Index	≤5%
Input	Input Voltage	AC220-240V
	Rated Input Voltage(V)	AC230V
	Frequency	50/60Hz
	Input Current	≤0.17A
	Rated Input Current	≤0.15A
	Power Factor	≥0.9
	THD	<20% @230V
	Efficiency	≥88%
	No load wattage	<0.5W
Protection	Short circuit protection	Pass
	Over voltage protection	Pass
	Over temperature protection	Pass
Safety & EMC	Withstand voltage	I/P-O/P:3.75KVac, <5mA 60S; I/P-FG:1.6KVac, <5mA 60S; O/P-FG:0.5KVac, <5mA 60S
	Isolation Resistance	I/P-O/P: 500VDC, ≥100M Ω
	Surge	IEC/EN61000-4-5 (P<25W; L-N:500V, L/N-PE:1KV); IEC/EN61000-4-5 (P≥25w L-N:1KV, L/N-PE:2KV)
	EMC Emission	EN55015, EN61000-3-2
	EMC Immunity	EN61000-4-2,3,4,5,6,8,11; EN61547

# Driver Datasheet (Triac Dimmable)

Total load wattage		30W
Output	Output Voltage range	DC30-40V
	Rated output current	700mA
	Line Regulation	±5%
	Setup, Rise Time	≤1S
	Flickering Index	-
Input	Input Voltage	AC220-240V
	Rated Input Voltage(V)	AC230V
	Frequency	50Hz
	Input Current	≤0.17A
	Rated Input Current	≤0.15A
	Power Factor	≥0.9
	THD	<20% @230V
	Efficiency	≥85%
	No load wattage	<1W
Protection	Short circuit protection	Pass
	Over voltage protection	Pass
	Over temperature protection	Pass
Safety &EMC	Withstand voltage	I/P-O/P:3.75KVac,<5mA 60S; I/P-FG:1.6KVac,<5mA 60S; O/P-FG:0.5KVac,<5mA 60S
	Isolation Resistance	I/P-O/P: 500VDC, ≥100M Ω
	Surge	IEC/EN61000-4-5( P<25W; L-N:500V, L/N-PE:1KV);IEC/EN61000-4-5 (P≥25w L-N:1KV, L/N-PE:2KV)
	EMC Emission	EN55015, EN61000-3-2
	EMC Immunity	EN61000-4-2,3,4,5,6,8,11; EN61547

## Installation Procedure

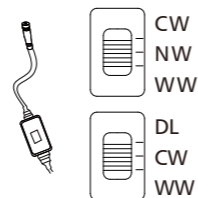
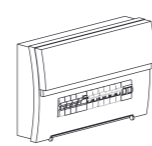
### WARNING ⚡

1. Switch off before installation.
2. Switch on only after complete installation and examination of the circuit.
3. Professional electrician for installation and maintenance only.

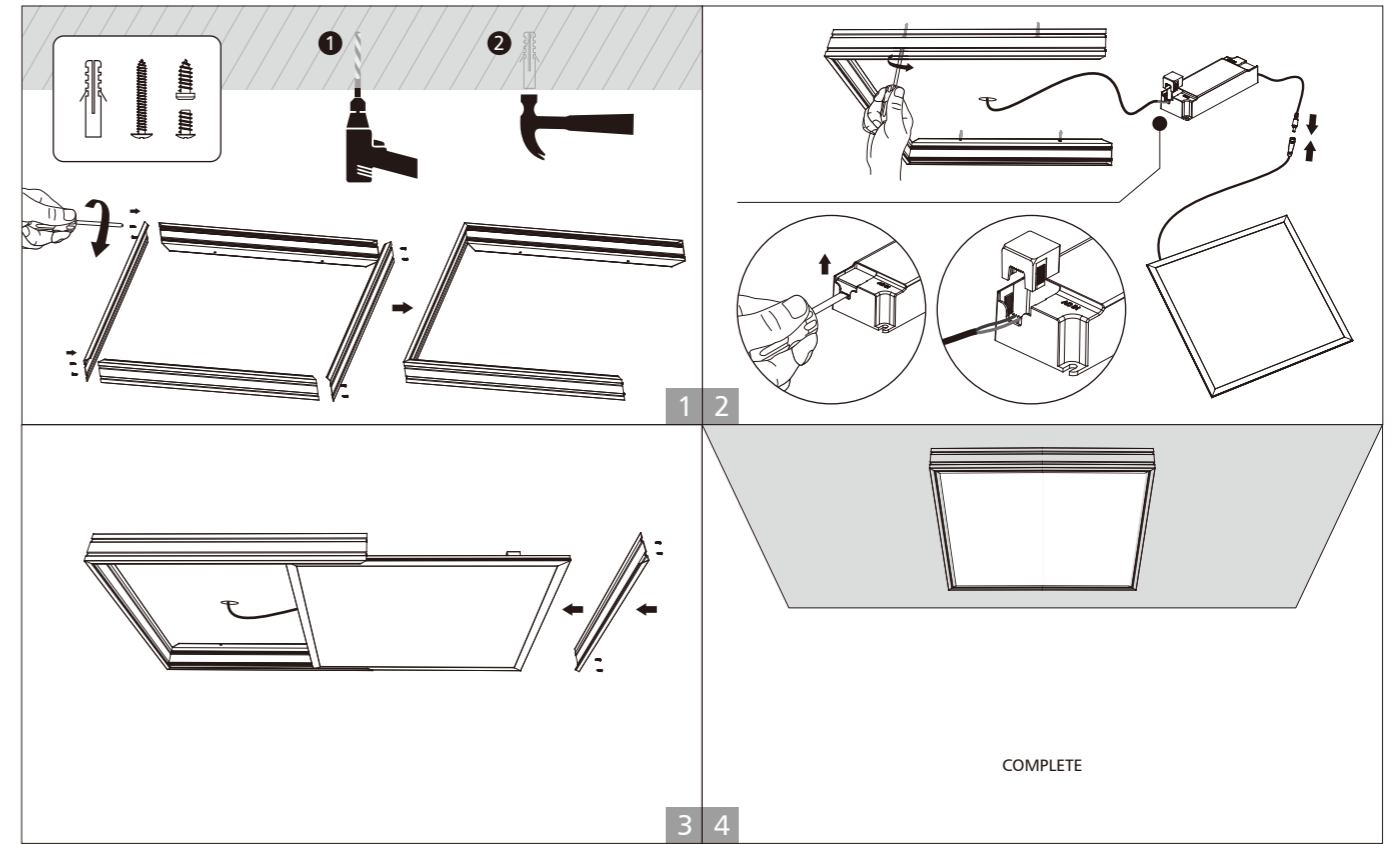
Turn Off power supply before starting any installation. Read instructions & check you have all the tools & accessories to complete the installation correctly.

For color changeable model(controlled by Slide Switch), please select light color before installation,see below picture.

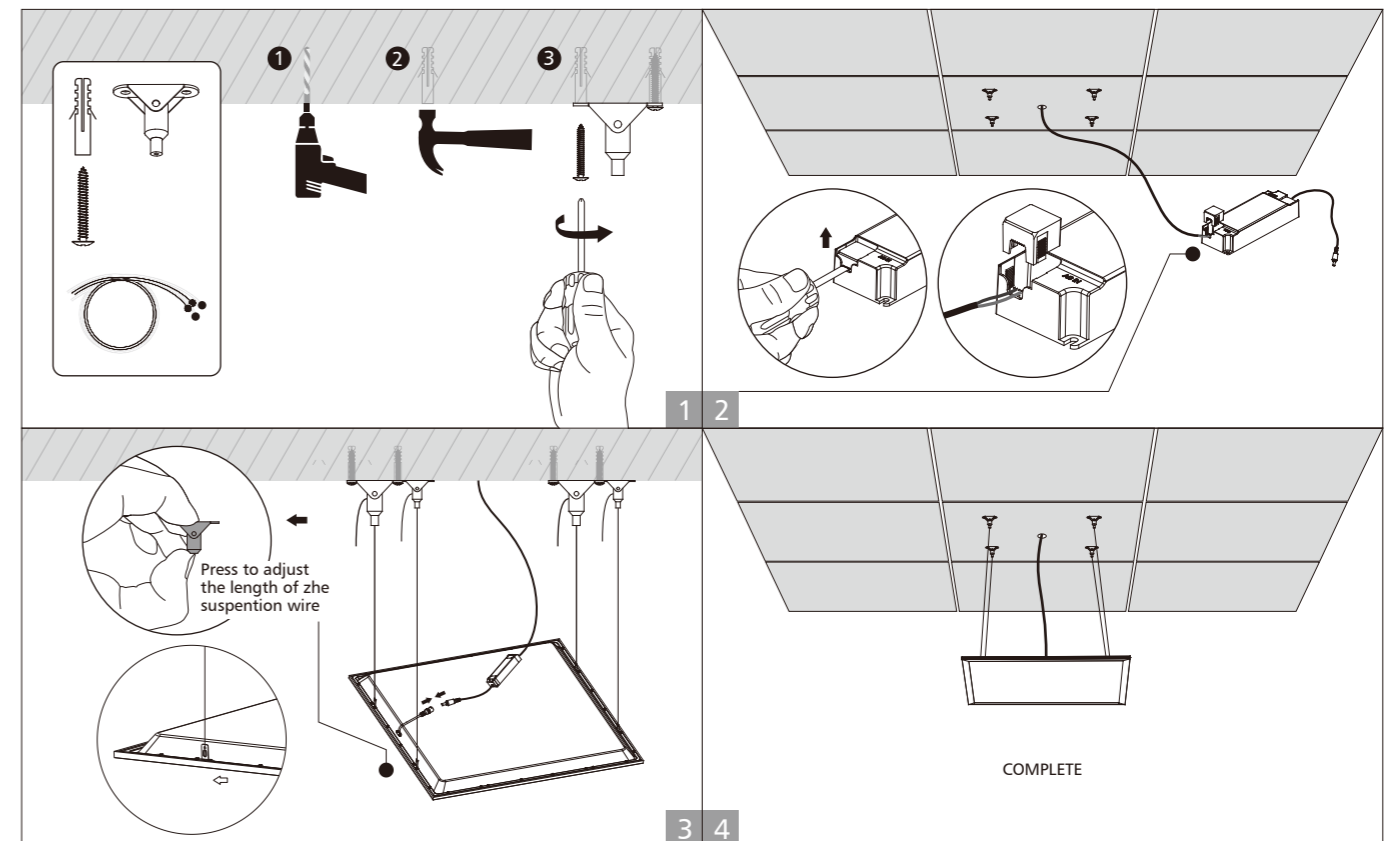
choose color by slide switch with corresponding color temperature.



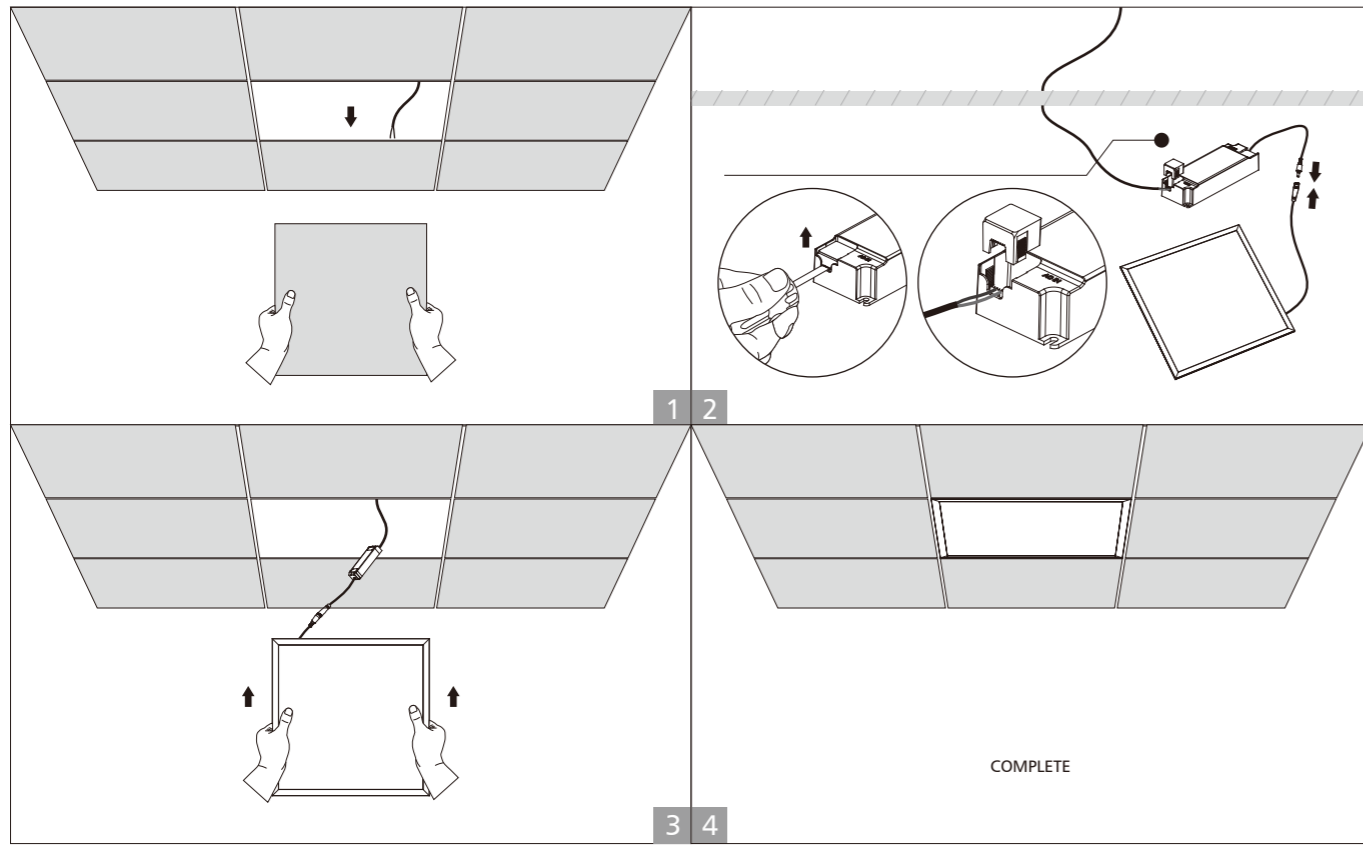
## Surface mount



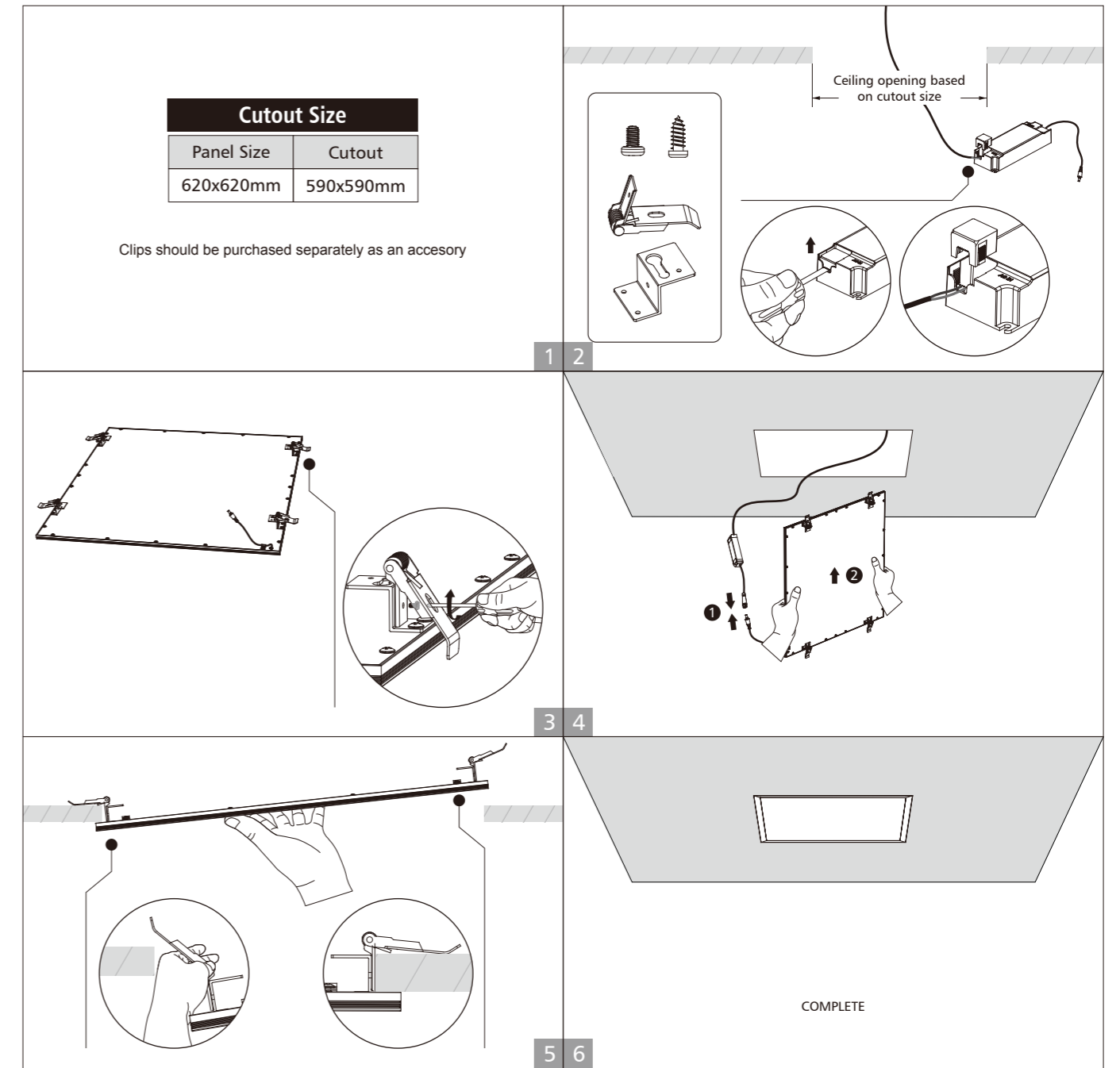
## Pendant



Recessed



Recessed(2)



**ECO**  
Specifications

**STD**  
Specifications

**PRO**  
Specifications

**ODM**  
Specifications

  
**INT**  
Intelligent