



Technical Application Guide for
LED Pendant Light
PL6012-45W-W

Introduction



Pendant led light acts as a decorative light in most applications. Elegant design creates soft lighting effect, various installation ways, such as suspended, surface mounted and recessed into ceiling. Perfect for hotels, restaurant, coffee shop etc. 300mm, 400mm, 500mm and 600mm diameter for wide choice.

- Up to 80% energy saving compared to standard CFL
- Long lifetime of 40,000 hours
- 120° wide beam angle
- CCT: 3000K 4000K
5000K 5700K
- No UV/IR light
- Environment friendly, without Mercury or any other hazardous substances

Application notes

- IP40 for indoor use only
- Professional electrician for installation only
- Switch off before installation
- Do not touch when in use
- Keep away from hot steam and corrosive gas

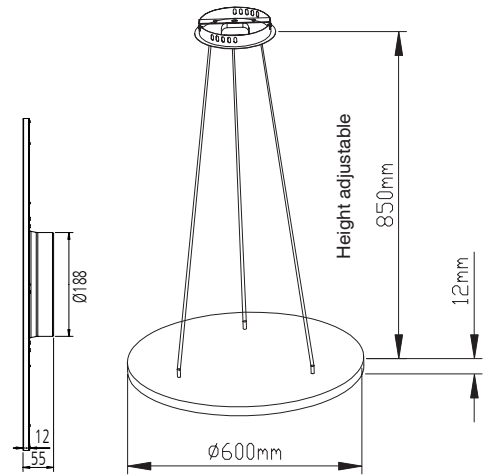
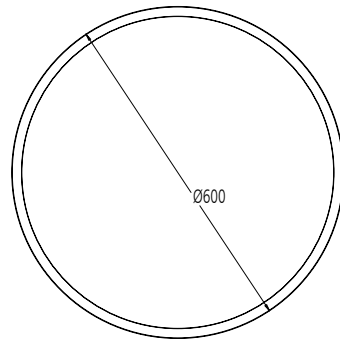
Application Areas

It is widely used for various commercial and residential lighting applications, such as office, hotel, restaurant, home lighting etc.

Certificates



Product Information



Technical Specifications

Model	Voltage	Power	Power Factor	Lumen (±5%)	Beam angle	CCT	Lifespan	CRI	Dimmable
PL6012-45W-W	AC230V	45W	≥0.9	3375	120°	3000K	40000h	≥80	No
PL6012-45W-W	AC230V	45W	≥0.9	3475	120°	4000K	40000h	≥80	No
PL6012-45W-W	AC230V	45W	≥0.9	3550	120°	5000K	40000h	≥80	No
PL6012-45W-W	AC230V	45W	≥0.9	3600	120°	5700K	40000h	≥80	No
PL6012-45WD-W	AC230V	45W	≥0.9	3240	120°	3000K	40000h	≥80	Yes
PL6012-45WD-W	AC230V	45W	≥0.9	3340	120°	4000K	40000h	≥80	Yes
PL6012-45WD-W	AC230V	45W	≥0.9	3420	120°	5000K	40000h	≥80	Yes
PL6012-45WD-W	AC230V	45W	≥0.9	3500	120°	5700K	40000h	≥80	Yes

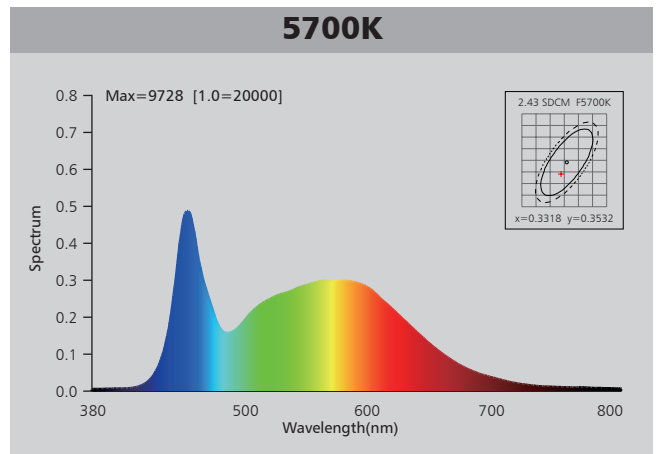
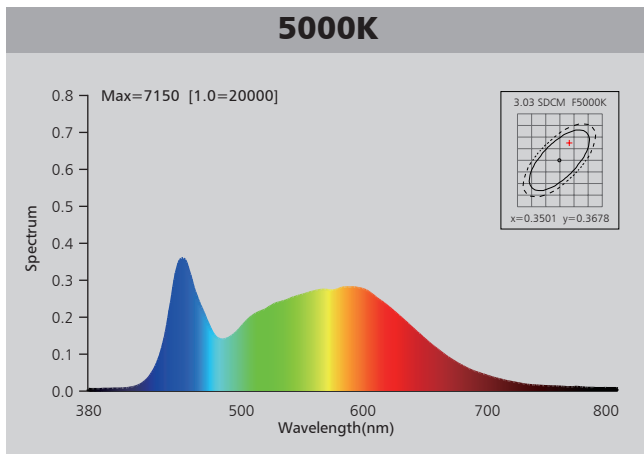
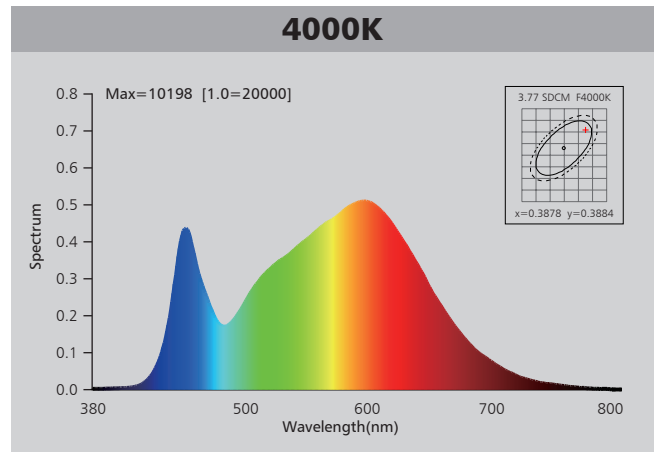
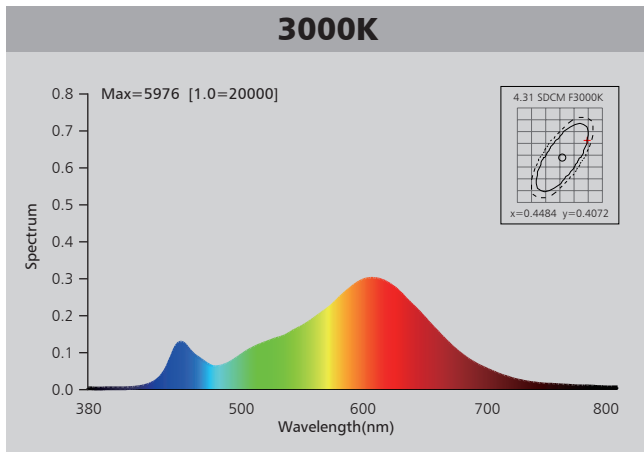
Driver data Sheet

Driver data	Dim	Non-dim
Input rated Voltage	AC230V	AC230V
Frequency	50Hz	50Hz
Input Voltage	AC200-240V	AC200-240V
Efficiency	≥83%	≥88%
Total load Wattage	45W±5%	45W±5%
Power Factor	≥0.9	≥0.9
Rated input current	≤0.25A	≤0.25A
Full load output Voltage	DC35-40V	DC24-40V
Rated output current	1000mA	1050mA
Output current range	1000mA±5%	1050mA±5%
Tolerance	±5%	±5%
Current output tolerance	±5%	±5%
Dimming range	8%-100%	—
Dimmer	Triac dimmers	—
Short circuit protection	PASS	PASS
Over voltage protection	PASS	PASS
Over temperature protection	PASS	PASS
Withstand voltage	AC1500V	AC1500V

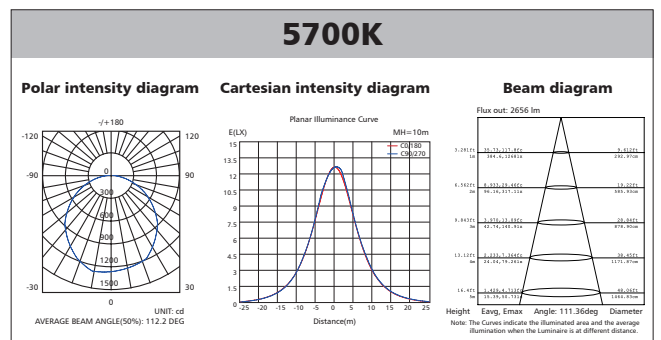
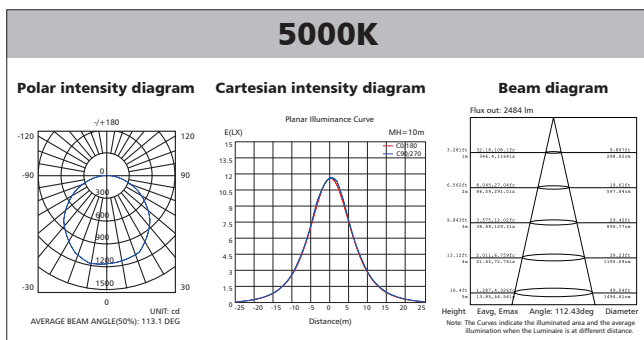
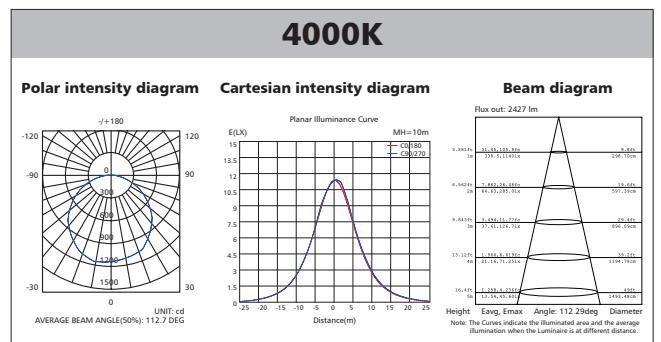
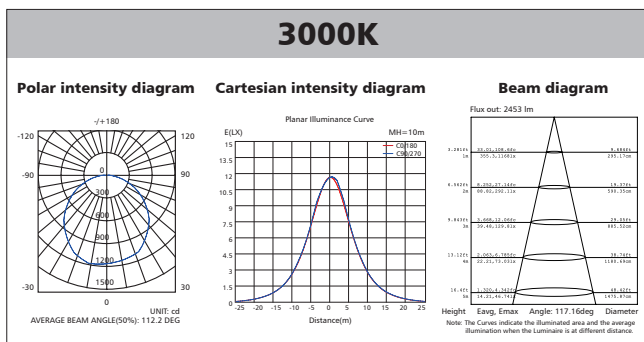
Fixture Compatibility

Rated Wattage	Electrical Classification	Ingress Protection	Operating Temp	Operating Humidity	Storage Temp
45W	I	IP40	-20°C~45°C	0~90%	-20°C~65°C

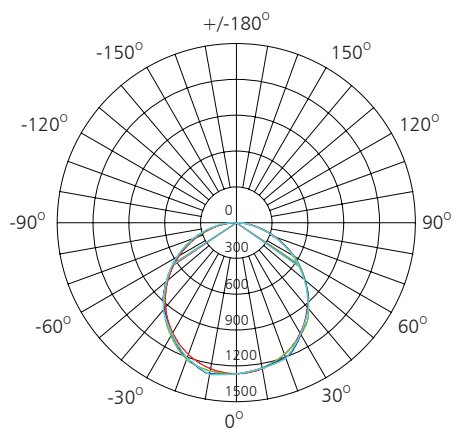
Spectral Distribution



Photometric Diagram



Polar Diagram Comparison



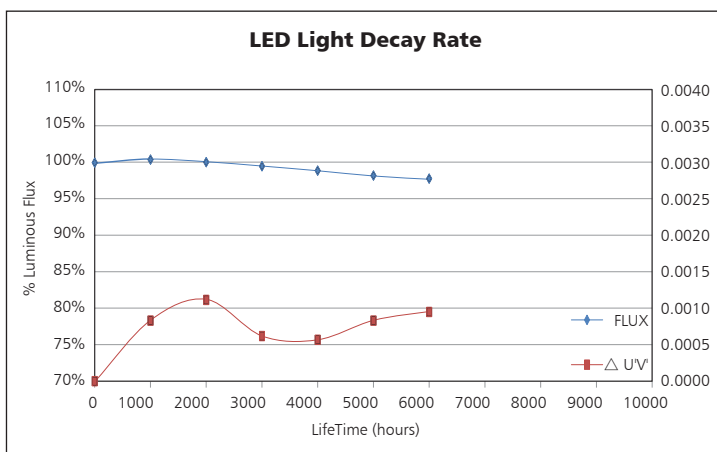
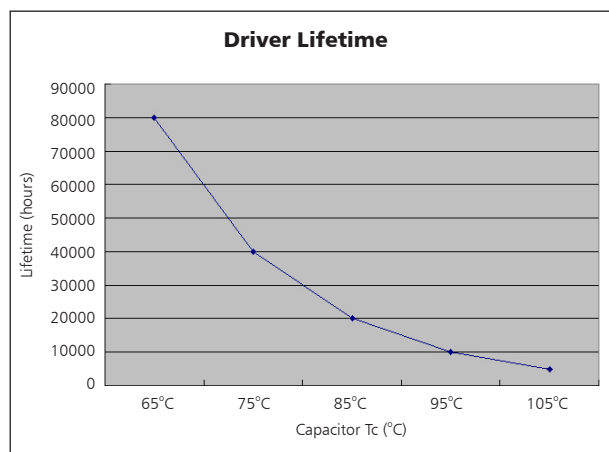
UNIT: cd

- C0/180, 112.3 deg
- C30/210, 113.3 deg
- C60/240, 111.7 deg
- C90/270, 111.4 deg

AVERAGE BEAM ANGLE (50%): 112.2DEG

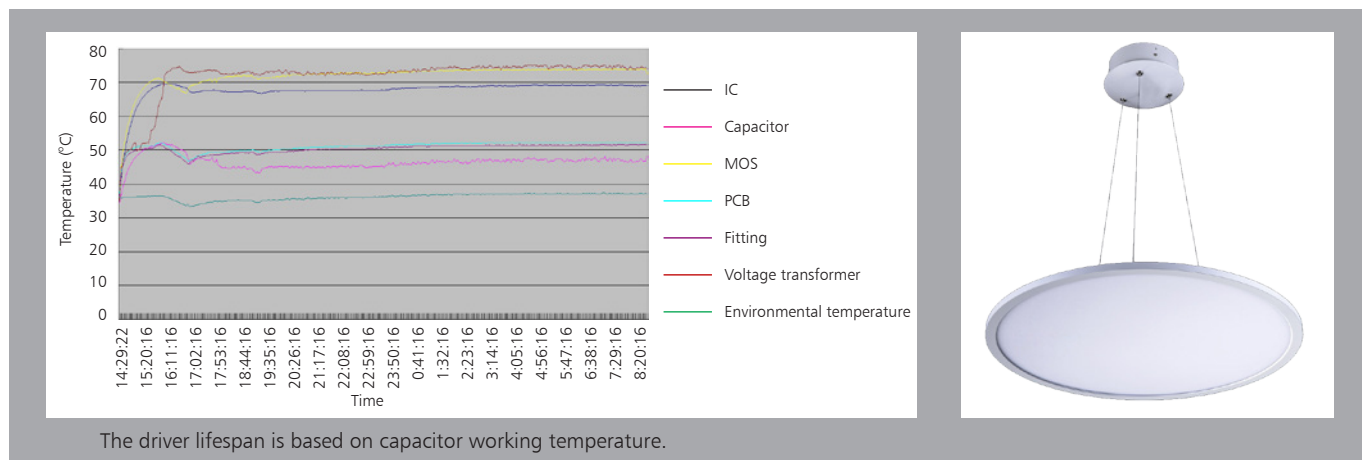


Driver lifetime & LED light decay rate



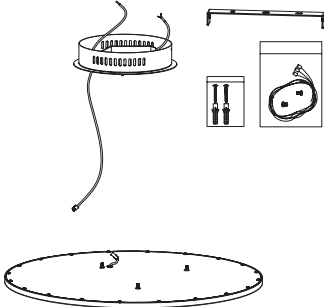
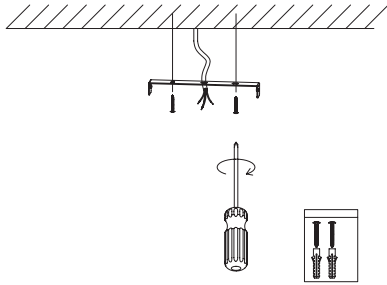
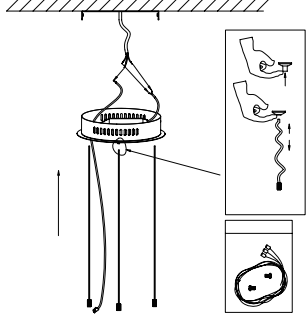
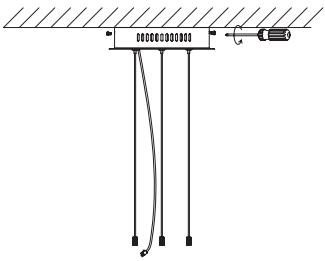
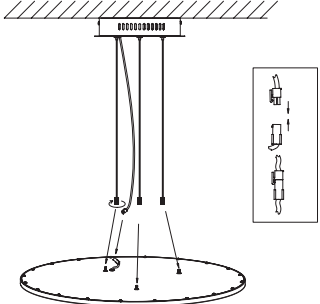
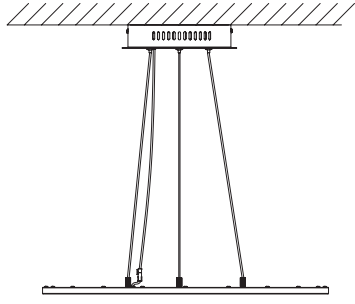
Temperature

- The testing is operated at 25°C
- The lifetime of capacitor, minimum of 5,000 hours if operated at 105°C, will be doubled whenever the temperature drops 10°C
- The highest withstand temperature of IC, MOS could be 120°C
- The highest withstand temperature of LED junction temperature is 150°C

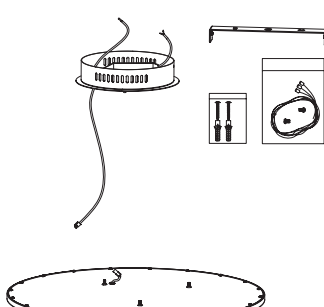
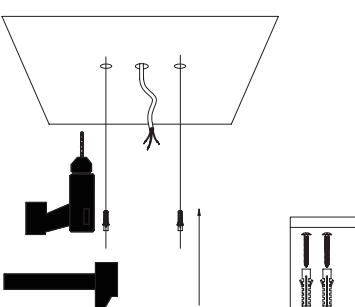
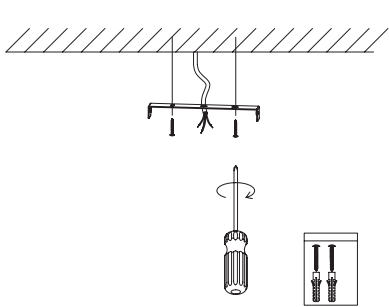
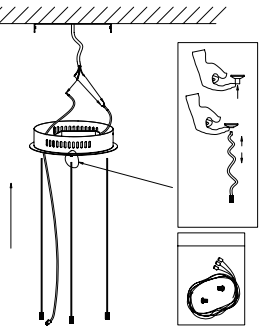
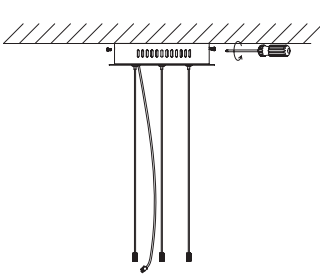
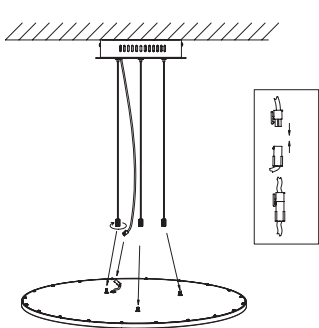


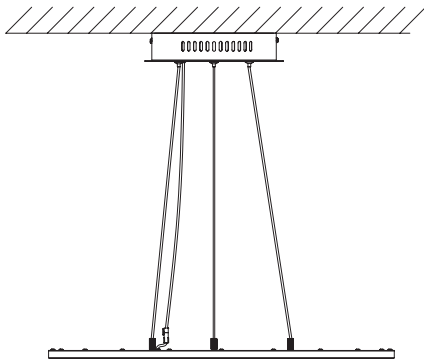
Installation

Suspended installation (Wooden ceiling):

 <p>1. Unbox panel light and accessory pack.</p>	 <p>2. Switch off, fix bracket into ceiling with screw.</p>	 <p>3. Insert the hanging wire into wall mount bracket; connect L/N/E to mains supply.</p>
 <p>4. Fix the wall mount bracket into ceiling by screw.</p>	 <p>5. Hang panel to suspending rope and connect the DC connector</p>	 <p>6. Adjust the length of hanging wire to proper height, Restore the power and switch on.</p>

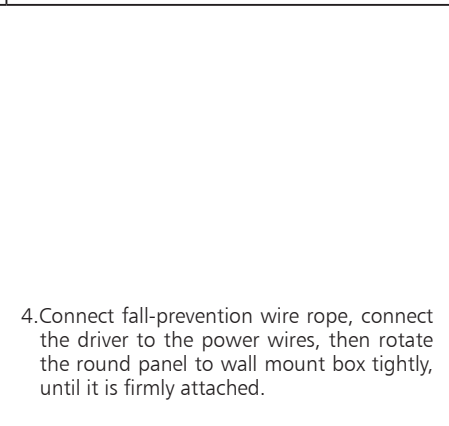
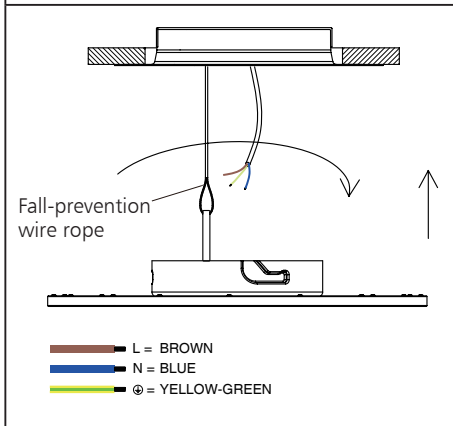
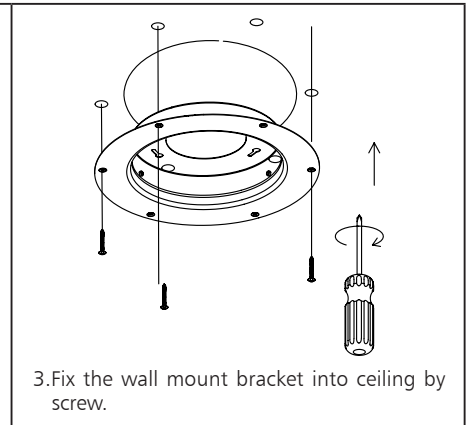
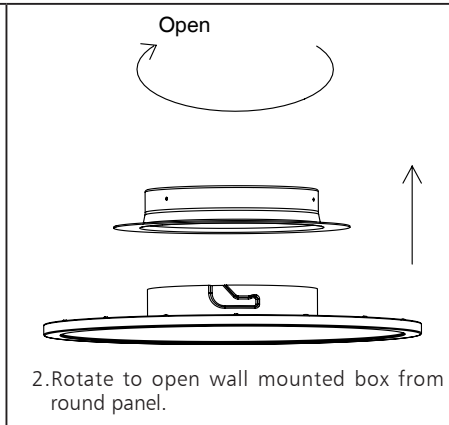
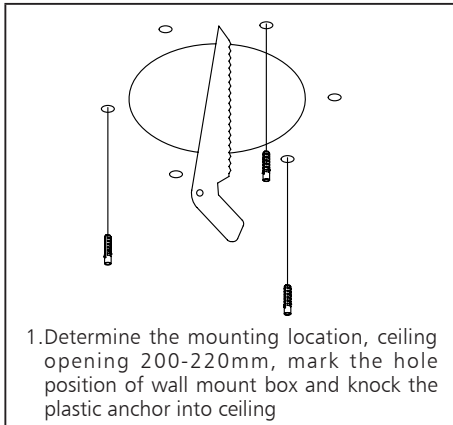
Suspended installation (Concrete ceiling):

 <p>1. Unbox panel light and accessory pack</p>	 <p>2. Power off, Punch holes and knock the plastic anchor into ceiling</p>	 <p>3. Fix bracket into ceiling with screw.</p>
 <p>4. Insert the hanging wire into wall mount bracket; connect L/N/E to mains supply.</p>	 <p>5. Fix the wall mount bracket into ceiling by screw.</p>	 <p>6. Hang panel to suspending rope and connect the DC connector</p>

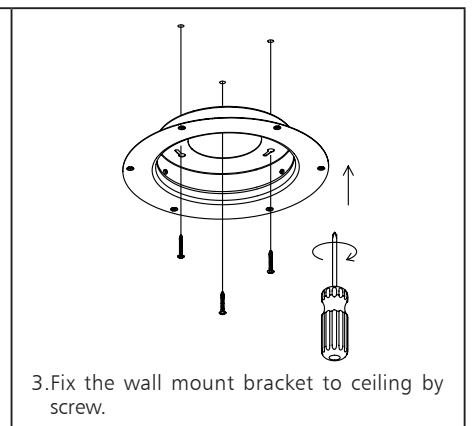
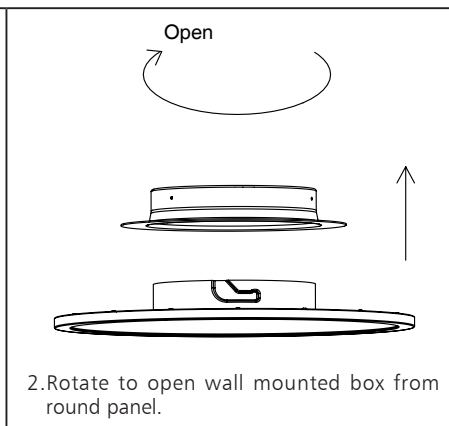
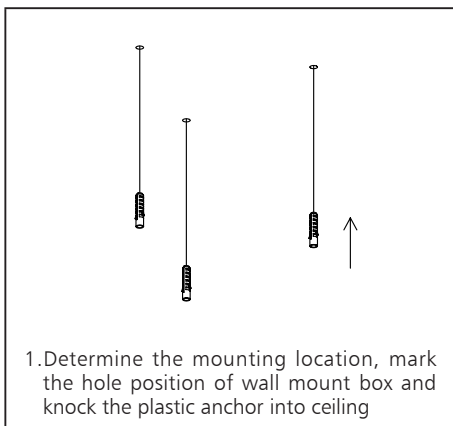


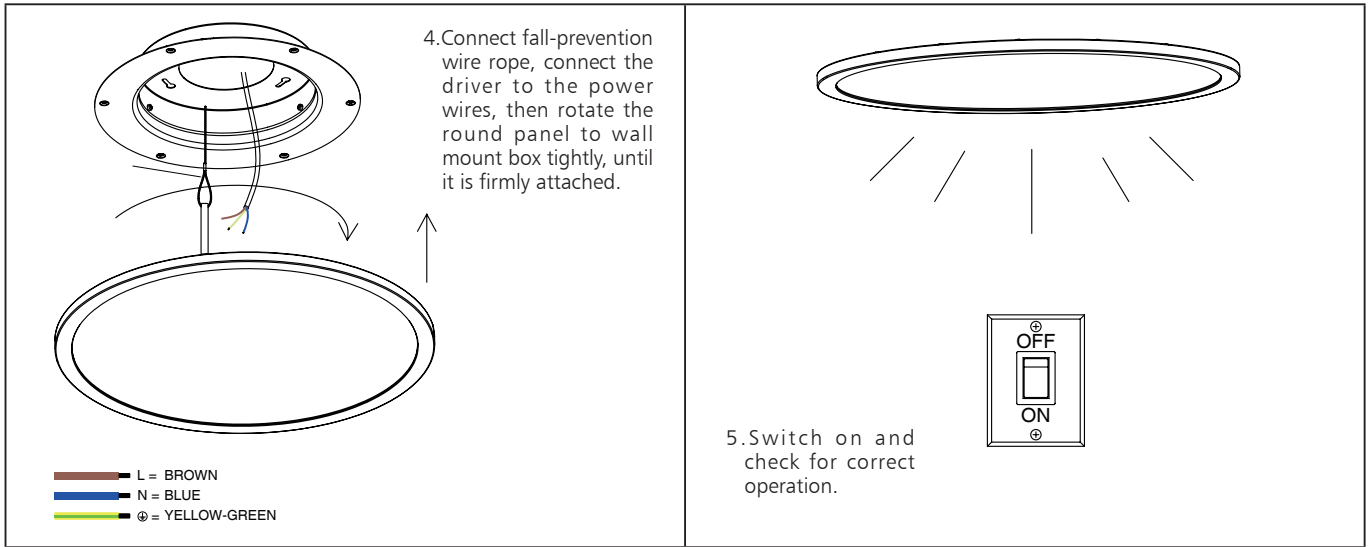
7. Adjust the length of hanging wire to proper height, Restore the power and switch on

Recessed installation:



Surface mount installation:

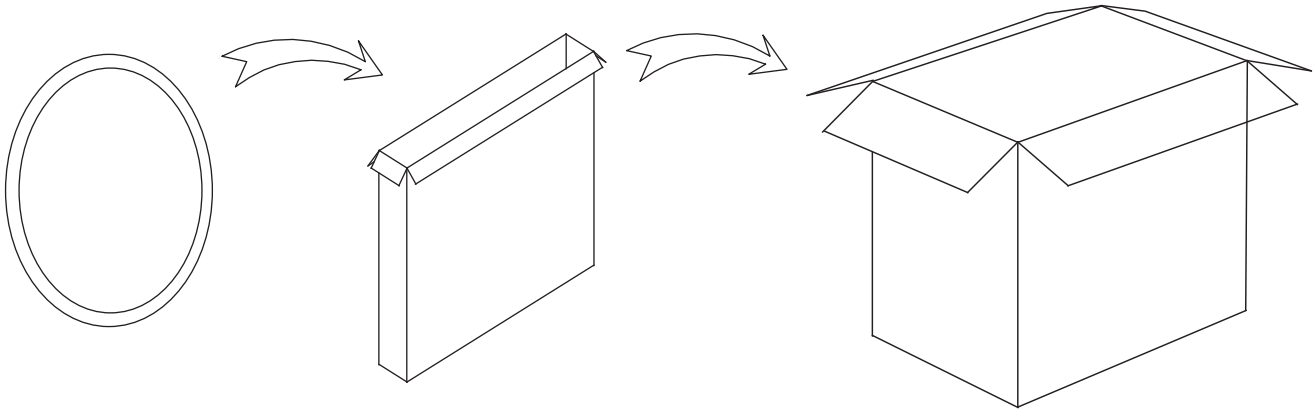




Packaging Information(Suspended)

	SIZE(CM)	N.W/pc (KGS)	G.W.(KGS)	Q'TY(PCS)
Carton	65.5*11.5*83	5.5	12.3	2

	CTNS	Q'TY(PCS)	VOLUME(CBM)
20" standard container	440	880	28
40" standard container	880	1760	56



(Surface mount & recessed)

	SIZE(CM)	N.W/pc (KGS)	G.W.(KGS)	Q'TY(PCS)
Carton	65*16.5*65	5.8	12.3	2

	CTNS	Q'TY(PCS)	VOLUME(CBM)
20" standard container	396	792	28
40" standard container	792	1584	56

