



Technical Application Guide for
LED Pendant Light
PL4012-35W-W

Introduction



Pendant led light acts as a decorative light in most applications. Elegant design creates soft lighting effect, various installation ways, such as suspended, surface mounted and recessed into ceiling. Perfect for hotels, restaurant, coffee shop etc. 300mm, 400mm, 500mm and 600mm diameter for wide choice.

- Up to 80% energy saving compared to standard CFL
- Long lifetime of 40,000 hours
- 120° wide beam angle
- CCT: 3000K 4000K
5000K 5700K
- No UV/IR light
- Environment friendly, without Mercury or any other hazardous substances

Application notes

- IP40 for indoor use only
- Professional electrician for installation only
- Switch off before installation
- Do not touch when in use
- Keep away from hot steam and corrosive gas

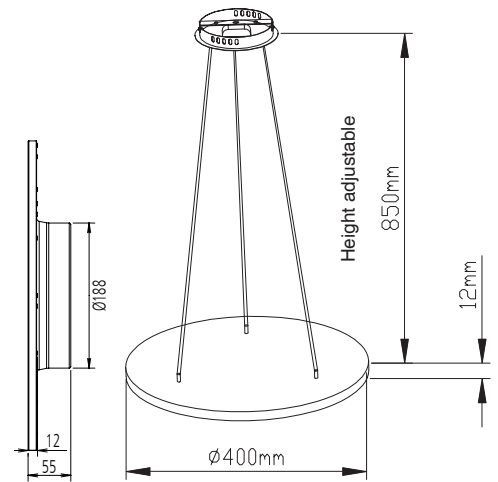
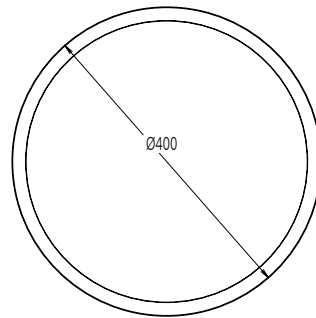
Application Areas

It is widely used for various commercial and residential lighting applications, such as office, hotel, restaurant, home lighting etc.

Certificates



Product Information



Technical Specifications

Model	Voltage	Power	Power Factor	Lumen (±5%)	Beam angle	CCT	Lifespan	CRI	Dimmable
UP-PL4012-35W-W	AC100-240V	35W	≥0.9	2870	120°	3000K	40000h	≥80	No
UP-PL4012-35W-W	AC100-240V	35W	≥0.9	2970	120°	4000K	40000h	≥80	No
UP-PL4012-35W-W	AC100-240V	35W	≥0.9	3040	120°	5000K	40000h	≥80	No
UP-PL4012-35W-W	AC100-240V	35W	≥0.9	3080	120°	5700K	40000h	≥80	No
UP-PL4012-35WD-W	AC200-240V	35W	≥0.9	2830	120°	3000K	40000h	≥80	Yes
UP-PL4012-35WD-W	AC200-240V	35W	≥0.9	2900	120°	4000K	40000h	≥80	Yes
UP-PL4012-35WD-W	AC200-240V	35W	≥0.9	2970	120°	5000K	40000h	≥80	Yes
UP-PL4012-35WD-W	AC200-240V	35W	≥0.9	3010	120°	5700K	40000h	≥80	Yes

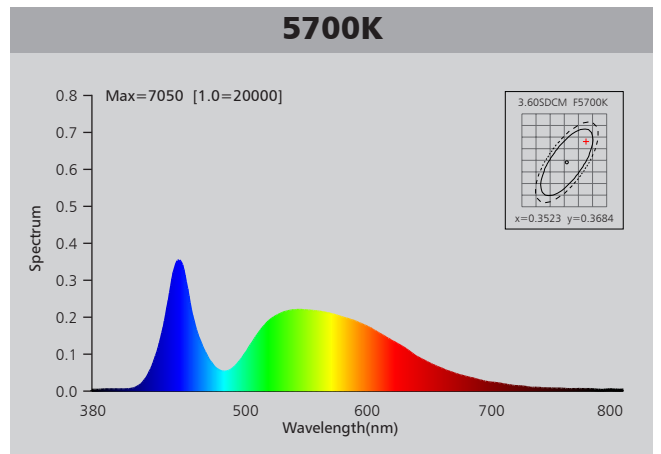
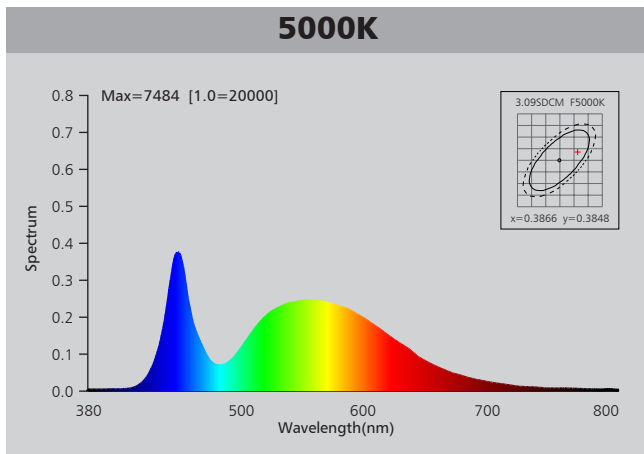
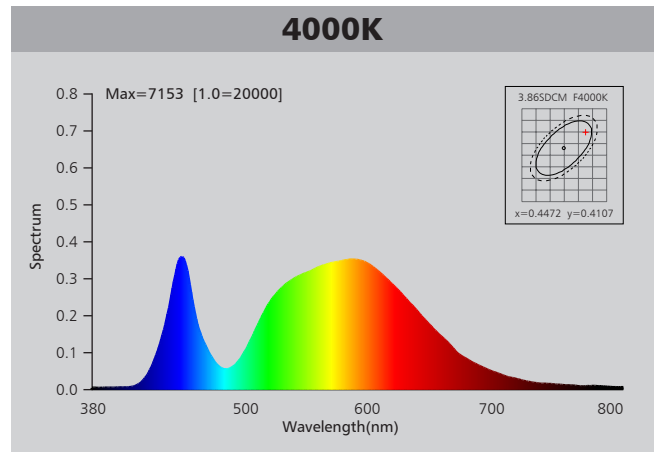
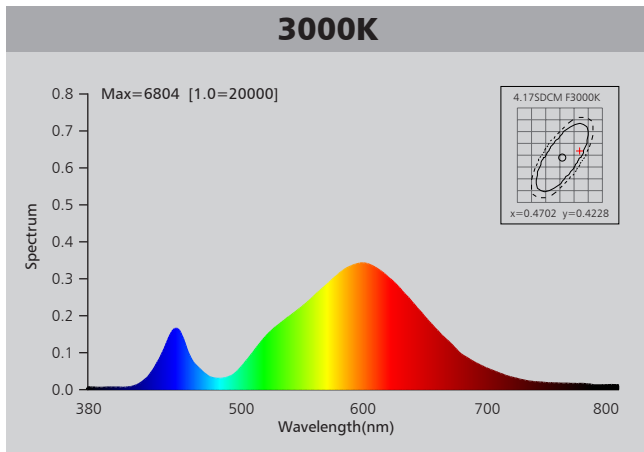
Driver data Sheet

Driver data	Dim	Non-dim
Input rated Voltage	AC230V	AC100-240V
Frequency	50Hz	50/60Hz
Input Voltage	AC200-240V	AC85-265V
Efficiency	≥83%	≥86%
Total load Wattage	35W±5%	35W±5%
Power Factor	≥0.9	≥0.9
Rated input current	≤0.17A	≤0.39A
Full load output Voltage	DC35-40V	DC35-40V
Rated output current	780mA	800mA
Output current range	780mA±5%	800mA±5%
Tolerance	±5%	±5%
Current output tolerance	±5%	±5%
Dimming range	8%-100%	—
Dimmer	Triac dimmers	—
Short circuit protection	PASS	PASS
Over voltage protection	PASS	PASS
Over temperature protection	PASS	PASS
Withstand voltage	AC1500V	AC1500V

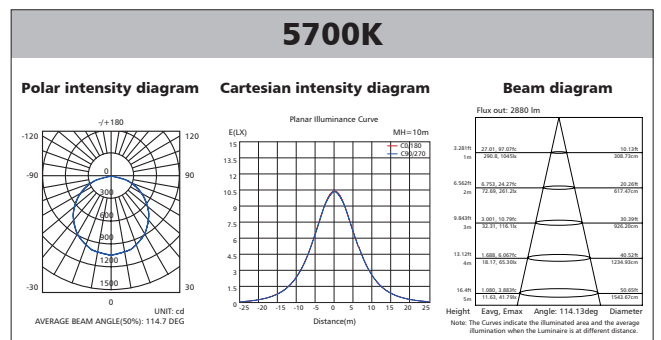
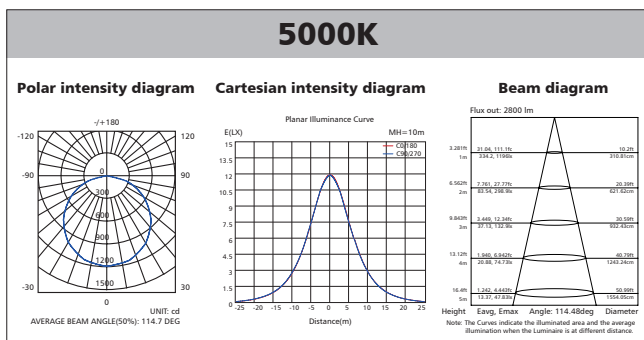
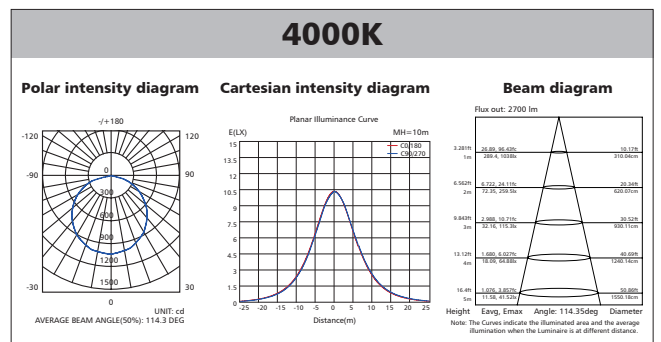
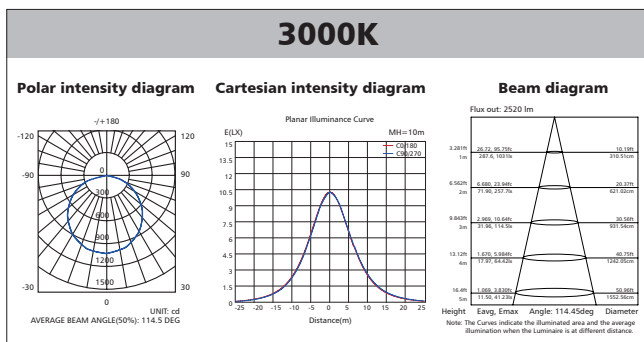
Fixture Compatibility

Rated Wattage	Electrical Classification	Ingress Protection	Operating Temp	Operating Humidity	Storage Temp
35W	I	IP40	-20°C~45°C	0~90%	-20°C~65°C

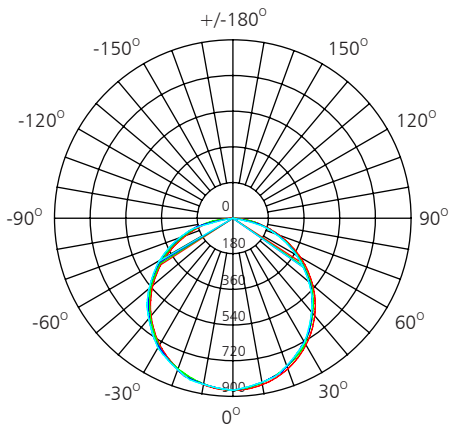
Spectral Distribution



Photometric Diagram



Polar Diagram Comparison



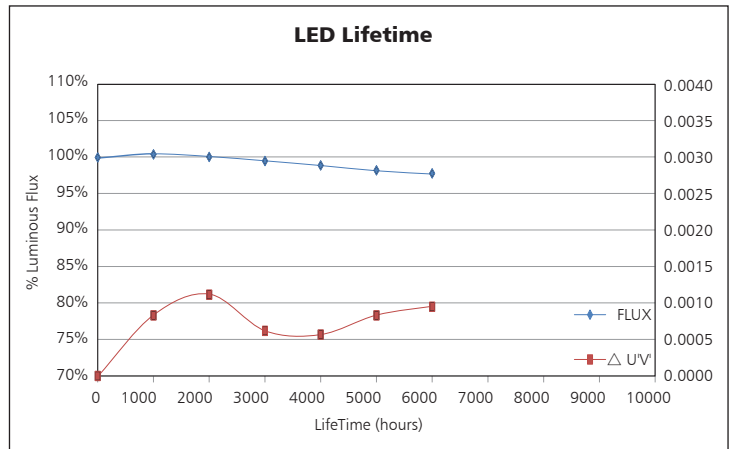
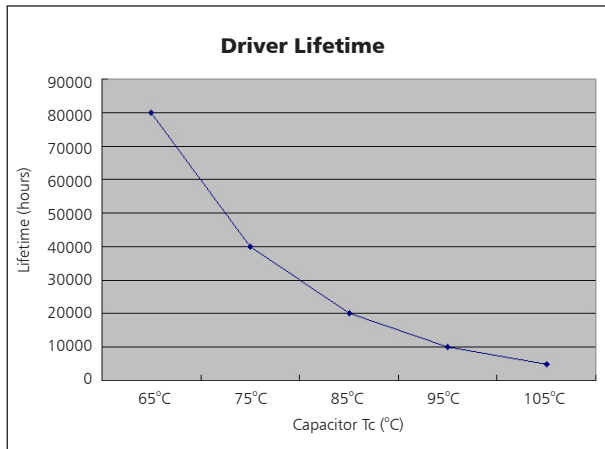
UNIT: cd

- C0/180, 114.2 deg
- C30/210, 113.8 deg
- C60/240, 114.2 deg
- C90/270, 114.6 deg

AVERAGE BEAM ANGLE (50%): 114.2DEG

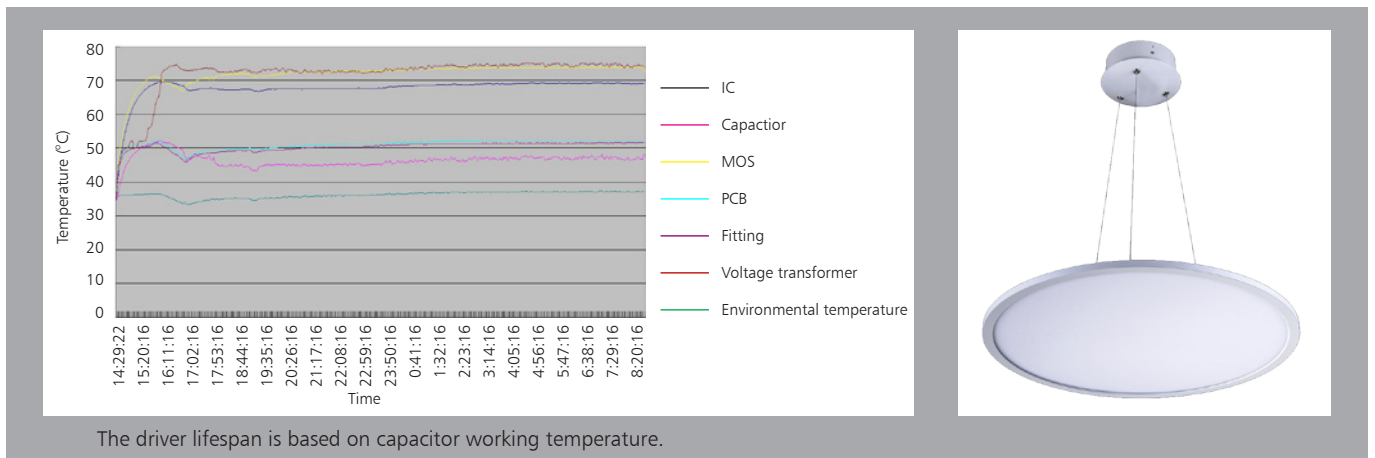


Driver lifetime & LED lifetime



Temperature

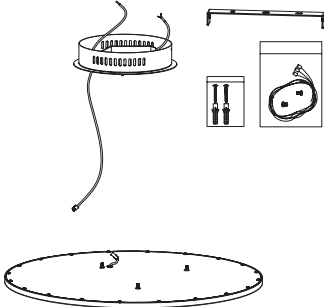
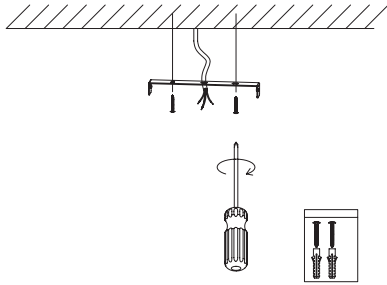
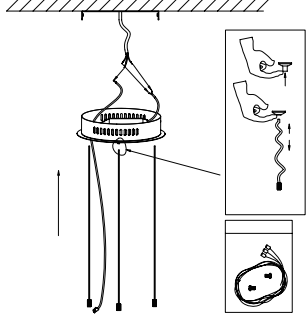
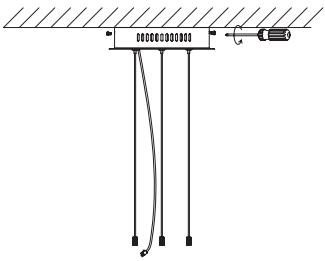
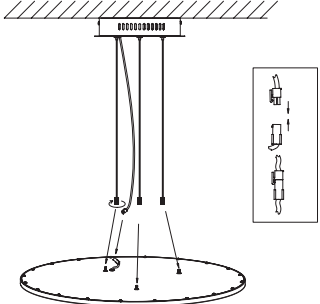
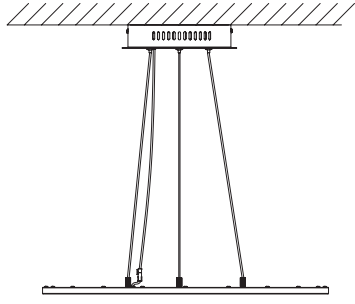
- The testing is operated at 25°C
- The lifetime of capacitor, minimum of 5,000 hours if operated at 105°C, will be doubled whenever the temperature drops 10°C
- The highest withstand temperature of IC, MOS could be 120°C
- The highest withstand temperature of LED junction temperature is 150°C



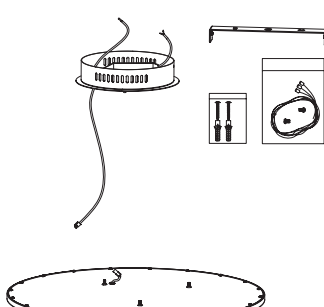
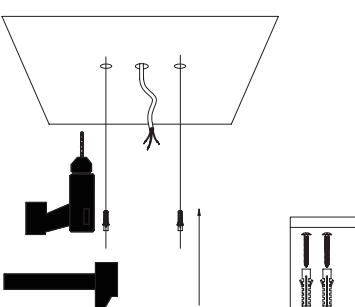
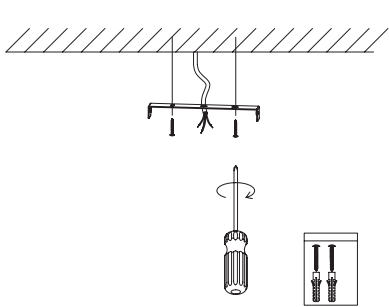
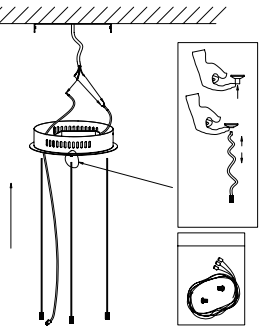
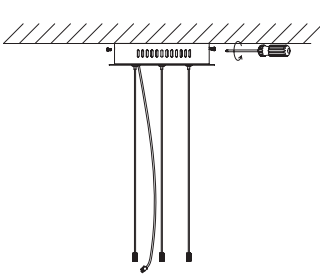
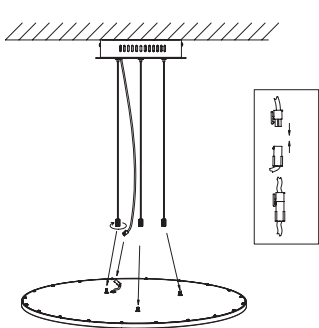
The driver lifespan is based on capacitor working temperature.

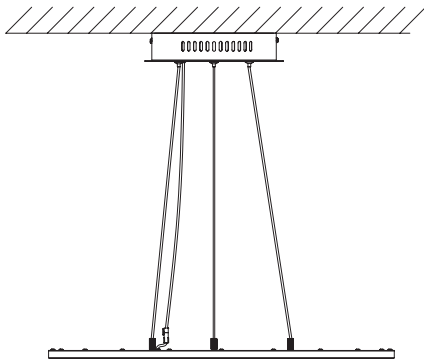
Installation

Suspended installation (Wooden ceiling):

 <p>1. Unbox panel light and accessory pack.</p>	 <p>2. Switch off, fix bracket into ceiling with screw.</p>	 <p>3. Insert the hanging wire into wall mount bracket; connect L/N/E to mains supply.</p>
 <p>4. Fix the wall mount bracket into ceiling by screw.</p>	 <p>5. Hang panel to suspending rope and connect the DC connector</p>	 <p>6. Adjust the length of hanging wire to proper height, Restore the power and switch on.</p>

Suspended installation (Concrete ceiling):

 <p>1. Unbox panel light and accessory pack</p>	 <p>2. Power off, Punch holes and knock the plastic anchor into ceiling</p>	 <p>3. Fix bracket into ceiling with screw.</p>
 <p>4. Insert the hanging wire into wall mount bracket; connect L/N/E to mains supply.</p>	 <p>5. Fix the wall mount bracket into ceiling by screw.</p>	 <p>6. Hang panel to suspending rope and connect the DC connector</p>



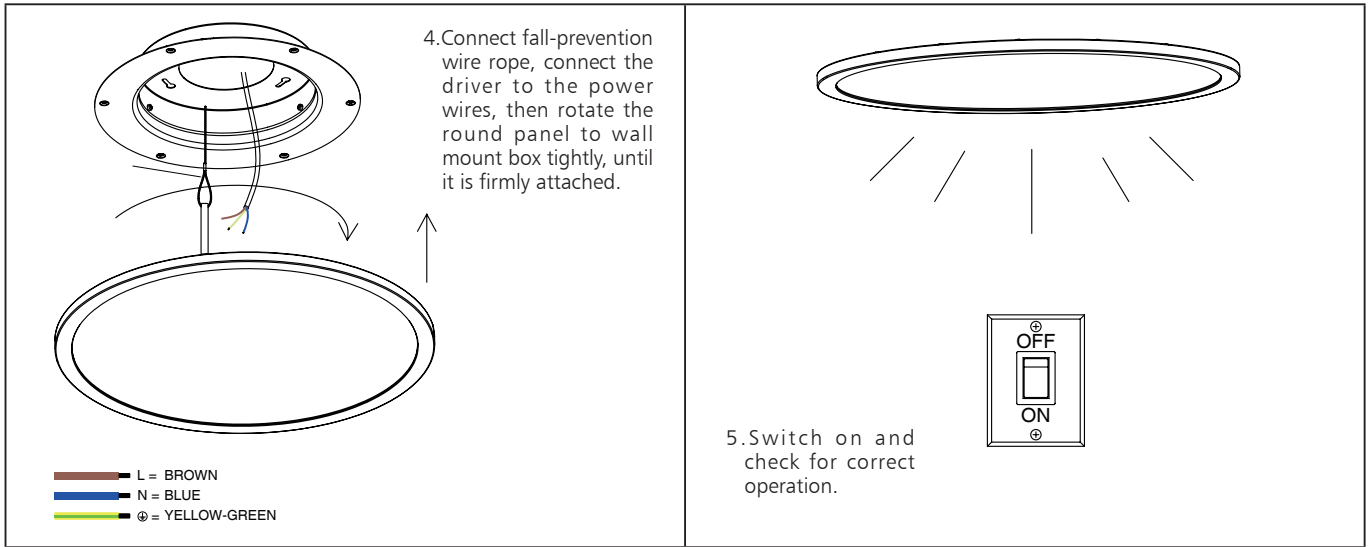
7. Adjust the length of hanging wire to proper height, Restore the power and switch on

Recessed installation:

<p>1. Determine the mounting location, ceiling opening 200-220mm, mark the hole position of wall mount box and knock the plastic anchor into ceiling</p>	<p>2. Rotate to open wall mounted box from round panel.</p>	<p>3. Fix the wall mount bracket into ceiling by screw.</p>
<p>Fall-prevention wire rope</p> <p> — L = BROWN — N = BLUE — ⊕ = YELLOW-GREEN </p> <p>4. Connect fall-prevention wire rope, connect the driver to the power wires, then rotate the round panel to wall mount box tightly, until it is firmly attached.</p>	<p>5. Switch on and check for correct operation.</p>	

Surface mount installation:

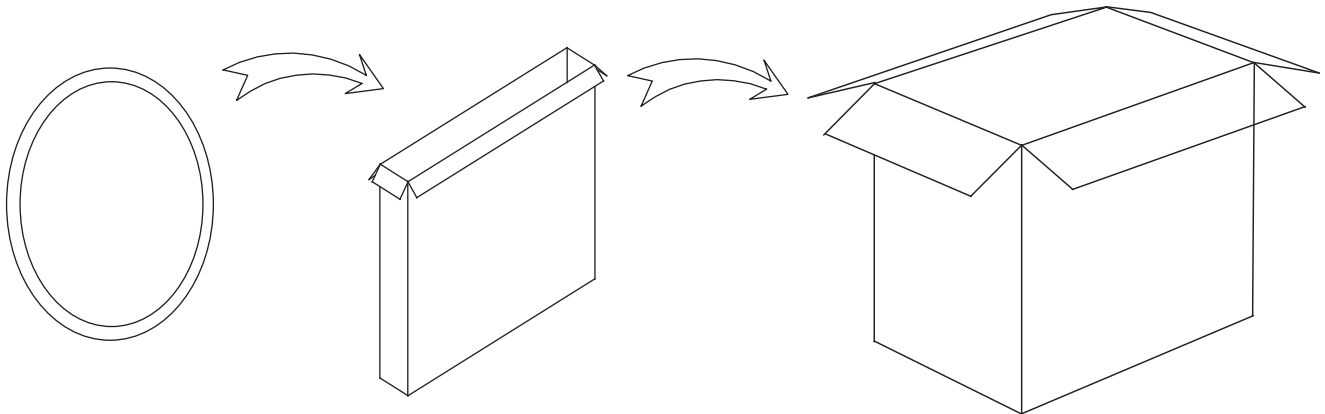
<p>1. Determine the mounting location, mark the hole position of wall mount box and knock the plastic anchor into ceiling</p>	<p>2. Rotate to open wall mounted box from round panel.</p>	<p>3. Fix the wall mount bracket to ceiling by screw.</p>
---	---	---



Packaging Information(Suspended)

	SIZE(CM)	N.W/pc (KGS)	G.W.(KGS)	Q'TY(PCS)
Carton	45.5*21.5*65	3.1	13.3	4

	CTNS	Q'TY(PCS)	VOLUME(CBM)
20" standard container	433	1732	28
40" standard container	866	3464	56



(Surface mount & recessed)

	SIZE(CM)	N.W/pc (KGS)	G.W.(KGS)	Q'TY(PCS)
Carton	46*30.5*46	3.3	13.7	4

	CTNS	Q'TY(PCS)	VOLUME(CBM)
20" standard container	426	1704	28
40" standard container	852	3408	56

