

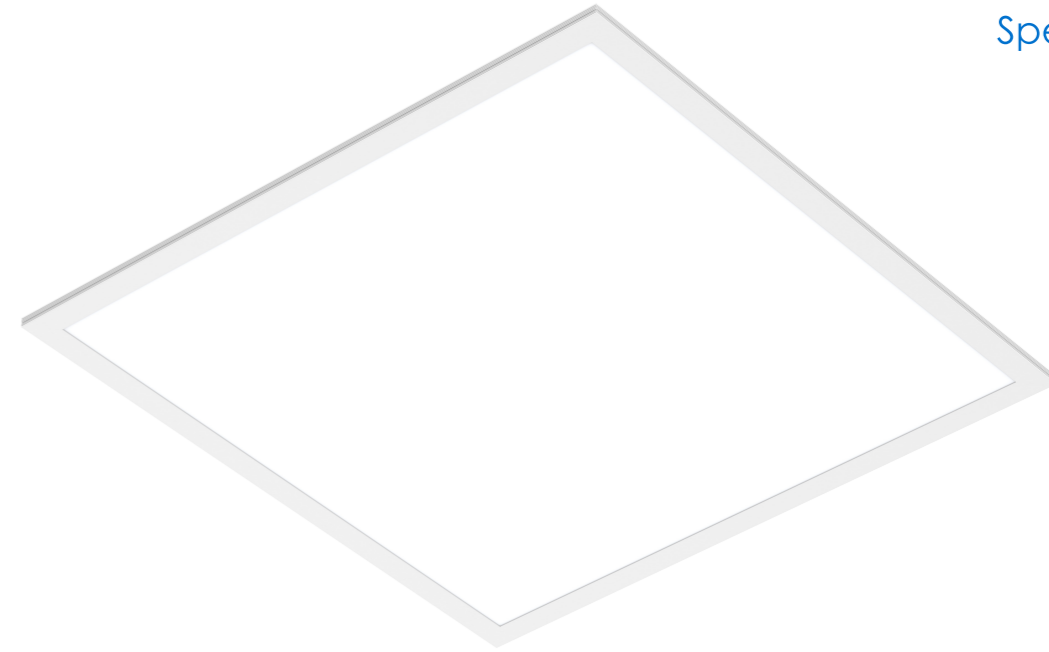
Entry /ECO

Standard /STD

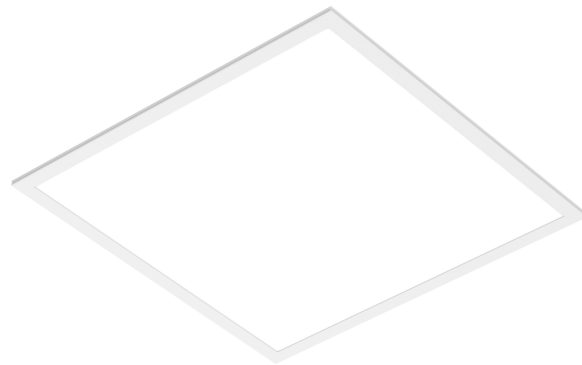
Professional/PRO

ODM & OEM

Intelligent/INT



LED Panel Light
PL-DS Series





Introduction

The panel light adopts upper and lower frame structure design to reach an IP65 waterproof effect, it has a strong structure with 10mm thickness. Upper and lower 6063 Aluminium frames provide a great thermal management to ensure a long lifespan. Besides, it has high lumen SMD light source and PMMA LGP which offer a uniform light output and avoid yellow risky. Multiple installation ways: recessed, suspended and surface mounted.

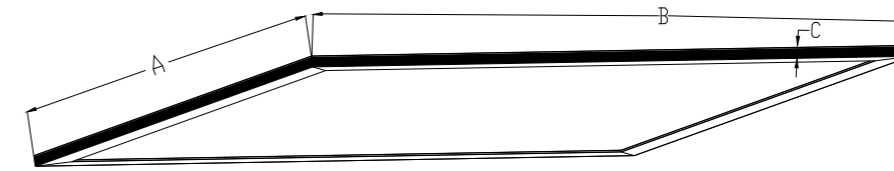
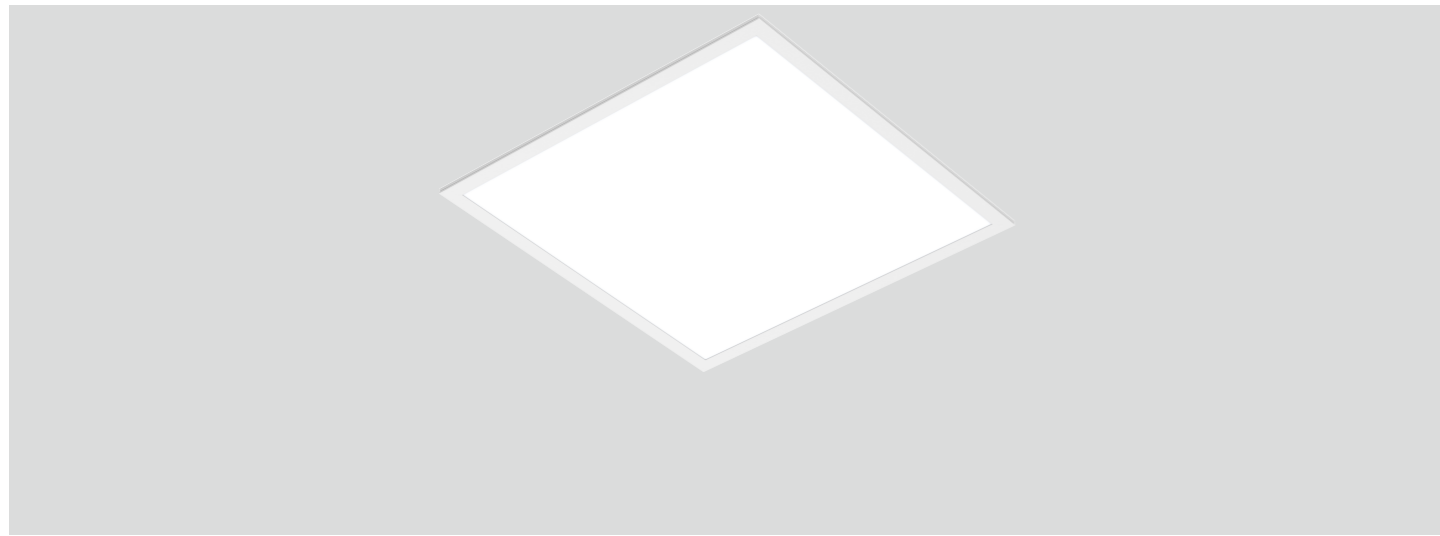
Features

- IP65 waterproof .
- PMMA LGP ensures a uniform light output.
- 100lm/w lumen efficiency.
- 120° wide beam angle.
- External IP65 flicker free driver with waterproof DC connector.
- Installation: Surface mount,Pendant,Recessed.

Application Areas

It is widely used in metro station, factory, warehouse, workshop, bathroom and other lighting area with high humidity and dusty places.





Technical Data Sheet

Code No.	PL3030-15W-DS	PL3060-20W-DS	PL6060-36W-DS	PL6262-36W-DS	PL30120-36W-DS	PL60120-60W-DS		
Dimension(mm)	295*295*10	295*595*10	595*595*10	620*620*10	295*1195*10	595*1195*10		
Cutout (mm)	-							
Watt(W)	15W	20W	36W	36W	36W	60W		
Rated Input Voltage(V)	AC230V							
Input Voltage(V)	AC200-240V							
LED Module Input	33-38V DC 350mA CC	33-38V DC 500mA CC	33-38V DC 900mA CC	33-38V DC 900mA CC	33-38V DC 900mA CC	33-38V DC 1500mA CC		
Light Source	SMD							
SDCM	<6							
CCT(K)	1-CCT: 3000K/4000K/5000K/5700K							
CCT Selection DIP Switch	-							
Luminous Flux (lm) ±5%	Non-DIM	1-CCT	1125-1275	1600-1800	3240-3600	3240-3600	3240-3600	5700-6300
	DIM		-					
	Non-DIM	3-CCT	-					
	DIM		-					
CRI	≥80							
Beam Angle (°)	120°							
UGR	-							
LED Driver	Built-out							
Dimming Option	No							
Sensor	No							
Emergency Kits	No							
Electrical Class	Class II							
Ingress Protection (IP Rating)	IP65							
Impact Resistance (IK Rating)	-							
Product Finishing(Base)	White RAL 9016							
Materials of Optics	PMMA (LGP) / PS(Diffuser)							
Materials of Housing	Aluminum(Frame)							
Lifetime (hr)	40,000h							
Glow wire test (°C)	-							
Operating Temp. (°C)	-10°C ~40°C							
Storage Temp. (°C)	-20°C ~50°C							
Installation	Surface mount/ Pendant/ Recessed							

Measurement

Code	Dimension(mm)			Size(mm)	Product Weight (Kg)		Package weight (Kg)		Carton Size(cm)	Qty/CTN	20GP (pcs)	40HQ (pcs)
	A	B	C		N.W/PC	G.W/PC	N.W/CTN	G.W/CTN				
3030	295	295	10	295*295*10	1.07	1.24	10.7	13.3	61*36*40	10	2900	7260
3060	295	595	10	295*595*10	1.8	2.08	9.0	11.3	66*31*40	5	1550	3870
6060	595	595	10	595*595*10	3.23	3.66	12.9	15.7	66*25*70	4	936	2136
6262	620	620	10	620*620*10	3.47	3.93	13.9	16.9	68.5*25*72.5	4	912	2076
30120	295	1195	10	295*1195*10	3.35	3.88	13.4	16.7	126.5*25*40	4	860	1992
60120	595	1195	10	595*1195*10	6.43	7.36	12.9	16.2	127.5*13.5*70.5	2	438	936

Driver Datasheet (Non-Dimmable)

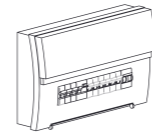
Total load wattage		15W	20W	36W	60W
Output	Output Voltage range	DC28-42V			
	Rated output current	350mA	500mA	900mA	1500mA
	Line Regulation	±5%			
	Setup, Rise Time	≤1S			
	Flickering Index	≤5%			
Input	Input Voltage	AC200-240V			
	Rated Input Voltage(V)	AC230V			
	Frequency	50/60Hz			
	Input Current	≤0.089A	≤0.117A	≤0.21A	≤0.35A
	Rated Input Current	≤0.077A	≤0.101A	≤0.183A	≤0.31A
	Power Factor	≥0.9			
	THD	<20% @230V			
	Efficiency	≥90%			
	No load wattage	<0.5W			
	Protection	Short circuit protection	Pass		
Over voltage protection		Pass			
Over temperature protection		Pass			
Safety & EMC	Withstand voltage	I/P-O/P:3.75KVac, <5mA 60S; I/P-FG:1.6KVac, <5mA 60S; O/P-FG:0.5KVac, <5mA 60S			
	Isolation Resistance	I/P-O/P: 500VDC, ≥100M Ω			
	Surge	IEC/EN61000-4-5(P<25W; L-N:500V, L/N-PE:1KV); IEC/EN61000-4-5 (P≥25w L-N:1KV, L/N-PE:2KV)			
	EMC Emission	EN55015, EN61000-3-2			
EMC Immunity	EN61000-4-2,3,4,5,6,8,11; EN61547				

Installation Procedure

WARNING ⚡

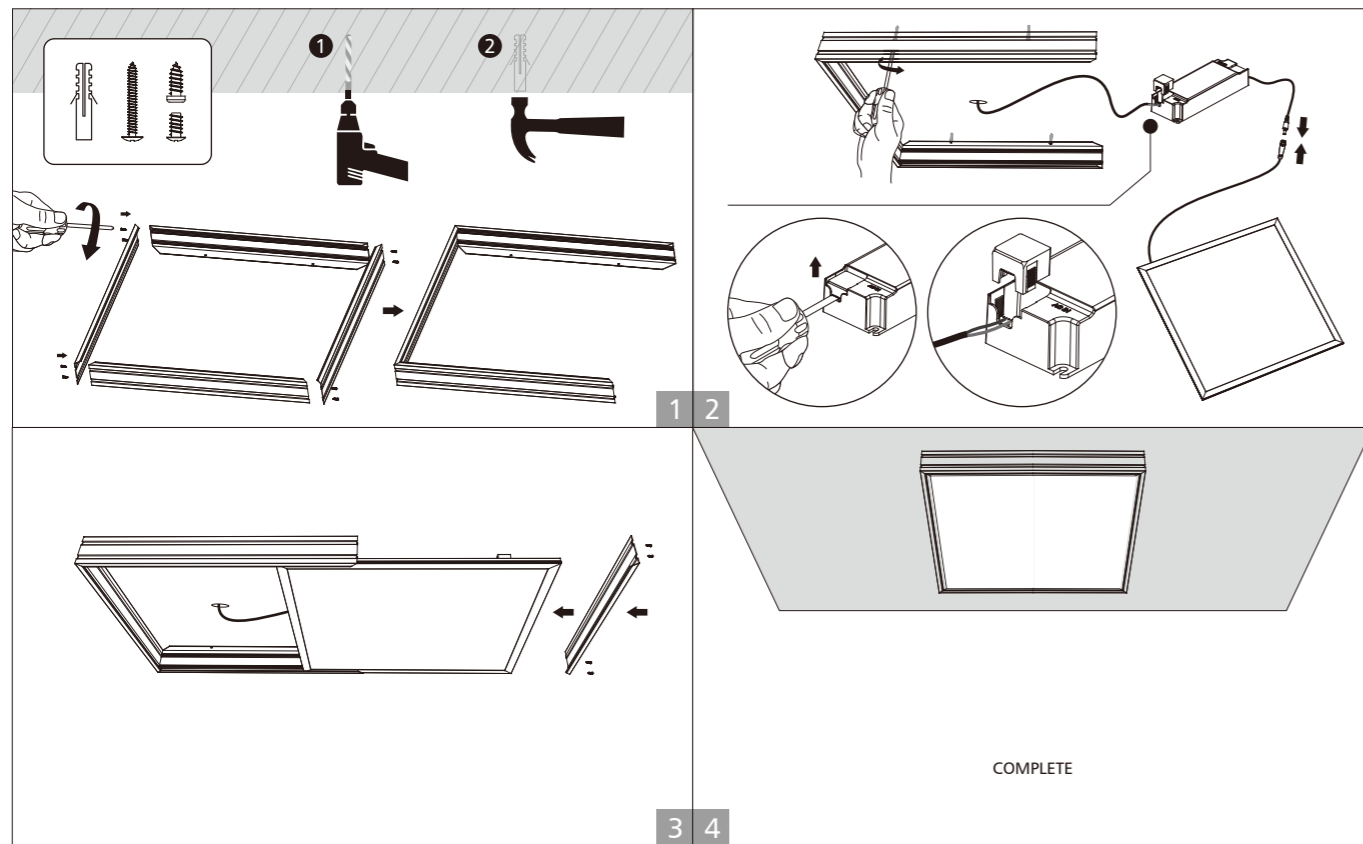
1. Switch off before installation.
2. Switch on only after complete installation and examination of the circuit.
3. Professional electrician for installation and maintenance only.

Turn Off power supply before starting any installation. Read instructions & check you have all the tools & accessories to complete the installation correctly.

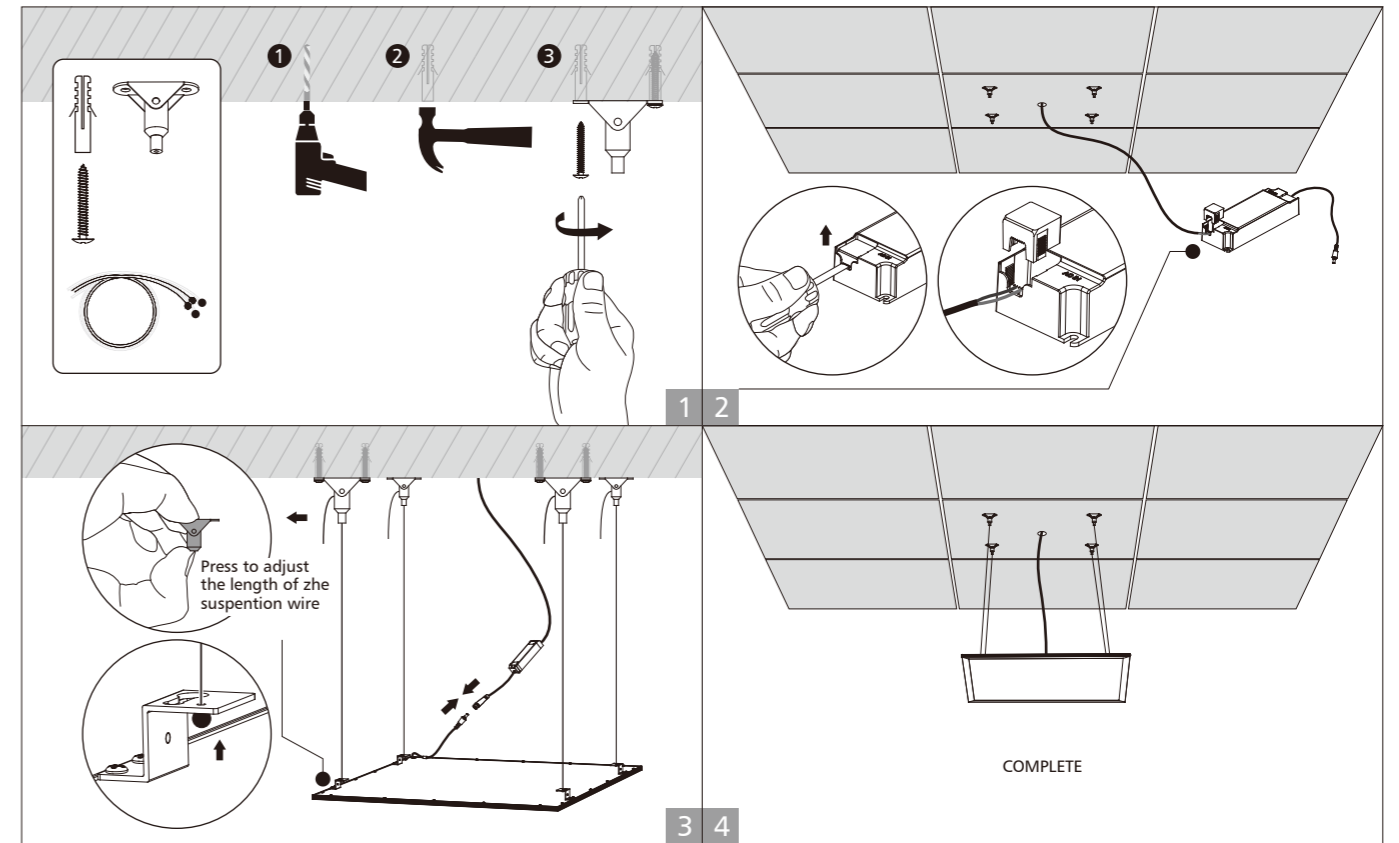


**Turn Off
Power Supply**

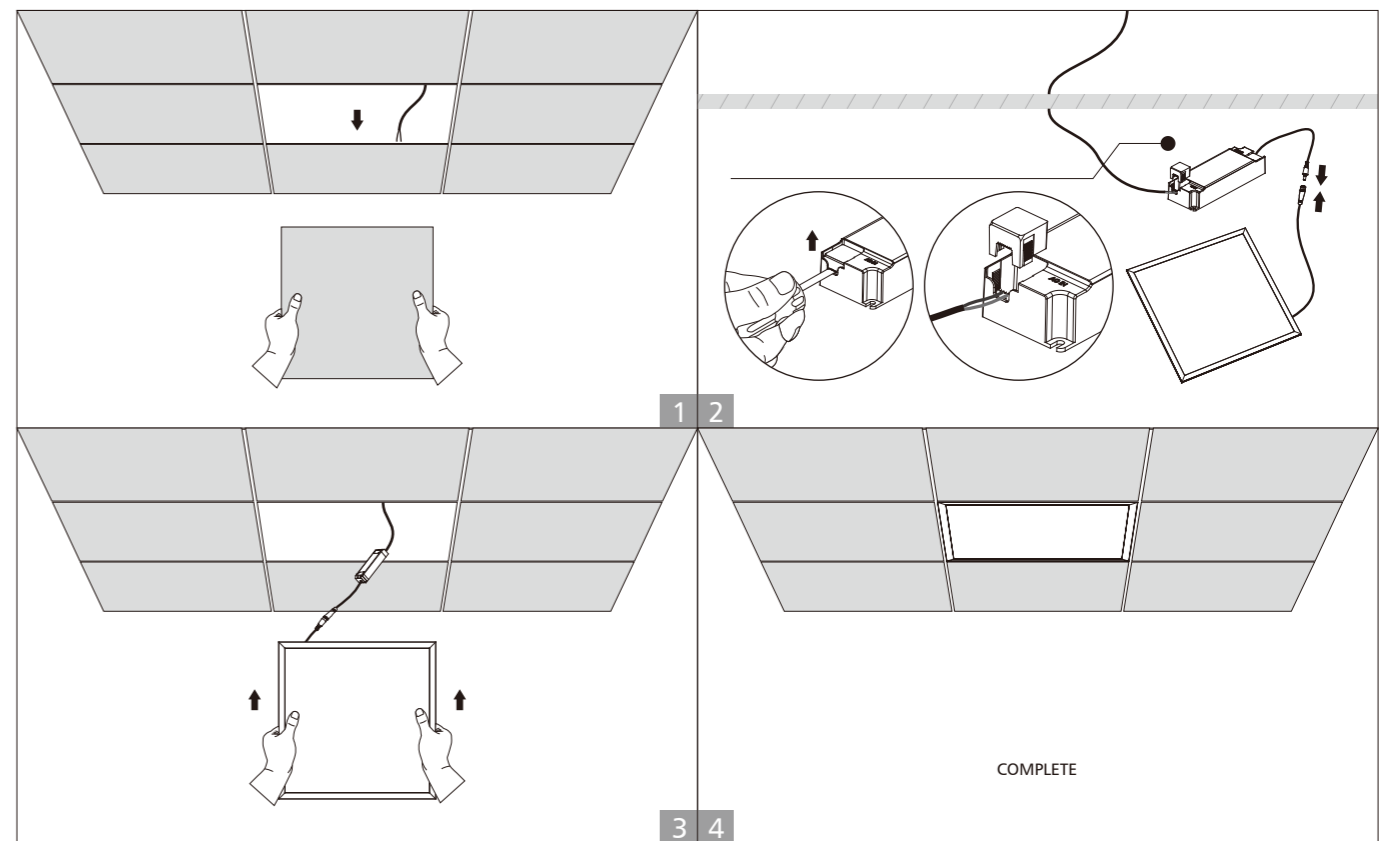
Surface mount



Pendant



Recessed(1)

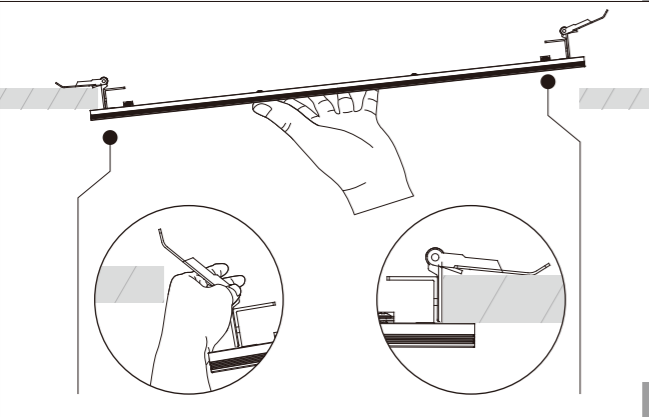
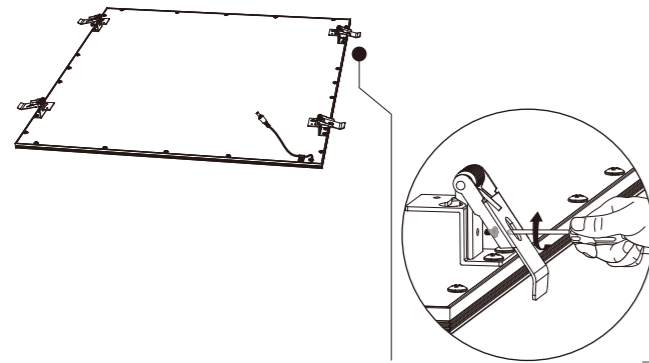
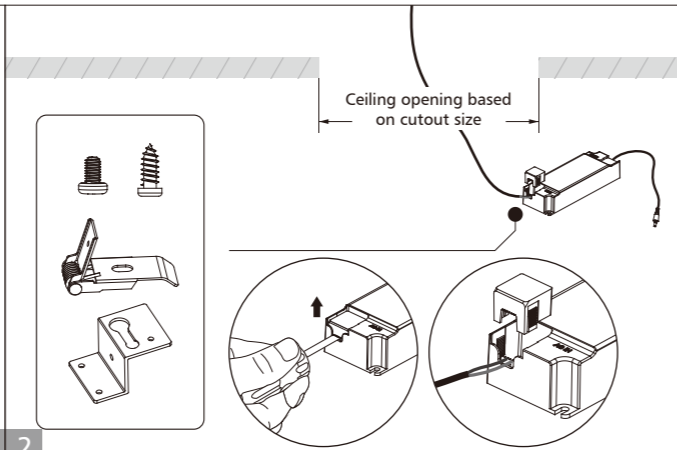


Recessed(2)

Cutout Size

Panel Size	Cutout	Panel Size	Cutout
295x295mm	270x270mm	620x620mm	590x590mm
295x595mm	270x570mm	295x1195mm	270x1170mm
595x595mm	570x570mm	595x1195mm	570x1170mm

Clips should be purchased separately as an accessory



COMPLETE

ECO
Specifications

STD
Specifications

PRO
Specifications

ODM
Specifications


INT
Intelligent