

Entry / ECO

Standard / STD

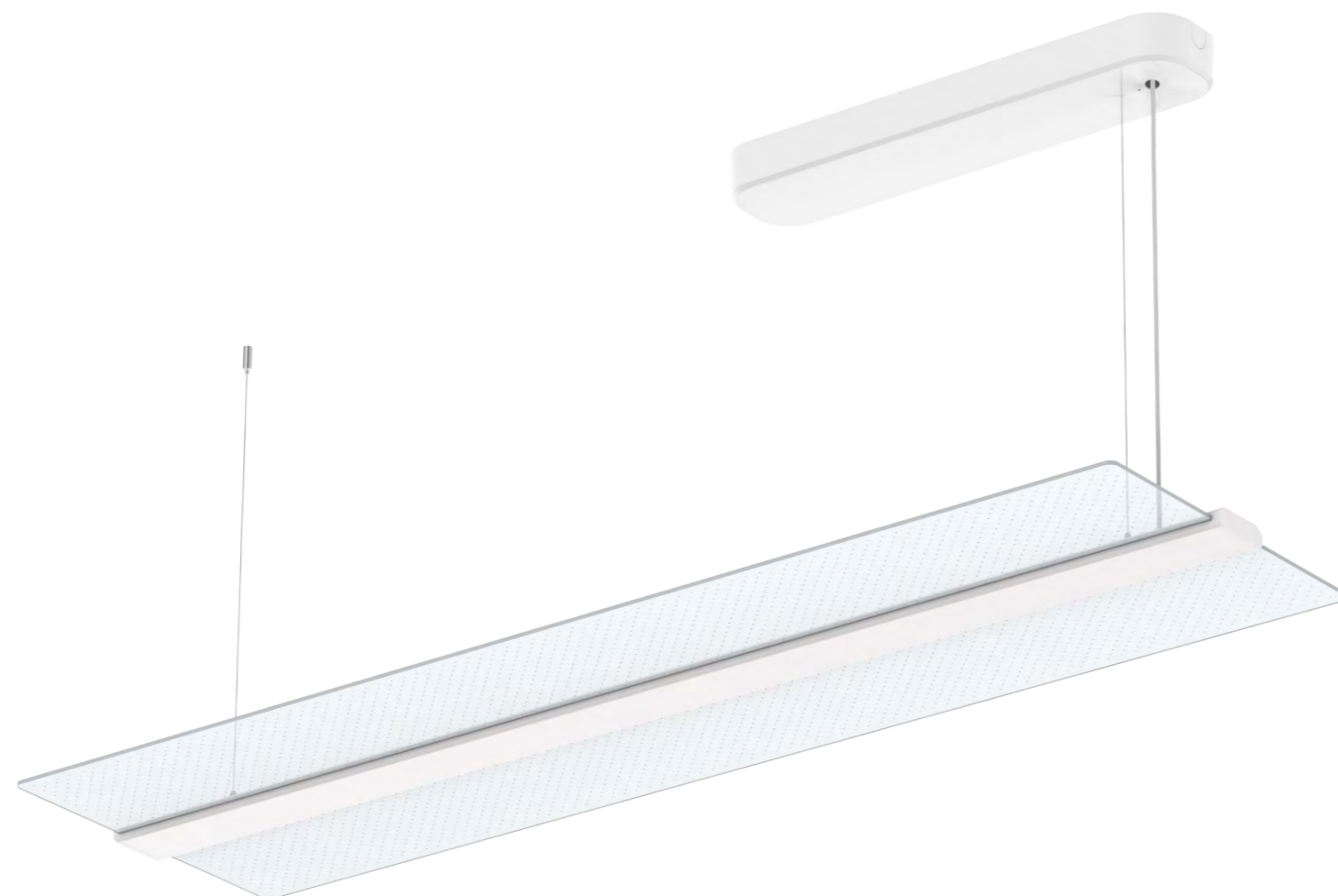
Professional / PRO

ODM & OEM

Intelligent / INT

2020

STD
Specifications



LED Panel Light
PL-DF Series



luzon
lighting™



Introduction

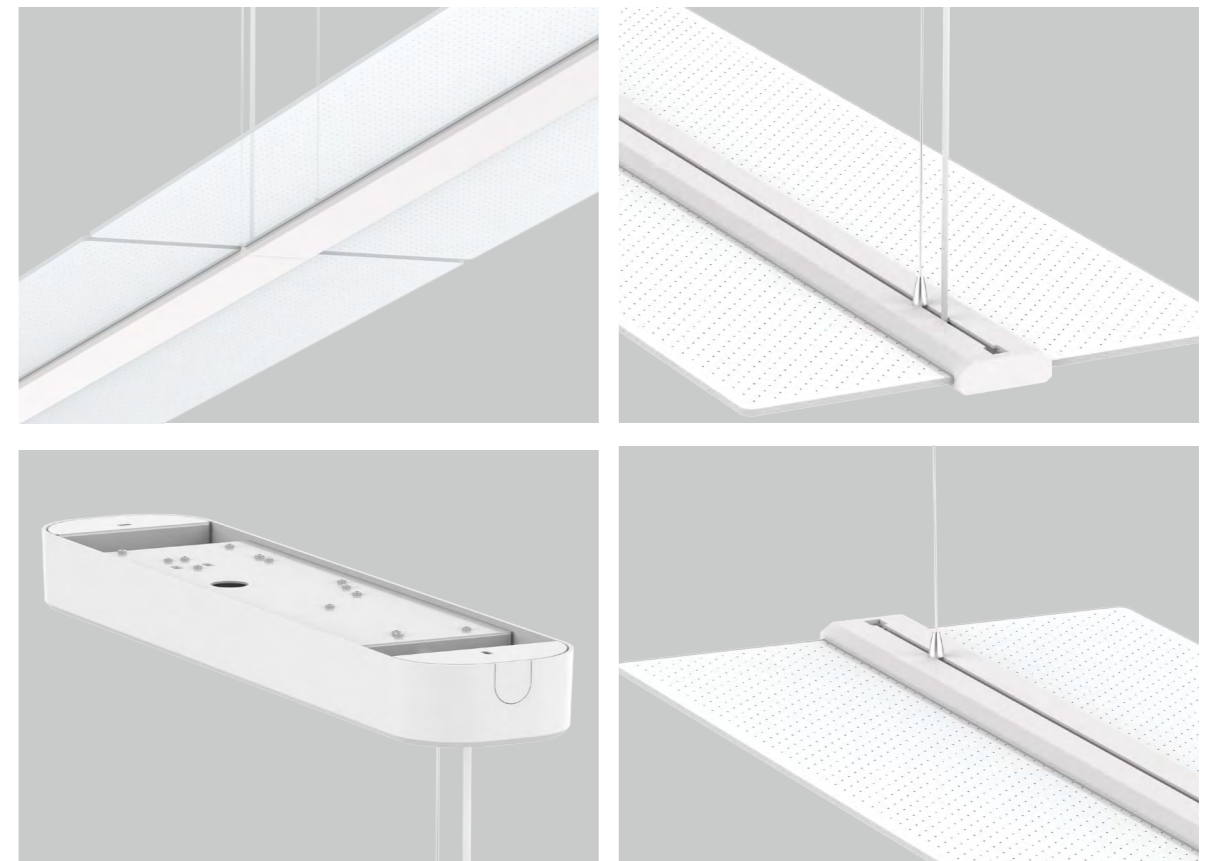
This panel light is a frameless, transparent and 360 degree lighting design, which provides a great visual aesthetic feeling. Adopt high lumen SMD light source, the 4mm transparent PMMA LGP makes a uniform, soft lighting output and reaches anti-glare UGR<19. 6063 aluminum heat sink makes an excellent thermal management. Magnetic mounting box can also save much time for installation.

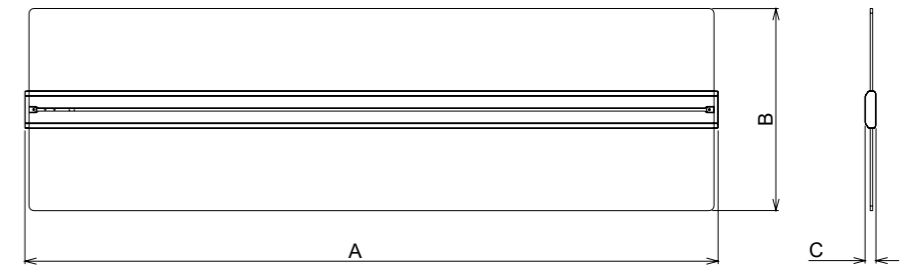
Features

- Down Lighting design 1:1 light distribution.
- Transparent design makes a great visual aesthetic feeling.
- Linkable available.
- Anti-glare with UGR<19.
- High lumen efficiency, 120lm/W.
- All direction lighting, 360° beam angle.
- Fast installation with magnetic mounting box.
- Interchangeable CCT (3000K+4000K) with slide switch.
- External flicker free driver.
- Triac dim and DALI dimming options.

Application Areas

It is widely used in office room, meeting room, waiting room, classroom etc.





Technical Data Sheet(1)

Code No.	PL35120-40W-DF	PL35120-40W-DF-D	PL35120-60W-DF	
Dimension(mm)	1200*350*19			
Cutout (mm)	-			
Watt(W)	40W		60W	
Rated Input Voltage(V)	AC220-240V	AC200-240V	AC220-240V	
Input Voltage(V)	DC36V			
LED Module Input	-			
Light Source	SMD4014			
SDCM	<6			
CCT(K)	1-CCT: 3000K/4000K/5700K 2-CCT: 3000K + 4000K			
CCT Selection DIP Switch	YES			
Luminous Flux (lm) ±5%	Non-DIM	1-CCT	3700-4800lm	5500-7200
		DIM	3500-4800lm	5400-7200
	Non-DIM	2-CCT	3700-4800lm	5500-7200
		DIM	3500-4800lm	5400-7200
CRI	≥80			
Beam Angle (°)	120°			
UGR	UGR<19			
LED Driver	Built-out			
Dimming Option	Triac/ DALI			
Sensor	-			
Emergency Kits	-			
Electrical Class	Class I			
Ingress Protection (IP Rating)	IP20			
Impact Resistance (IK Rating)	-			
Product Finishing(Base)	White RAL9016			
Materials of Optics	PMMA			
Materials of Housing	Aluminium			
Lifetime (hr)	50,000h			
Glow wire test (°C)	-			
Operating Temp. (°C)	-10°C ~-40°C			
Storage Temp. (°C)	-20°C ~50°C			
Installation	Suspended			

Measurement

Code	Dimension(mm)			Size(mm)	Product Weight (Kg)		Package weight (Kg)		Carton Size(cm)	Qty/CTN	20GP (pcs)	40HQ (pcs)
	A	B	C		N.W/PC	G.W/PC	N.W/CTN	G.W/CTN				
PL-DF	1200	350	19	1200*350*19	4.5	1.2	9	14.1	141.5*12.5*50	2	608	1412

Driver Datasheet (Non- Dimmable)

Total load wattage		40W	60W
Output	Output Voltage range	30-40V	
	Rated output current	1000mA	1500mA
	Line Regulation	±5%	
	Setup, Rise Time	≤0.5S	
	Flickering Index	<3% (NO RISK)	
Input	Input Voltage	AC220-240V	
	Rated Input Voltage(V)	AC230V	
	Frequency	50/60Hz	
	Input Current	≤0.23A	≤0.34A
	Rated Input Current	0.2A	0.29A
	Power Factor	0.9	
	THD	<20%@AC230V	
	Efficiency	≥88%	
	No load wattage	<0.5W	
Protection	Short circuit protection	Pass	
	Over voltage protection	Pass	
	Over temperature protection	Pass	
Safety &EMC	Withstand voltage	I/P-O/P:3.75kVac,<5mA 60S; I/P-FG:1.6kVac,<5mA 60S; O/P-FG:0.5kVac,<5mA 60S	
	Isolation Resistance	I/P-O/P: 500VDC, ≥100M Ω	
	Surge	IEC/EN61000-4-5 (P≥25w L-N:1KV, L/N-PE:2KV)	
	EMC Emission	EN55015, EN61000-3-2	
EMC Immunity	EN61000-4-2,3,4,5,6,8,11; EN61547		

Driver Datasheet (Triac Dimmable)

Total load wattage		40W
Output	Output Voltage range	DC30-40V
	Rated output current	950mA
	Line Regulation	±5%
	Setup, Rise Time	<0.5S
	Flickering Index	<5%(LOW RISK)
Input	Input Voltage	AC200-240V
	Rated Input Voltage(V)	AC230V
	Frequency	50Hz
	Input Current	≤0.23A
	Rated Input Current	0.2A
	Power Factor	0.9
	THD	<20% @230V
	Efficiency	≥85%
	No load wattage	<1W
Protection	Short circuit protection	Pass
	Over voltage protection	Pass
	Over temperature protection	Pass
Safety &EMC	Withstand voltage	I/P-O/P:3.75KVac, <5mA 60S;I/P-FG:1.6KVac, <5mA 60S;O/P-FG:0.5KVac, <5mA 60S
	Isolation Resistance	I/P-O/P: 500VDC, ≥100M Ω
	Surge	IEC/EN61000-4-5 (P≥25w L-N:1KV, L/N-PG:2KV)
	EMC Emission	EN55015, EN61000-3-2
	EMC Immunity	EN61000-4-2,3,4,5,6,8,11; EN61547

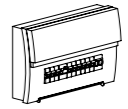
Driver Datasheet (DALI)

Total load wattage		40W	60W
Output	Output Voltage range	DC25-42V	
	Rated output current	1000mA	1450mA
	Line Regulation	±5%	
	Setup, Rise Time	<1S	
	Flickering Index	<1%	
Input	Input Voltage	AC200-240V	
	Rated Input Voltage(V)	AC230V	
	Frequency	50/60Hz	
	Input Current	≤0.23A	≤0.45A
	Rated Input Current	0.18A	0.29A
	Power Factor	0.9	
	THD	<20% @230V	
	Efficiency	≥88%	
	No load wattage	<1W	
Protection	Short circuit protection	Pass	
	Over voltage protection	Pass	
	Over temperature protection	Pass	
Safety &EMC	Withstand voltage	I/P-O/P:3.75KVAC	
	Isolation Resistance	-	
	Surge	IEC/EN61000-4-5 (P≥25w L-N:1KV, L/N-PG:2KV)	
	EMC Emission	EN55015, EN61000-3-2	
	EMC Immunity	EN61000-4-2,3,4,5,6,8,11; EN61547	

Installation Procedure

WARNING ⚡

- 1.Switch off before installation / maintenance.
- 2.Switch on only after complete installation and examination of the circuit.
- 3.Professional electrician for installation and maintenance only.

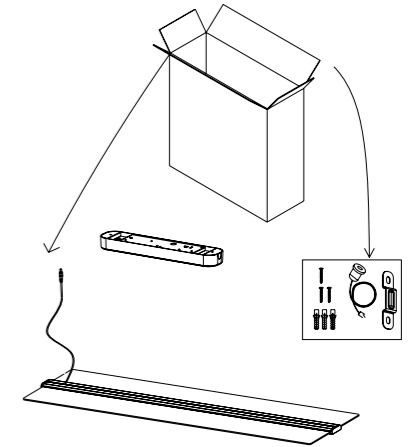


Turn Off power supply before starting any installation. Read instructions & check you have all the tools & accessories to complete the installation correctly.

Suspended

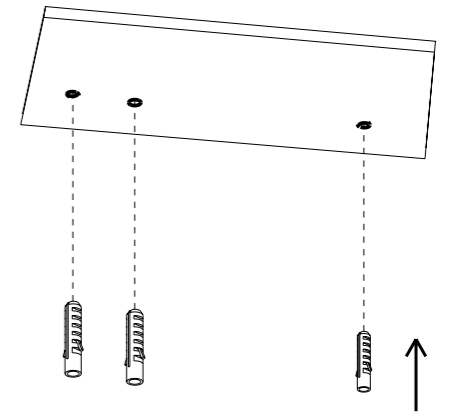
Step1

Take out panel and accessory pack from box.



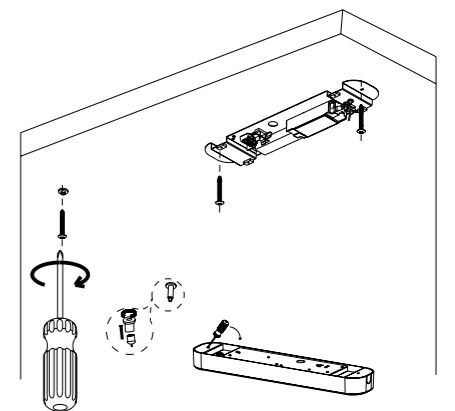
Step2

Knock the plastic anchor into ceiling.



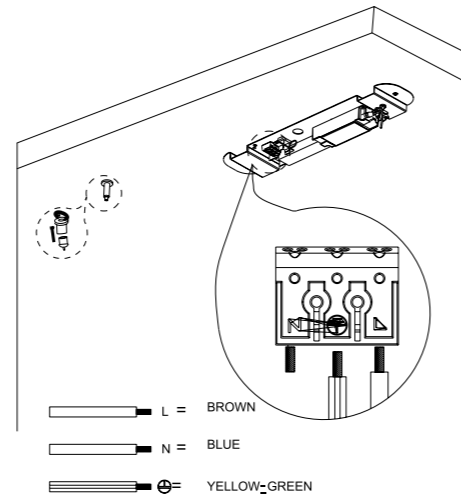
Step3

Open the driver box, fasten the bracket and self-lock device on the ceiling.



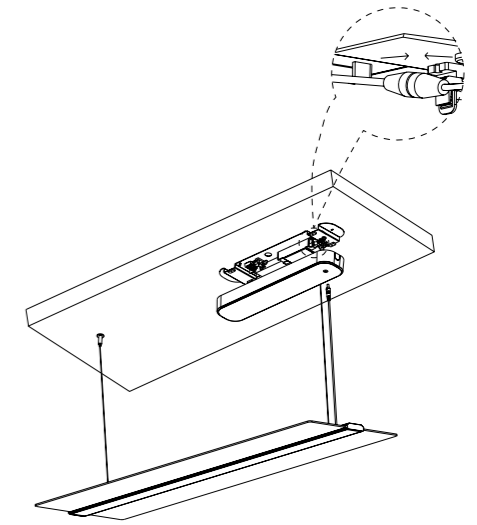
Step4

Connect AC wire correctly, rotate the steel wire end part and fix it with the bracket.



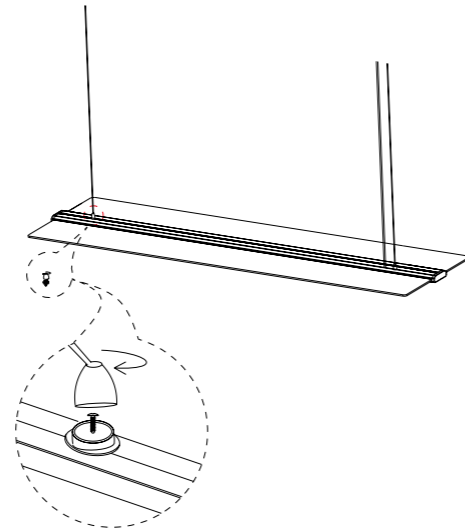
Step7

Fix the steel wire into the end connector, connect male and female plug, and then cover the mounting box.



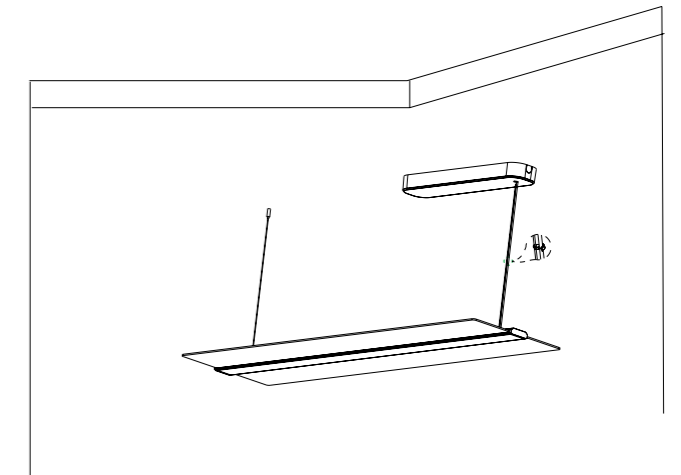
Step5

Fix steel wires in panel.



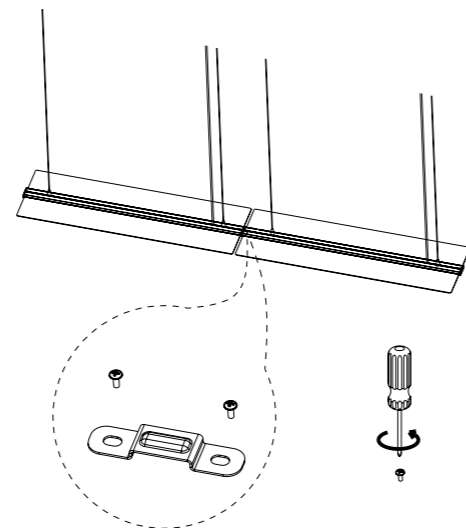
Step8

Adjust a suitable length for steel wire, fix the wires with cable clip.



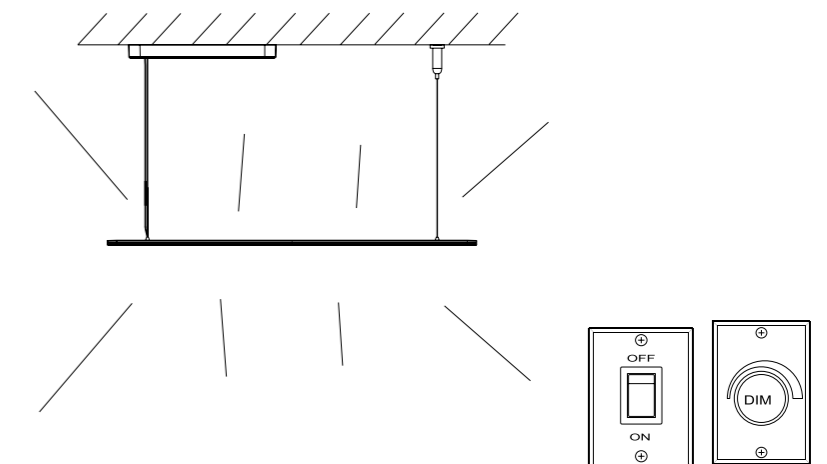
Step6

For splicing version only: Remove end cap screws, then align the connector with screw holes.



Step9

Switch on.



2020
ECO
Specifications

2020
STD
Specifications

2020
PRO
Specifications

2020
ODM
Specifications

2020 
INT
Intelligent