

Entry /ECO

Standard /STD

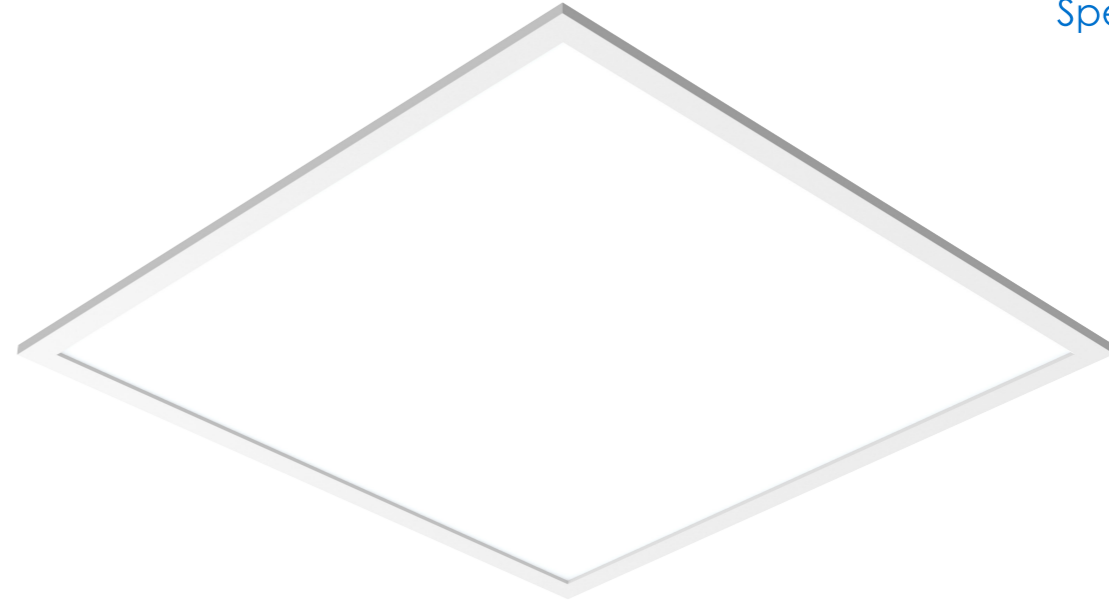
Professional/PRO

ODM & OEM

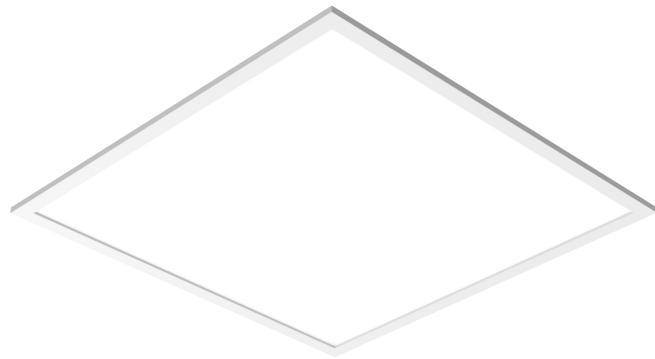
Intelligent/INT



**STD**  
Specifications



LED Panel Light  
PL-CL Series



**luzon**  
lighting™



## Introduction

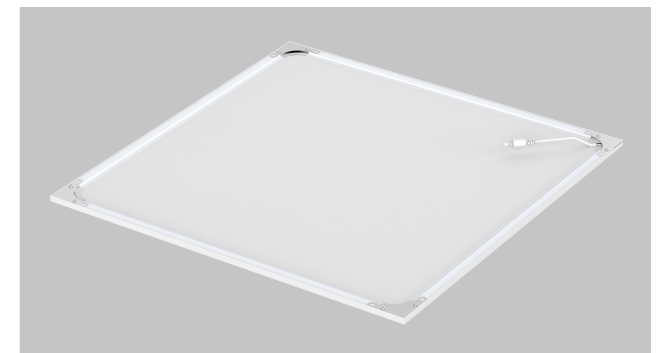
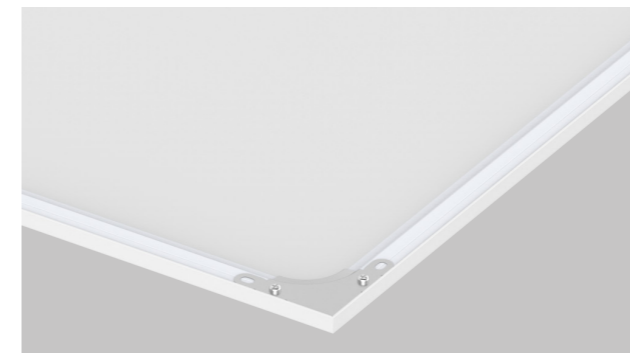
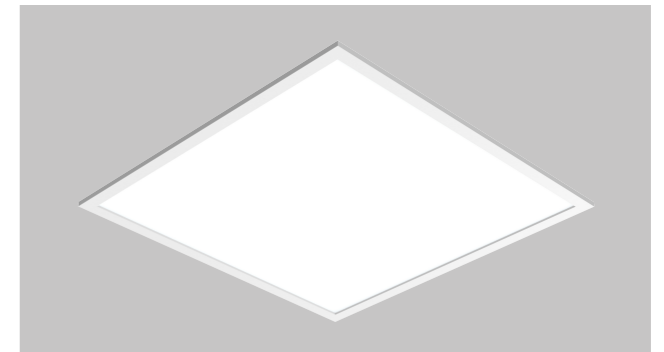
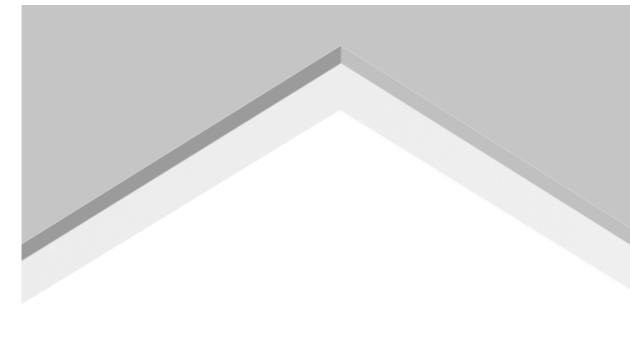
PL-CL is a new panel light solution, it's a screwless design with flat frame; PMMA LGP produces uniform light and high lumen output; Adopts high lumen SMD with CRI>80; Triac dim, 0-10V dimmable, DALI dimmable all available; It can fits seamlessly into any work place, available in various installation ways: recessed, suspended and surface mounted.

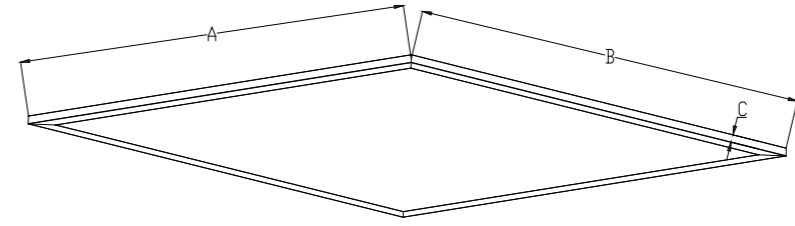
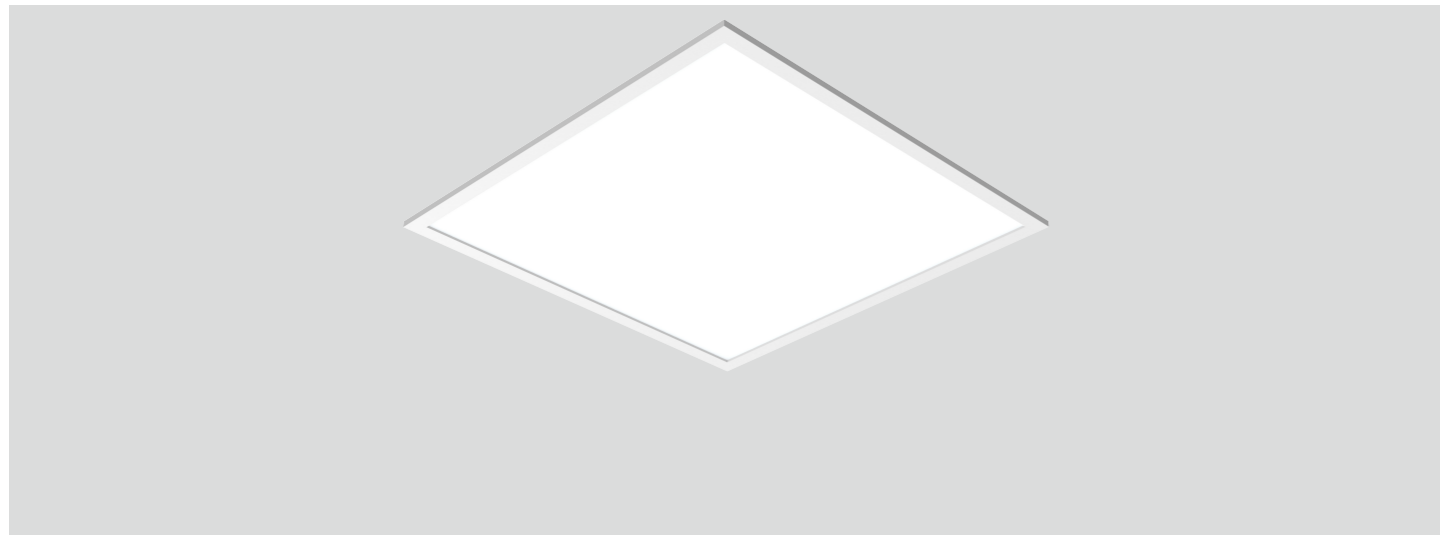
## Features

- Screwless design with lighter weight.
- High lumen efficiency, 110lm/W.
- UGR<22 available.
- Interchangeable CCT(3000K+4000K+5700K)by slide switch.
- External flicker free driver.
- Dimmable: Triac, DALI, 0-10V.
- Installation: Recessed, suspended, surface mounted.

## Application Areas

Office Lighting: Office room, meeting room, class room, library etc. Commercial Lighting: Shopping mall, supermarket, hotel etc. Other area: Hospital, canteen, theater, bank, subway station etc.





## Technical Data Sheet

Code No.	PL3030-18W-CL	PL3060-20W-CL	PL6060-36W-CL	PL6262-36W-CL	PL30120-36W-CL		
Dimension(mm)	295*295*9	295*595*9	595*595*9	620*620*9	295*1195*9		
Cutout (mm)	-						
Watt(W)	18W	20W	36W	36W	36W		
Rated Input Voltage(V)	AC230V						
Input Voltage(V)	AC200-240V						
LED Module Input	33-38V DC 450mA CC	33-38V DC 550mA CC	33-38V DC 900mA CC	33-38V DC 900mA CC	33-38V DC 900mA CC		
Light Source	SMD						
SDCM	<6						
CCT(K)	1-CCT: 3000K/4000K/5000K/5700K    3-CCT: 3000K + 4000K + 5700K						
CCT Selection DIP Switch	Yes						
Luminous Flux (lm) ±5%	Non-DIM	1-CCT	1650-1850	1850-2100	3650-4000	3650-4000	3600-3900
			DIM	1550-1750	1750-1950	3500-3850	3500-3850
	Non-DIM	3-CCT	1600-1800	1800-2000	3600-3900	3600-3900	3550-3850
			DIM	1500-1700	1700-1900	3500-3800	3500-3800
CRI	≥80						
Beam Angle (°)	120°						
UGR	<22						
LED Driver	Built-out						
Dimming Option	Triac/ DALI/ 0-10V						
Sensor	-						
Emergency Kits	-						
Electrical Class	Class II						
Ingress Protection (IP Rating)	IP20						
Impact Resistance (IK Rating)	-						
Product Finishing(Base)	White RAL 9016						
Materials of Optics	PMMA(LGP)+PS(Diffuser)						
Materials of Housing	Aluminum(Frame)						
Lifetime (hr)	50,000h						
Glow wire test (°C)	650°C						
Operating Temp. (°C)	-10°C ~40°C						
Storage Temp. (°C)	-20°C ~50°C						
Installation	Surface mount/ Pendant/ Recessed						

## Measurement

Code	Dimension(mm)			Size(mm)	Product Weight (Kg)		Package weight (Kg)		Carton Size(cm)	Qty/CTN	20GP (pcs)	40HQ (pcs)
	A	B	C		N.W/PC	G.W/PC	N.W/CTN	G.W/CTN				
3030	295	295	9	295*295*9	0.56	0.75	5.6	8.3	710*240*400mm	10	4000	9000
3060	295	595	9	295*595*9	0.95	1.22	4.8	7.0	660*240*400mm	5	2200	4980
6060	595	595	9	595*595*9	1.6	2.1	8.0	11.5	660*240*700mm	5	1200	2790
6262	620	620	9	620*620*9	1.75	2.3	8.8	12.7	685*240*725mm	5	1170	2670
30120	295	1195	9	295*1195*9	1.7	2.2	8.5	12.3	1265*240*400mm	5	1075	2520

## Driver Datasheet (Non-Dimmable)

Total load wattage		18W	20W	36W
Output	Output Voltage range	DC30-40V		
	Rated output current	450mA	550mA	900mA
	Line Regulation	±5%		
	Setup, Rise Time	≤1S		
	Flickering Index	≤5%		
Input	Input Voltage	AC200-240V		
	Rated Input Voltage(V)	AC230V		
	Frequency	50/60Hz		
	Input Current	≤0.12A	≤0.13A	≤0.23A
	Rated Input Current	≤0.09A	≤0.1A	≤0.21A
	Power Factor	≥0.9		
	THD	<20% @230V		
	Efficiency	≥90%		
	No load wattage	<0.5W		
	Protection	Short circuit protection	Pass	
Over voltage protection		Pass		
Over temperature protection		Pass		
Safety & EMC	Withstand voltage	I/P-O/P:3.75KVac, <5mA 60S; I/P-FG:1.6KVac, <5mA 60S; O/P-FG:0.5KVac, <5mA 60S		
	Isolation Resistance	I/P-O/P: 500VDC, ≥100M Ω		
	Surge	IEC/EN61000-4-5 (P<25W; L-N:500V, L/N-PE:1KV); IEC/EN61000-4-5 (P≥25w L-N:1KV, L/N-PE:2KV)		
	EMC Emission	EN55015, EN61000-3-2		
	EMC Immunity	EN61000-4-2,3,4,5,6,8,11; EN61547		

# Driver Datasheet (Triac Dimmable)

Total load wattage		18W	20W	36W
Output	Output Voltage range	DC30-40V	DC30-40V	DC30-40V
	Rated output current	450mA	550mA	900mA
	Line Regulation	±5%		
	Setup, Rise Time	≤1S		
	Flickering Index	≤5%		
Input	Input Voltage	AC200-240V		
	Rated Input Voltage(V)	AC230V		
	Frequency	50Hz		
	Input Current	≤0.12A	≤0.13A	≤0.23A
	Rated Input Current	≤0.09A	≤0.1A	≤0.21A
	Power Factor	≥0.9		
	THD	<20% @230V		
	Efficiency	≥83%	≥84%	≥84%
	No load wattage	<1W		
Protection	Short circuit protection	Pass		
	Over voltage protection	Pass		
	Over temperature protection	Pass		
Safety &EMC	Withstand voltage	I/P-O/P:3.75kVac,<5mA 60S; I/P-FG:1.6kVac,<5mA 60S; O/P-FG:0.5kVac,<5mA 60S		
	Isolation Resistance	I/P-O/P: 500VDC, ≥100M Ω		
	Surge	IEC/EN61000-4-5( P<25W; L-N:500V, L/N-PE:1KV); IEC/EN61000-4-5 (P≥25w L-N:1KV, L/N-PE:2KV)		
	EMC Emission	EN55015, EN61000-3-2		
	EMC Immunity	EN61000-4-2,3,4,5,6,8,11; EN61547		

## Installation Procedure

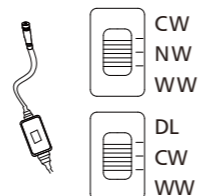
### WARNING ⚡

1. Switch off before installation.
2. Switch on only after complete installation and examination of the circuit.
3. Professional electrician for installation and maintenance only.

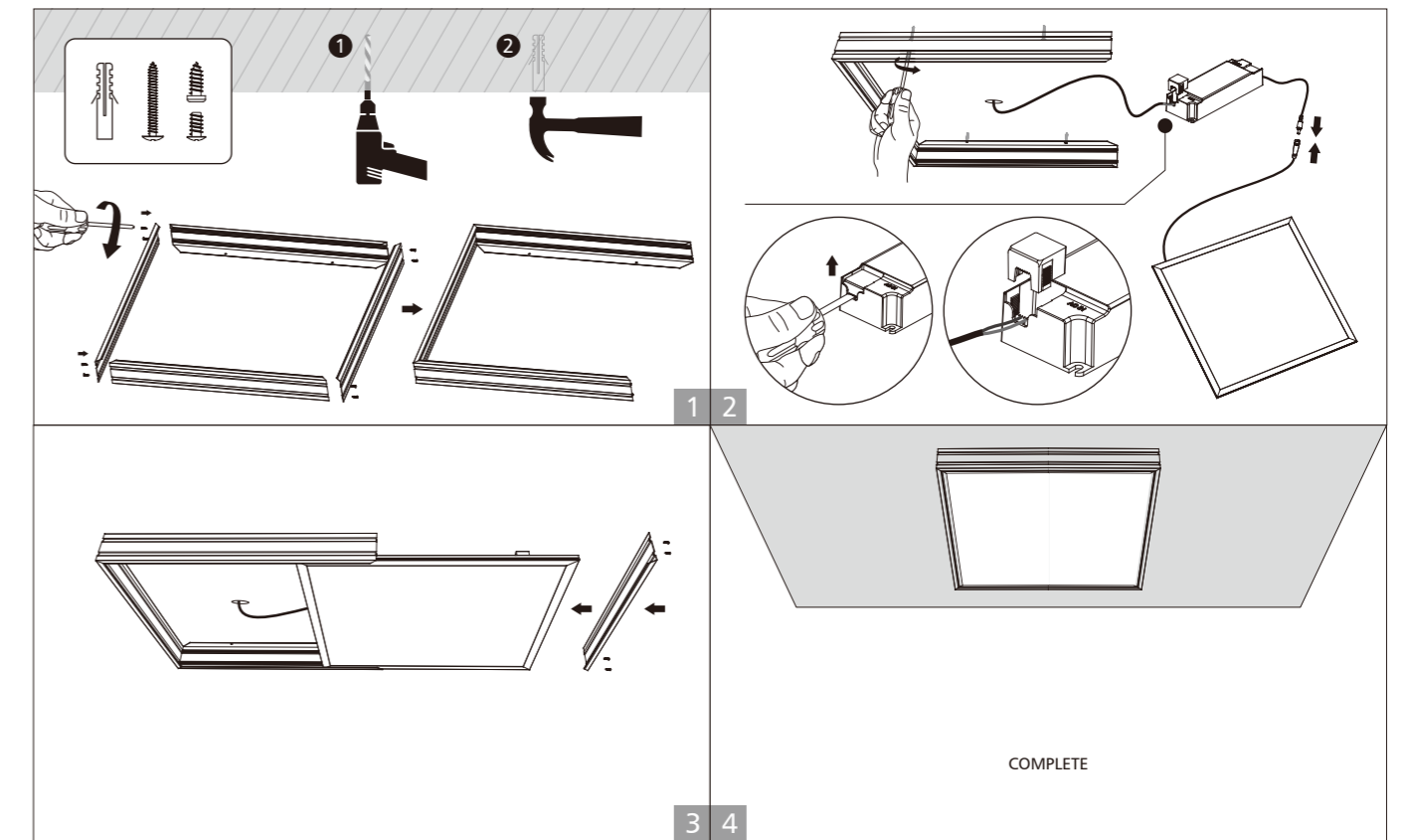
Turn Off power supply before starting any installation. Read instructions & check you have all the tools & accessories to complete the installation correctly.

For color changeable model (controlled by Slide Switch in lamp), please select light color before installation, see below picture.

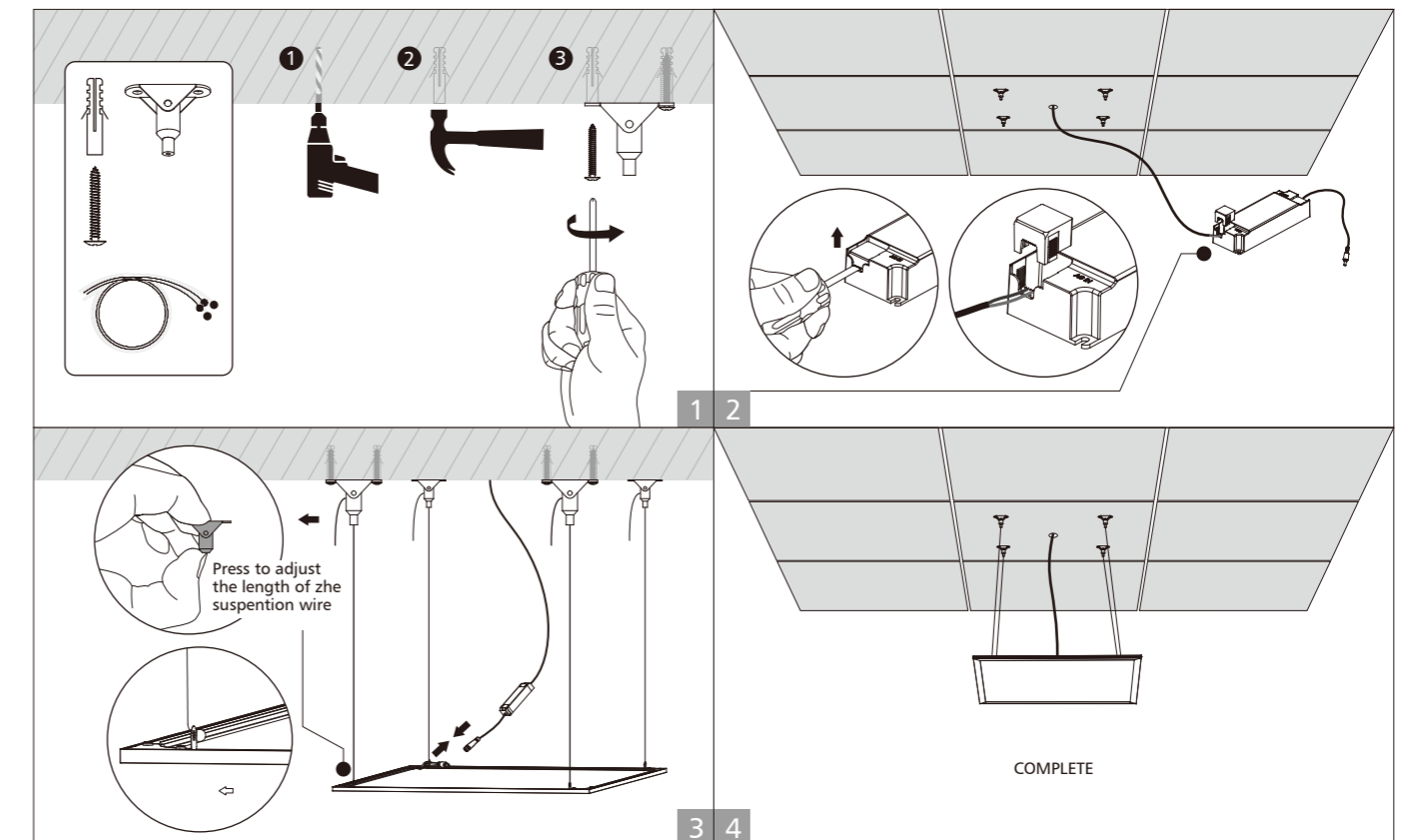
choose color by slide switch with corresponding color temperature.



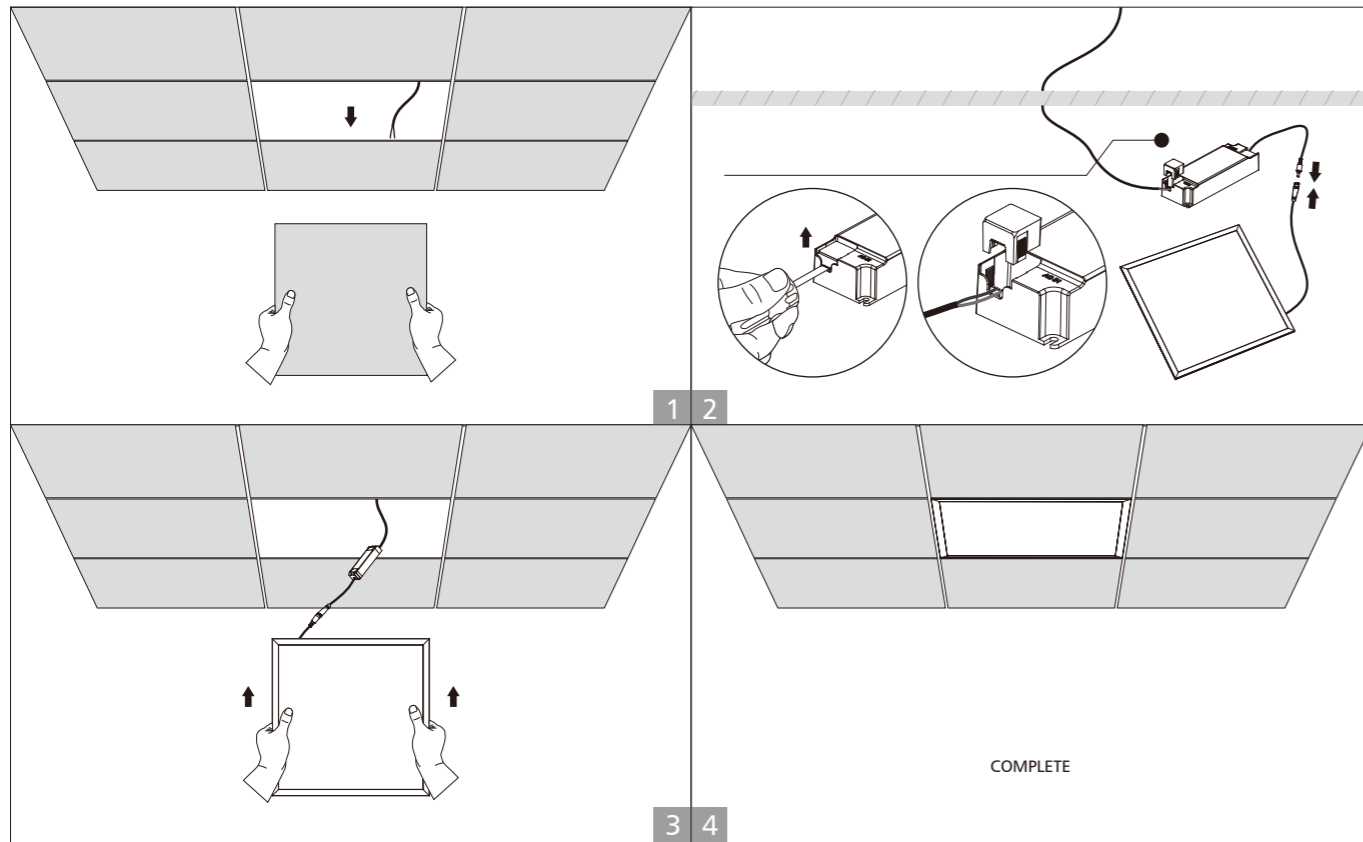
## Surface mount



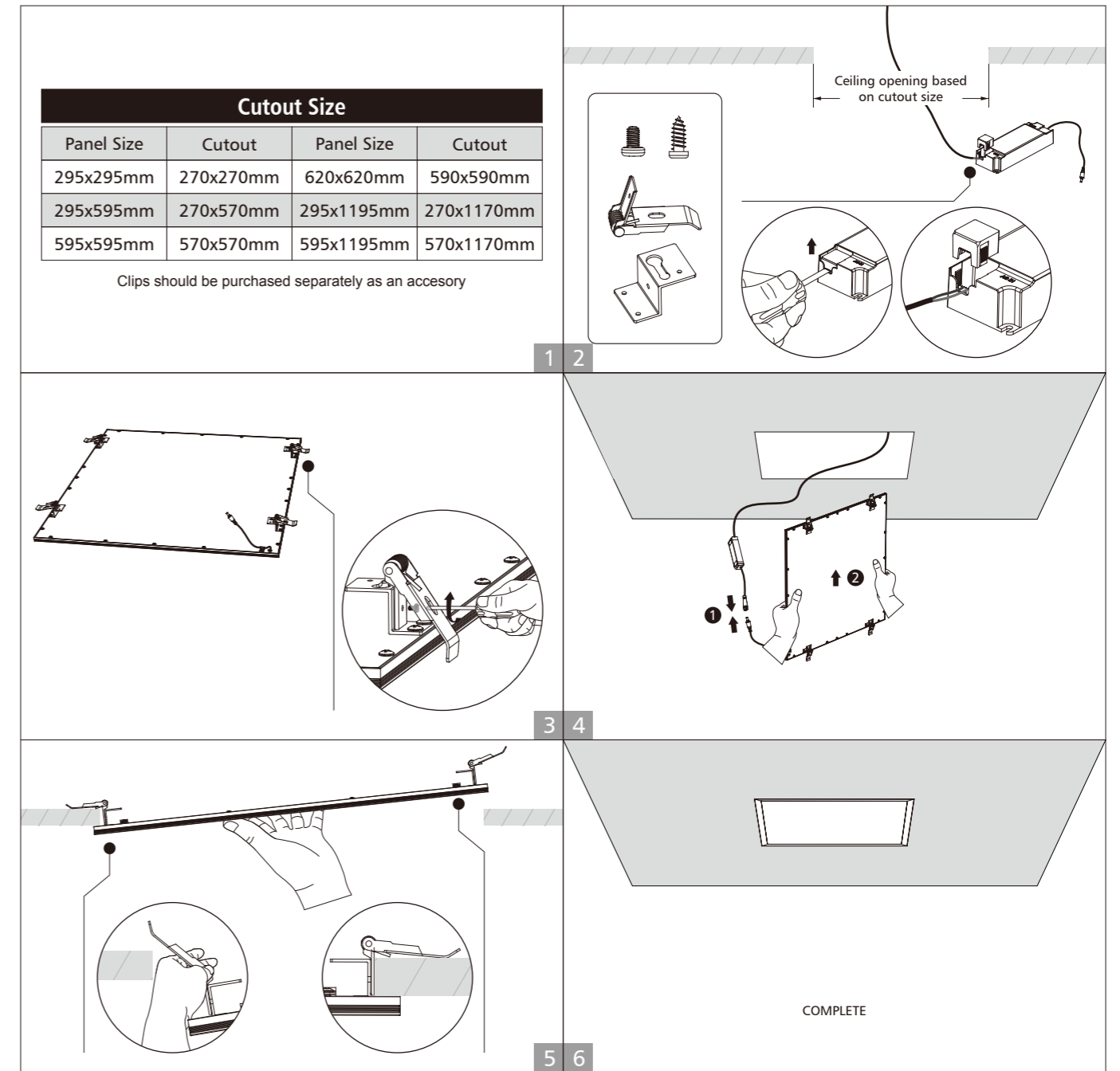
## Pendant



## Recessed(1)



## Recessed(2)



**ECO**  
Specifications

**STD**  
Specifications

**PRO**  
Specifications

**ODM**  
Specifications

  
**INT**  
Intelligent