

Entry / ECO

Standard / STD

Professional / PRO

ODM & OEM

Intelligent / INT

2019

ECO
Specifications



LED Cylinder

PD228 Series

luzon
lighting™



Introduction

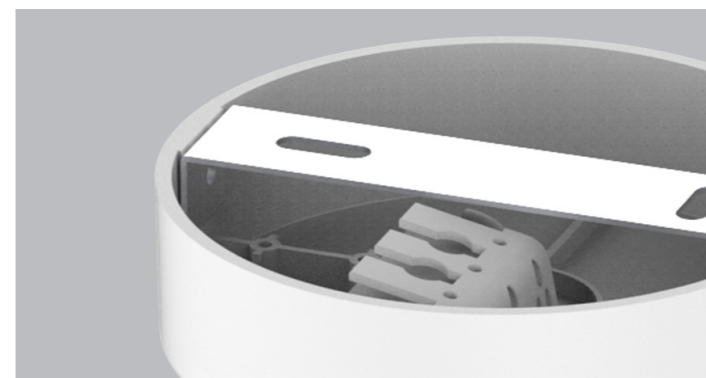
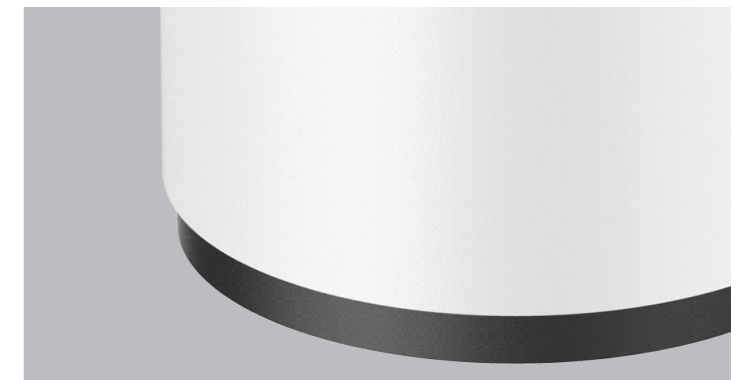
This pendant light is an anti-glare design. High lumen COB chip and PMMA lens offer a uniform lighting output. AL6063 aluminum lamp body provides excellent heat dissipation. Special lens design reaches anti-glare effect and creates a comfortable visual experience. Multiple beam angle lens optional, modular lens design make a convenient maintenance. Easy installation, recreational for various application.

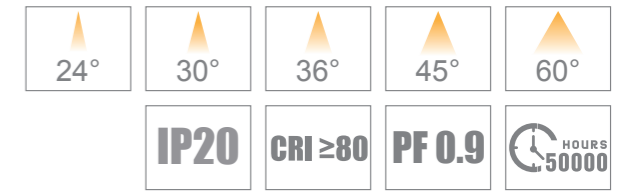
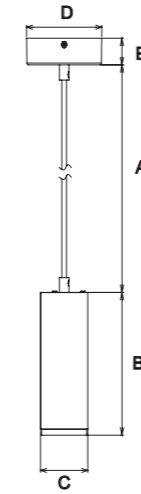
Features

- Anti-glare design
- CRI80/90/97 available
- Modular lens design: 24°/30°/45°for 10W、15W; 24°/36°/60°for 20W and above
- SDCM<6
- Flicker free internal driver

Application Areas

Applicable for residential lighting in bedroom, living room, corridor etc, also suitable for commercial lighting in office, hotel, restaurant etc.





Technical Data Sheet

| Model No. | PD228-10W | PD228-15W | PD228-20W | PD228-25W | PD228-30W | PD228-40W | | |
|--------------------------------|--------------------------------|-----------|-----------|-------------|-----------|-----------|-----------|-----------|
| Dimension(mm) | Ø65*157 | Ø65*157 | Ø85*178 | Ø85*178 | Ø100*211 | Ø100*211 | | |
| Cutout (mm) | - | | | | | | | |
| Watt(W) | 10W | 15W | 20W | 25W | 30W | 40W | | |
| Rated Input Voltage(V) | AC230V | | | | | | | |
| Input Voltage(V) | AC200V—240V | | | | | | | |
| LED Module Input | - | | | | | | | |
| Light Source | COB | | | | | | | |
| SDCM | <6 | | | | | | | |
| CCT(K) | 1-CCT: 2700K/3000K/4000K/5000K | | | | | | | |
| CCT Selection DIP Switch | NO | | | | | | | |
| Luminous Flux (lm) ±5% | Non-DIM | 1-CCT | 780~1100 | 1200~1500 | 1850~2250 | 2150~2700 | 2650-3050 | 3550-4200 |
| | | | DIM | 750~1050 | 1100~1400 | 1750~2150 | 2000~2600 | 2550~3000 |
| | Non-DIM | 3-CCT | - | - | - | - | - | - |
| | | | DIM | - | - | - | - | - |
| CRI | 80(90/97 optional) | | | | | | | |
| Beam Angle (°) | 24°/30°/45° | | | 24°/36°/60° | | | | |
| UGR | - | | | | | | | |
| LED Driver | Built-in | | | | | | | |
| Dimming Option | Yes | Yes | Yes | Yes | Yes | No | | |
| Sensor | No | | | | | | | |
| Emergency Kits | No | | | | | | | |
| Electrical Class | Class I | | | | | | | |
| Ingress Protection (IP Rating) | IP20 | | | | | | | |
| Impact Resistance (IK Rating) | - | | | | | | | |
| Product Finishing(Base) | White RAL 9016/Black RAL9005 | | | | | | | |
| Materials of Optics | PMMA | | | | | | | |
| Materials of Housing | PC/Aluminium | | | | | | | |
| Lifetime (hr) | 5,000h | | | | | | | |
| Glow wire test (°C) | 650°C | | | | | | | |
| Operating Temp. (°C) | -20°C ~45°C | | | | | | | |
| Storage Temp. (°C) | 25°C | | | | | | | |
| Installation | Pendant | | | | | | | |

Measurement

| Model | Dimension(mm) | | | | | Size(mm) | Product Weight (Kg) | | Package weight (Kg) | | Carton Size(cm) | Qty/CTN | 20GP (pcs) | 40HQ (pcs) |
|-----------|---------------|-----|------|--------|----|----------|---------------------|--------|---------------------|---------|-----------------|---------|------------|------------|
| | A | B | C | D | E | | N.W/PC | G.W/PC | N.W/CTN | G.W/CTN | | | | |
| PD228-10W | 1080 | 157 | Ø65 | Ø104.5 | 29 | Ø65*157 | 0.55 | 0.65 | 6.6 | 8.6 | 50.5*27.0*38.5 | 12PCS | 6912 | 14040 |
| PD228-15W | 1080 | 157 | Ø65 | Ø104.5 | 29 | Ø65*157 | 0.55 | 0.65 | 6.6 | 8.6 | 50.5*27.0*38.5 | 12PCS | 6912 | 14040 |
| PD228-20W | 1080 | 178 | Ø85 | Ø104.5 | 29 | Ø85*178 | 0.8 | 0.9 | 9.6 | 11.6 | 56.5*29.0*42.5 | 12PCS | 4800 | 11736 |
| PD228-25W | 1080 | 178 | Ø85 | Ø104.5 | 29 | Ø85*178 | 0.8 | 0.9 | 9.6 | 11.6 | 56.5*29.0*42.5 | 12PCS | 4800 | 11736 |
| PD228-30W | 1080 | 211 | Ø100 | Ø104.5 | 29 | Ø100*211 | 1.15 | 1.25 | 14 | 15.8 | 56.5*35.0*42.5 | 12PCS | 4020 | 9792 |
| PD228-40W | 1080 | 211 | Ø100 | Ø104.5 | 29 | Ø100*211 | 1.15 | 1.25 | 14 | 15.8 | 56.5*35.0*42.5 | 12PCS | 4020 | 9792 |

Driver Datasheet (Non-Dimmable)

| Total load wattage | | 10W | 15W | 20W | 25W | 30W | 40W |
|--------------------|-----------------------------------|-------------------------------------|--------|-------|-----------------------------------|-------|-------|
| Output | Output Voltage range | DC30-40V | | | | | |
| | Rated output current | 230mA | 350mA | 500mA | 600mA | 750mA | 950mA |
| | Line Regulation | ±5% | | | | | |
| | Setup, Rise Time | ≤0.5S | | | | | |
| | Flickering Index | ≤10% | | | | | |
| Input | Input Voltage | AC180-265V | | | | | |
| | Rated Input Voltage(V) | AC200-240V | | | | | |
| | Frequency | 50/60Hz | | | | | |
| | Input Current | ≤0.06A | ≤0.08A | 0.12A | 0.15A | 0.18A | 0.25A |
| | Rated Input Current | ≤0.05A | ≤0.07A | 0.11A | 0.14A | 0.17A | 0.23A |
| | Power Factor | 0.9 | | | | | |
| | THD | <20% @230V | | | | | |
| | Efficiency | ≥82% | ≥85% | ≥86% | ≥87% | ≥87% | ≥87% |
| | No load wattage | <0.5W | | | | | |
| Protection | Short circuit protection | Pass | | | | | |
| | Over voltage protection | Pass | | | | | |
| | Over temperature protection | Pass | | | | | |
| Safety & EMC | Withstand voltage | I/P-O/P:3.75KVac, <5mA 60S | | | | | |
| | Isolation Resistance | I/P-O/P: 500VDC, ≥100M Ω | | | | | |
| | Surge | IEC61000-4-5(L-N:0.5KV, L/N-PG:1KV) | | | IEC61000-4-5(L-N:1KV, L/N-PG:2KV) | | |
| | EMC Emission | EN55015, EN61000-3-2 | | | | | |
| EMC Immunity | EN61000-4-2,3,4,5,6,8,11; EN61547 | | | | | | |

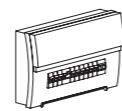
Driver Datasheet(Triac Dimmable)

| Total load wattage | | 10W | 15W | 20W | 25W | 30W |
|-----------------------------|------------------------|-------------------------------------|--------|-------|-----------------------------------|------------|
| Output | Output Voltage range | DC30-40V | | | | |
| | Rated output current | 220mA | 350mA | 480mA | 580mA | 700mA |
| | Line Regulation | ±5% | | | | |
| | Setup, Rise Time | ≤0.5S | | | | |
| | Flickering Index | ≤10% | | | | |
| Input | Input Voltage | AC200-240V | | | | |
| | Rated Input Voltage(V) | AC230V | | | | |
| | Frequency | 50/60Hz | | | | |
| | Input Current | ≤0.06A | ≤0.09A | 0.12A | 0.14A | 0.17A |
| | Rated Input Current | ≤0.05A | ≤0.08A | 0.11A | 0.12A | 0.15A |
| | Power Factor | 0.9 | | | | |
| | THD | - | - | - | <20% @230V | <20% @230V |
| | Efficiency | ≥78% | ≥83% | ≥84% | ≥84% | ≥85% |
| | No load wattage | <0.5W | | | | |
| | Protection | Short circuit protection | Pass | | | |
| Over voltage protection | | Pass | | | | |
| Over temperature protection | | Pass | | | | |
| Safety &EMC | Withstand voltage | I/P-O/P:3.75KVac, <5mA 60S | | | | |
| | Isolation Resistance | I/P-O/P: 500VDC, ≥100M Ω | | | | |
| | Surge | IEC61000-4-5(L-N:0.5KV, L/N-PG:1KV) | | | IEC61000-4-5(L-N:1KV, L/N-PG:2KV) | |
| | EMC Emission | EN55015, EN61000-3-2 | | | | |
| | EMC Immunity | EN61000-4-2,3,4,5,6,8,11; EN61547 | | | | |

Installation Procedure

WARNING ⚡

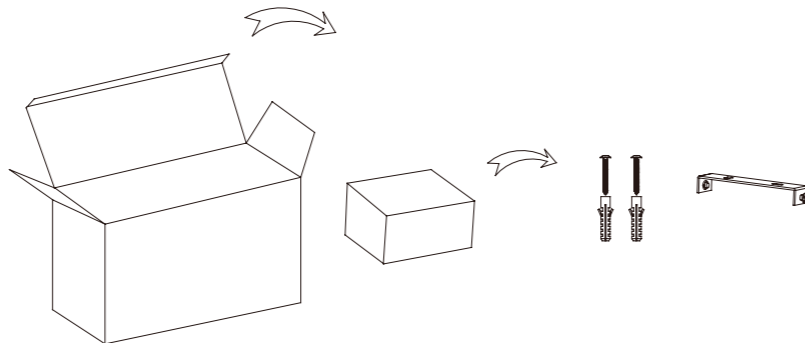
- 1.Switch off before installation / maintenance.
- 2.Switch on only after complete installation and examination of the circuit.
- 3.Professional electrician for installation and maintenance only.



Turn Off power supply before starting any installation. Read instructions & check you have all the tools & accessories to complete the installation correctly.

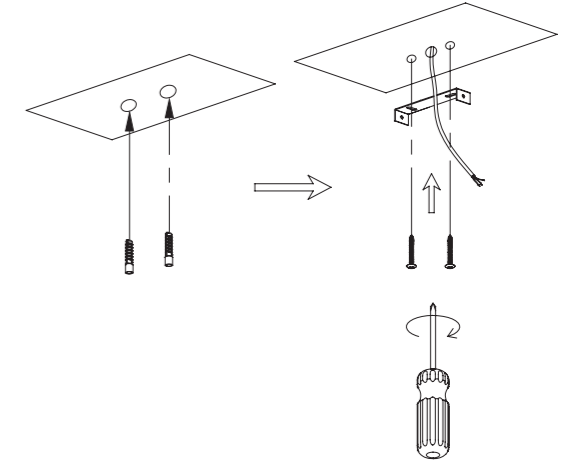
Surface Mounted Installation

Step 1



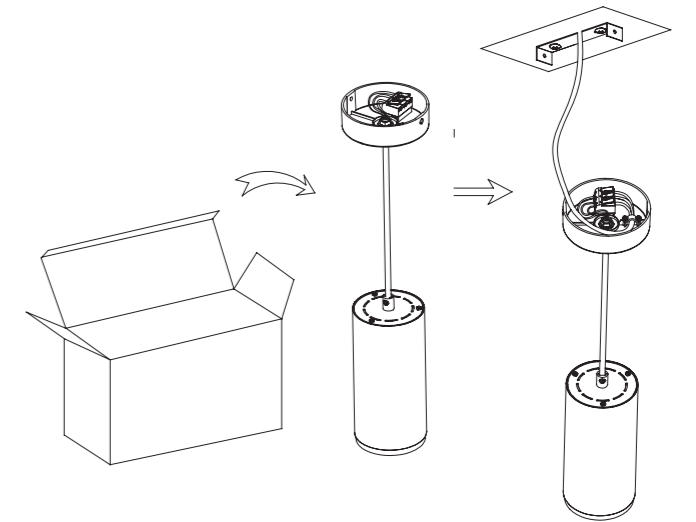
Take out accessory pack from box.

Step 2



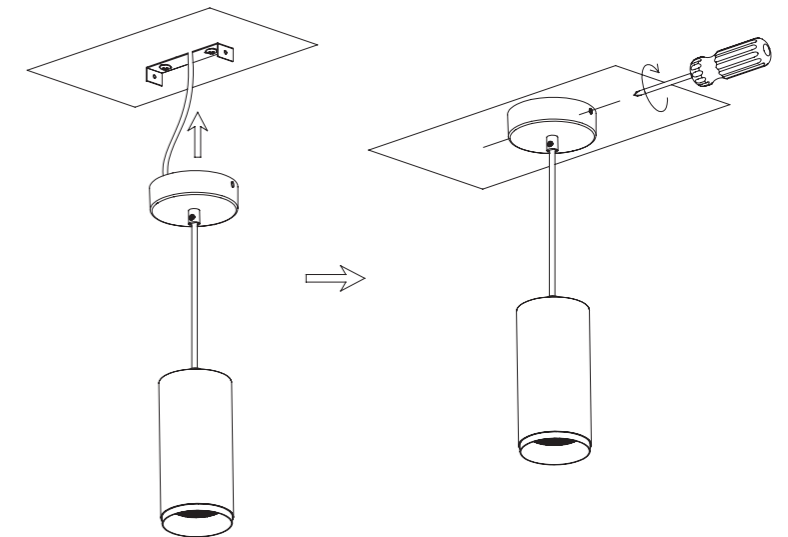
Knock the plastic anchor into ceiling. Fix the installation bracket with screw on the ceiling.

Step 3



Take out the lamp, connect the AC wires to terminal block correctly

Step 4



Fix the ceiling light into the installation bracket with screw

2019
ECO
Specifications

2019
STD
Specifications

2019
PRO
Specifications

2019
ODM
Specifications

2019 
INT
Intelligent