

Entry / ENT

Standard / STD

Professional / PRO

ODM & OEM

Intelligent / INT

2020

STD
Specifications



LED GRILLE LAMP
GL-AA Series



luzon
lighting™



Introduction

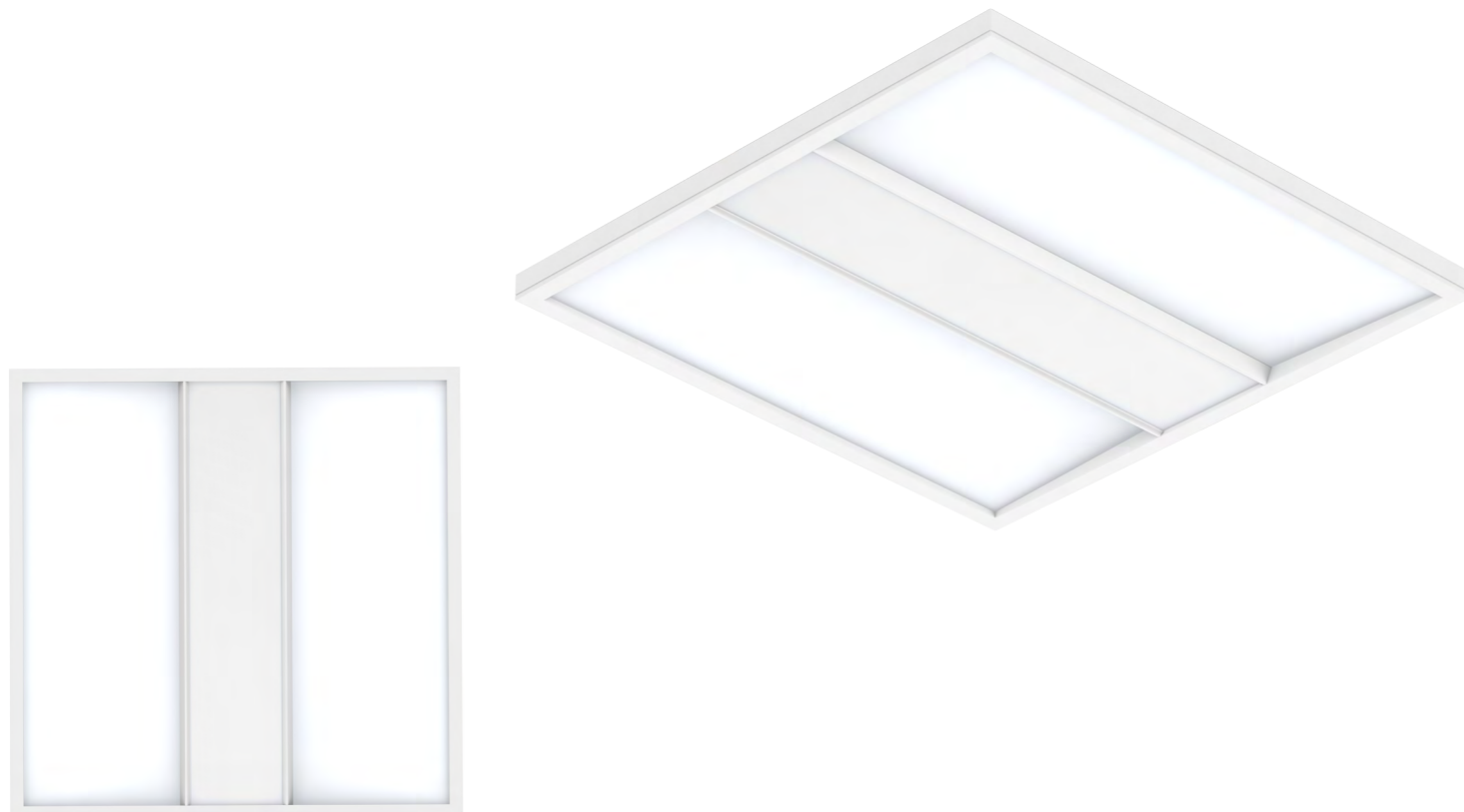
This grille light is a new louver anti-glare design, the compact and seamless splicing make it a great looking. It adopts anti-glare prism plate to reach $UGR < 19$, direct lighting design makes a high lumen efficiency and uniform light output, it is an ideal combination of stylish and high performance.

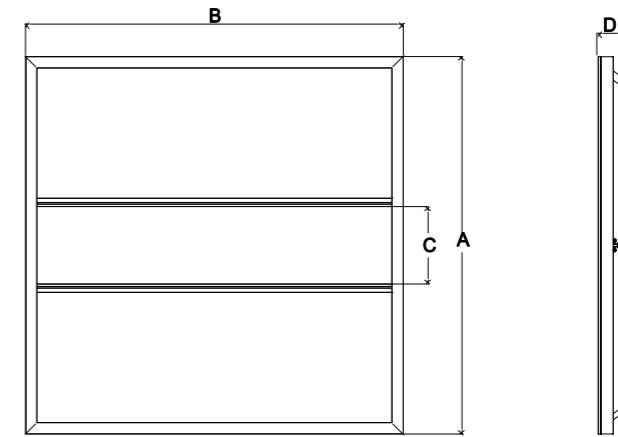
Features

- Compact and seamless splicing structure design.
- Big light - emitting surface with whole front area.
- Direct lighting with a high lumen efficiency, 100lm/W.
- Anti-glare design, $UGR < 19$.
- Interchangeable CCT (3000K+4000K+5700K) with slide switch.
- External flicker free driver.

Application Areas

It can be used in office room, meeting room, classroom, hotel, shopping mall, supermarket, station etc.





Technical Data Sheet

Code No.	GL6060-36W-AA	GL30120-36W-AA	GL6262-36W-AA	GL60120-60W-AA		
Dimension(mm)	595*595*40mm	1195*295*40mm	620*620*49mm	1195*595*49mm		
Cutout (mm)	-					
Watt(W)	36W			60W		
Rated Input Voltage(V)	AC230V					
Input Voltage(V)	AC220-240V					
LED Module Input	DC33-38V					
Light Source	SMD2835					
SDCM	< 6					
CCT(K)	1-CCT: 3000K/4000K/5000K/5700K 3-CCT: 3000K + 4000K + 5700K					
CCT Selection DIP Switch	-					
Luminous Flux (lm) ±5%	Non-DIM	1-CCT	3300-3600	3300-3600	3300-3600	5460-6000
			3200-3550	3200-3550	3200-3550	-
	DIM	3-CCT	3300-3600	3300-3600	3300-3600	5460-6000
			3200-3550	3200-3550	3200-3550	-
CRI	≥80					
Beam Angle (°)	90°					
UGR	< 19					
LED Driver	Built-out					
Dimming Option	Triac / DALI / 0-10V			-		
Sensor	-					
Emergency Kits	-					
Electrical Class	Class II					
Ingress Protection (IP Rating)	IP20					
Impact Resistance (IK Rating)	-					
Product Finishing(Base)	White RAL 9016					
Materials of Optics	PMMA(Lens)+PS(Diffuser)					
Materials of Housing	Aluminum(Frame)					
Lifetime (hr)	50,000h					
Glow wire test (°C)	-					
Operating Temp. (°C)	-10°C ~40°C					
Storage Temp. (°C)	-20°C ~65°C					
Installation	Recessed/Suspended					

Measurement

Code	Dimension(mm)				Size(mm)	Product Weight (Kg)		Package weight (Kg)		Carton Size(cm)	Qty/CTN	20GP (pcs)	40HQ (pcs)
	A	B	C	D		N.W/PC	G.W/PC	N.W/CTN	G.W/CTN				
GL6060-AA	595	595	122	40	595*595*40	2.6	3.36	13	18.35	66.5*40*71	5	740	1720
GL30120-AA	1195	295	72	40	1195*295*40	2.99	3.84	14.95	20.9	139.5*40*38	5	670	1425
GL6262-AA	620	620	122	49	620*620*49	2.73	3.56	13.65	19.5	69*45*73.5	5	615	1360
GL60120-AA	1195	595	72	49	1195*595*49	5.41	6.74	10.82	15.49	139.5*16.5*68	2	354	822

Driver Datasheet (Non-Dimmable)

Total load wattage		36W	60W
Output	Output Voltage range	30-40VDC	
	Rated output current	900mA	1500mA
	Line Regulation	±5%	
	Setup, Rise Time	<0.5S	
	Flickering Index	<3%(NO RISK)	
Input	Input Voltage	220VAC-240VAC	
	Rated Input Voltage(V)	230V	
	Frequency	50/60Hz	
	Input Current	≤0.2A	≤0.34A
	Rated Input Current	0.18A	0.29A
	Power Factor	0.9	
	THD	<20% @ 230V	
	Efficiency	>88%	>88%
	No load wattage	≤1W	
	Protection	Short circuit protection	Pass
Over voltage protection		Pass	
Over temperature protection		Pass	
Safety &EMC	Withstand voltage	I/P-O/P:3.75kVac, <5mA 60S;	
	Isolation Resistance	I/P-O/P: 500VDC, ≥100M Ω	
	Surge	IEC/EN61000-4-5 (P≥25w L-N:1KV)	
	EMC Emission	EN55015, EN61000-3-2	
EMC Immunity	EN61000-4-2,3,4,5,6,8,11; EN61547		

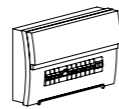
Driver Datasheet (Triac Dimmable)

Total load wattage		36W
Output	Output Voltage range	30-40VDC
	Rated output current	900mA
	Line Regulation	±5%
	Setup, Rise Time	0.5S
	Flickering Index	<5% (NO RISK)
Input	Input Voltage	220VAC-240VAC
	Rated Input Voltage(V)	230V
	Frequency	50/60HZ
	Input Current	<0.2A
	Rated Input Current	0.18A
	Power Factor	0.9
	THD	<20% @ 230V
	Efficiency	>85%
	No load wattage	≤1W
	Short circuit protection	Pass
Protection	Over voltage protection	Pass
	Over temperature protection	Pass
	Withstand voltage	I/P-O/P:3.75KVac, <5mA 60S;
Safety &EMC	Isolation Resistance	I/P-O/P: 500VDC, ≥100M Ω
	Surge	IEC/EN61000-4-5 (P≥25w L-N:1KV)
	EMC Emission	EN55015, EN61000-3-2
	EMC Immunity	EN61000-4-2,3,4,5,6,8,11; EN61547

Installation Procedure

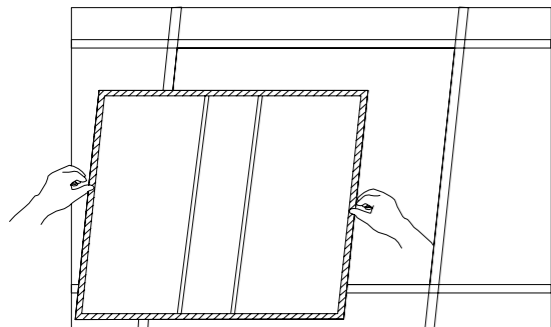
WARNING ⚡

- 1.Switch off before installation / maintenance.
- 2.Switch on only after complete installation and examination of the circuit.
- 3.Professional electrician for installation and maintenance only.



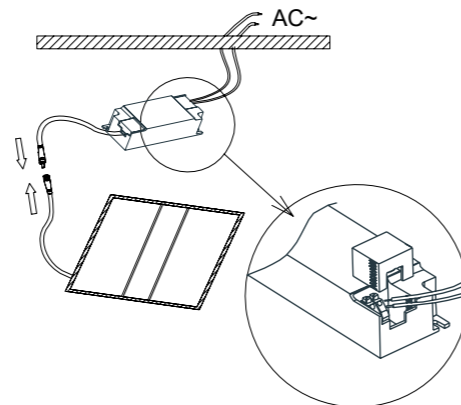
Recessed into ceiling

Step 1



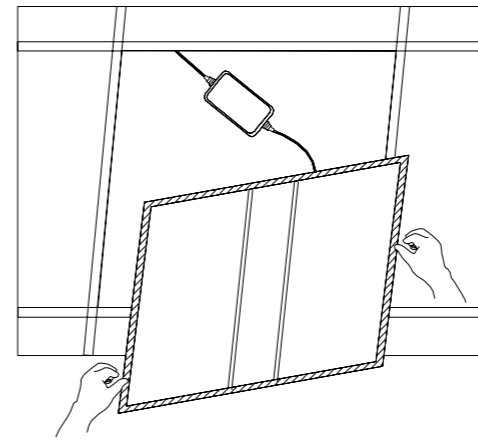
Remove the ceiling plaster slab.

Step 2



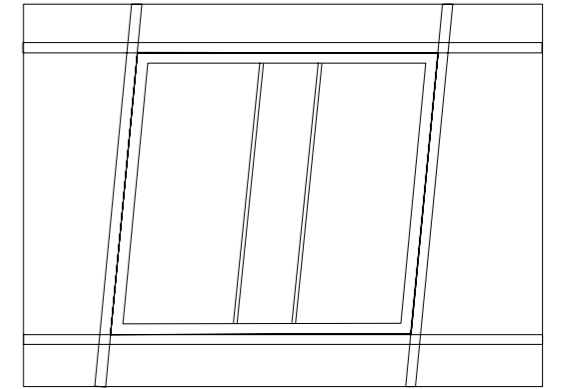
Feed the main AC wire in driver terminal block respectively, connect the LED Grille light and driver.

Step 3



Fix the LED Grille light into plaster ceiling.

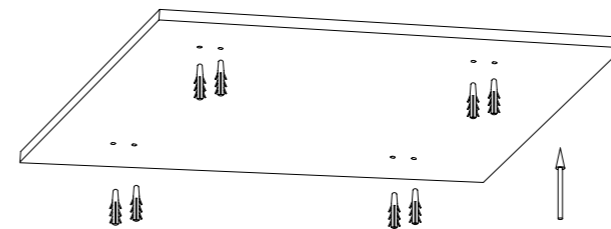
Step 4



Make sure the LED Grille light is firmly fixed, turn on the power.

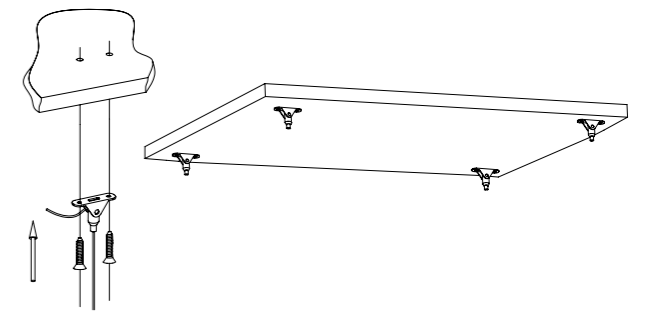
Suspending

Step 1



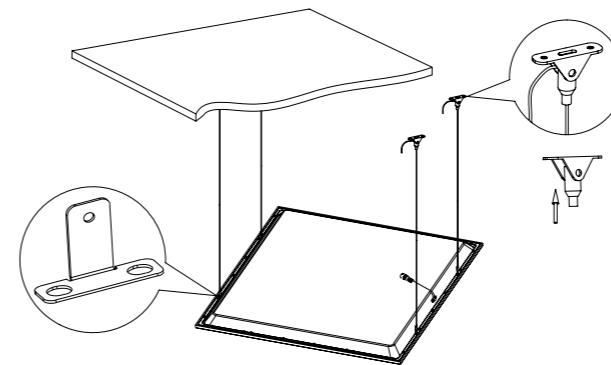
Fix the anchor into target place on the ceiling.

Step 2



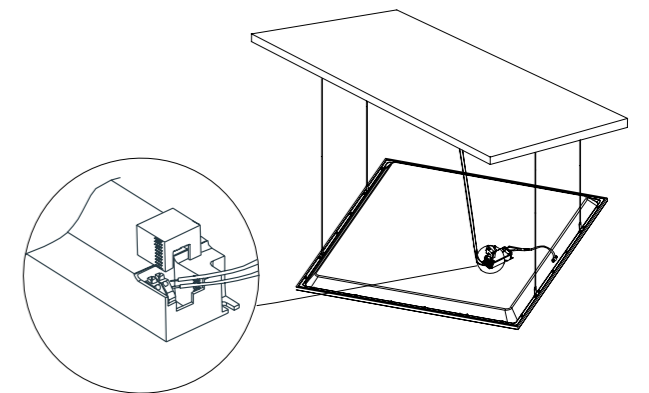
Fix the installation mount on the ceiling with plastic anchor.

Step 3



Hang the LED Grille to ceiling with suspended installation kits, adjust the length of steel wires.

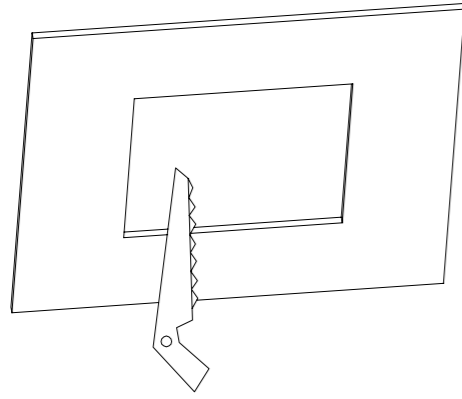
Step 4



Feed the main AC wire in driver terminal block respectively, turn on the power.

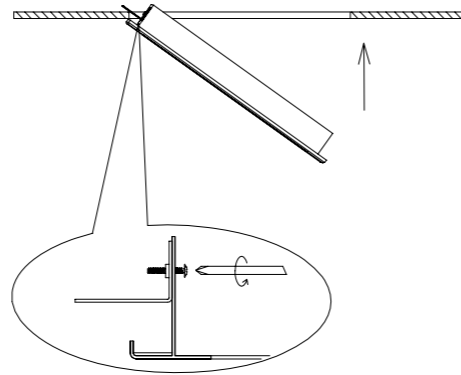
■ Recessed with frame

Step 1



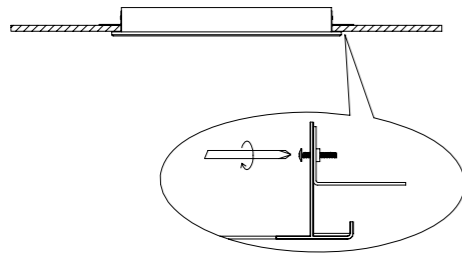
Open a hole on ceiling according to cutout size of recessed frame.

Step 2



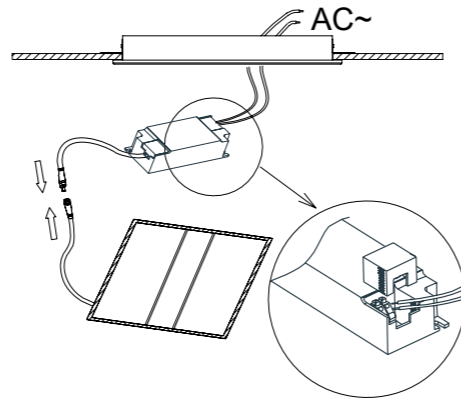
Fix 2 pcs of clips to one side of frame by screw, then insert the frame into ceiling.

Step 3



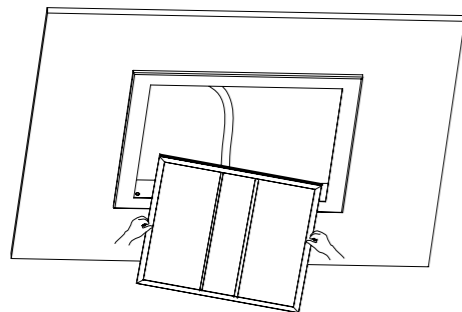
Fasten the frame into ceiling by screwing another 2 pcs clips on the other side of frame.

Step 4



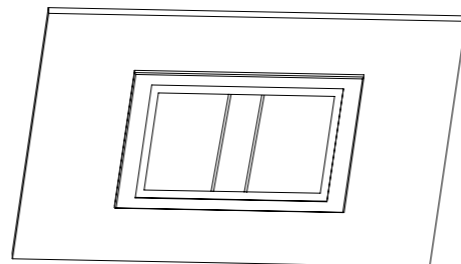
Feed the main AC wire in terminal block respectively.

Step 5



Fix LED Grille light into the recessed frame.

Step 6



Installation complete, turn on the power.

2020
ECO
Specifications

2020
STD
Specifications

2020
PRO
Specifications

2020
ODM
Specifications

2020 
INT
Intelligent