

The image features a night-time view of a baseball stadium with spectators in the stands. In the foreground, a tall white pole supports two horizontal arms, each carrying three large, rectangular floodlights. The floodlights are illuminated, casting a bright glow. The Luzon Lighting logo is in the top left corner, and the text 'Product Introduction' and 'FL10 Sports Lighting' is overlaid on the left side of the image.

**luzon**  
lighting™

Product  
Introduction

FL10 Sports Lighting

# CONTENTS

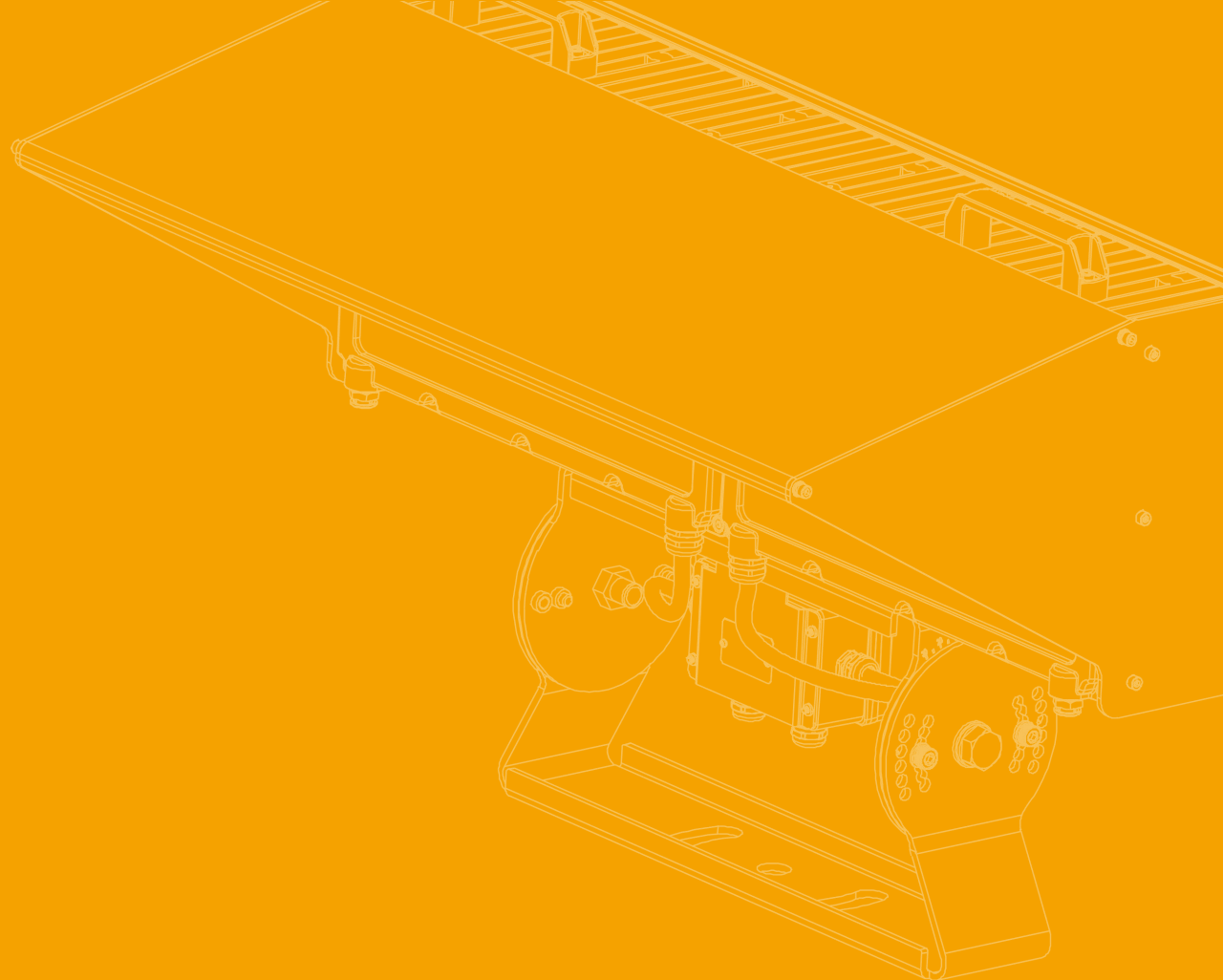
- MARKET ANALYSIS
- PRODUCT FEATURES
- INSTALLATION AND APPLICATIONS

# ONE

## MARKET ANALYSIS

---

Fl10 sports lightings has a big potencial market.



# Market Analysis



Modular design  
Light Weight  
adjustable module



Modular design  
Narrow beam angle

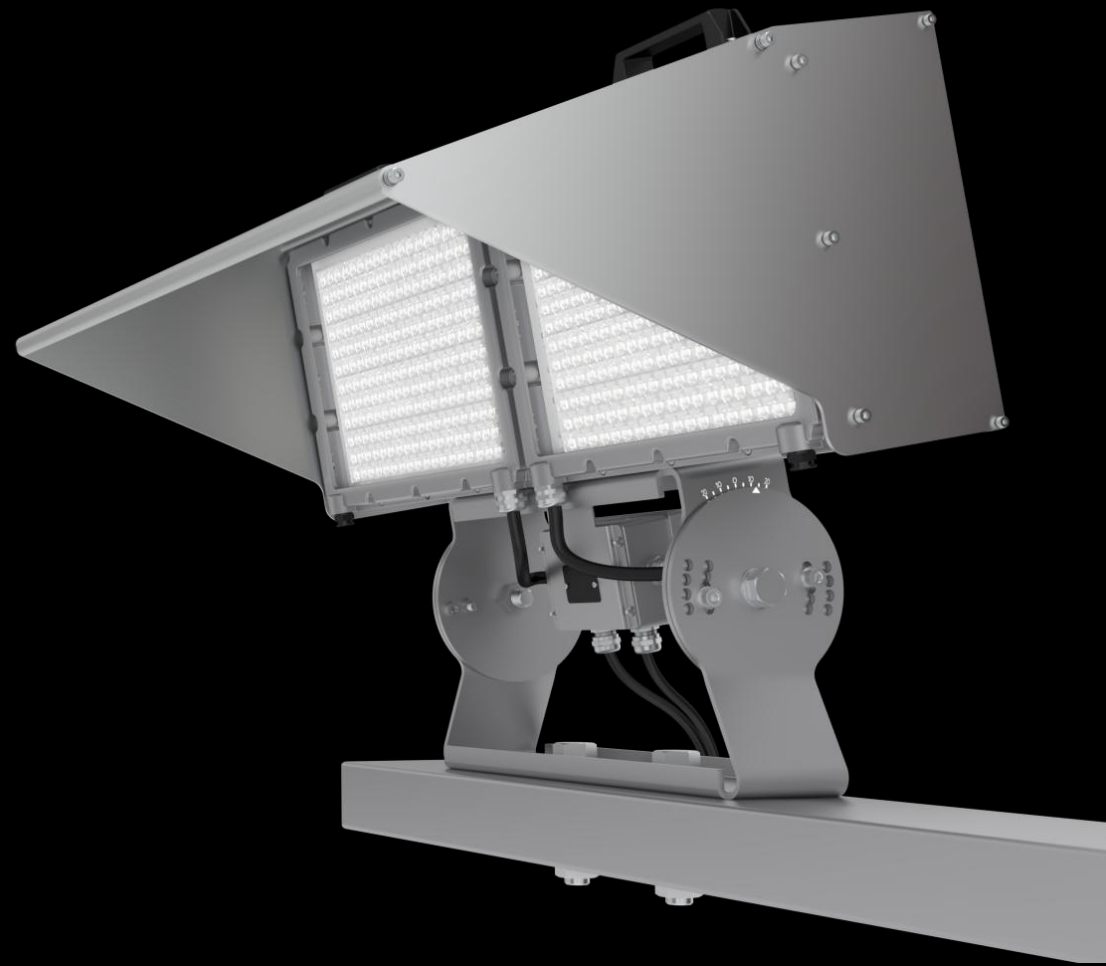


Round Shape  
Compact design

# Market Analysis

FL10 Sports lighting isn't just for large stadiums and professional sporting venues, it is also for airport and Wharf, maybe required in community recreation facilities ,club,school etc.

As the technology matures on high power LED fixture , LED Light with its distinct advantages such as high efficiency, greater reliability and consistent system performance are widely required for the retrofit and new project now, we can see a huge potential market on such high power LED fixture .

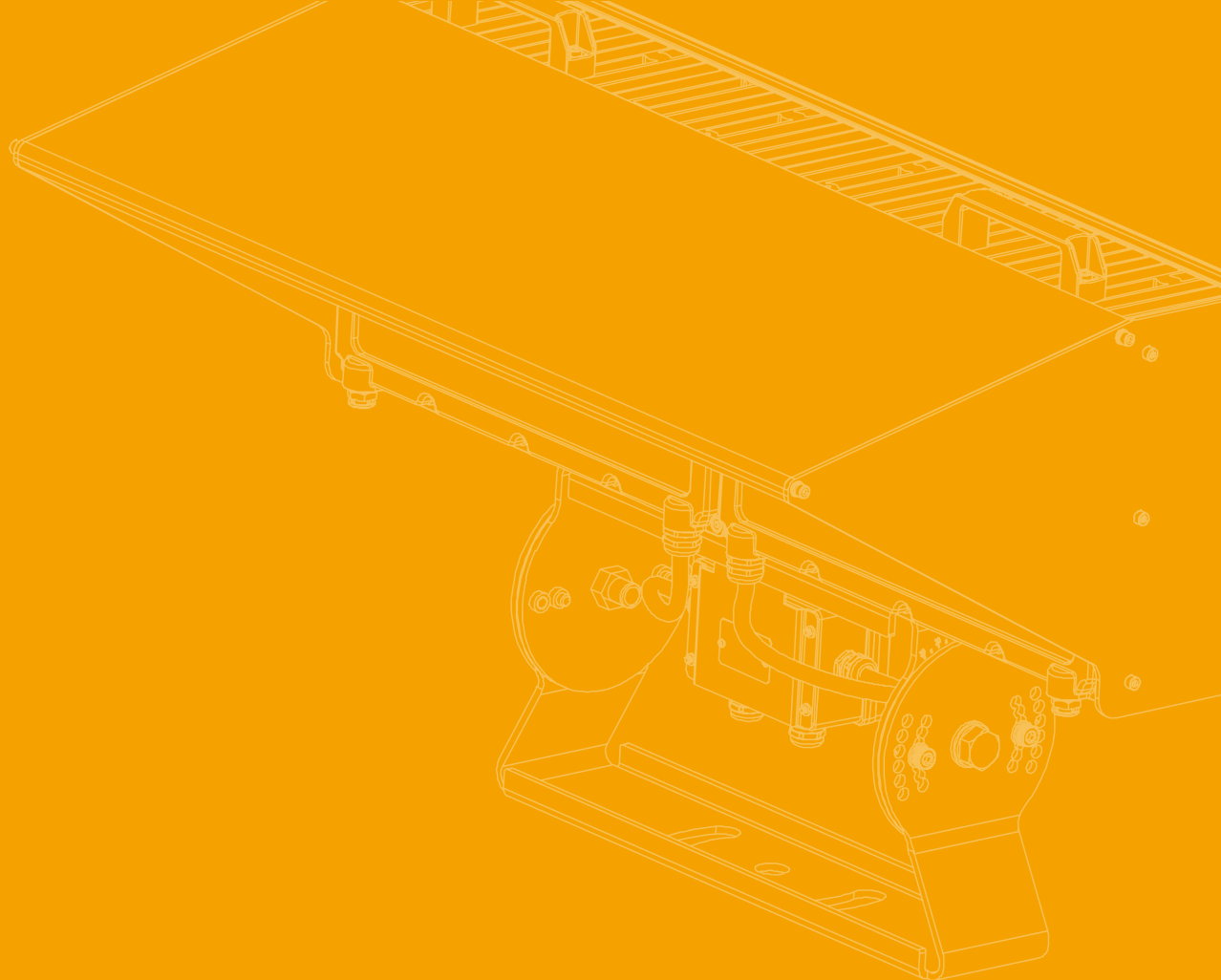


# TWO

## PRODUCT FEATURES

---

Sports lighting isn't just for large stadiums and professional sporting venues. It is also required in community recreation facilities, club, school etc.



# Overview

FL10 1200W flood light with asymmetrical optics.

High powered design for the sports field and area lighting to replace 2000W HID.

The heat sink is constructed primarily with pure aluminum, which has the most durability and good heat dissipation performance.

As we know that the glare and spill light are two pain points for the sports lighting . Our FL10 is designed to overcome it . The special structure design make people won't see the light source when stand on the ground ,and polarized optic help to minimize glare and get the best uniformity.

And optional smart control solution like 1-10V dimming, DALI, or DMX can help you to control the lighting system easily.



# Product Image

---



LED module

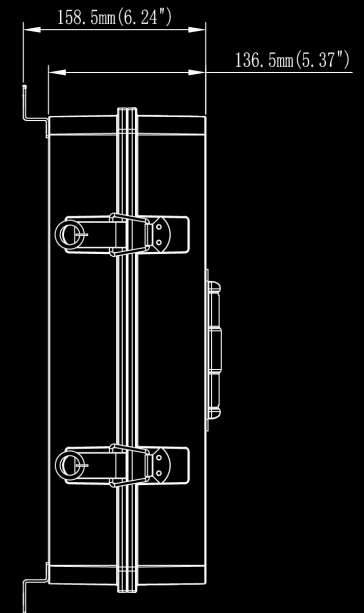
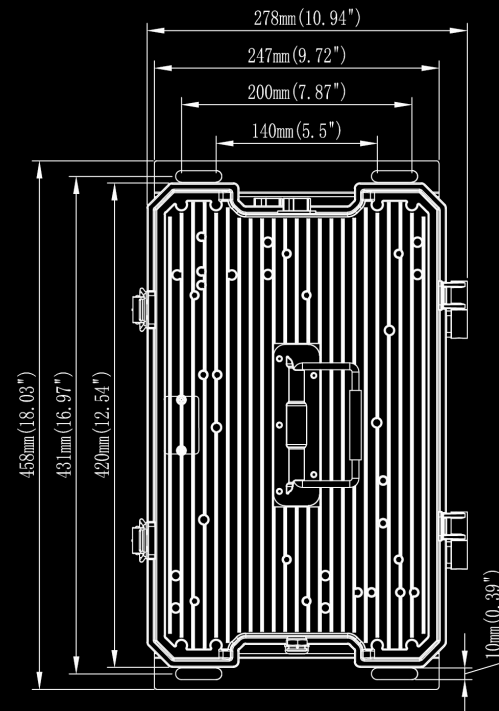
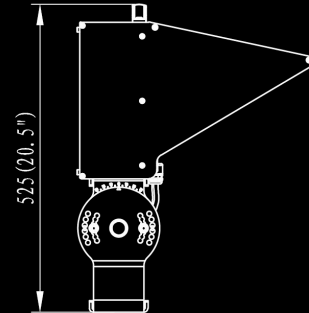
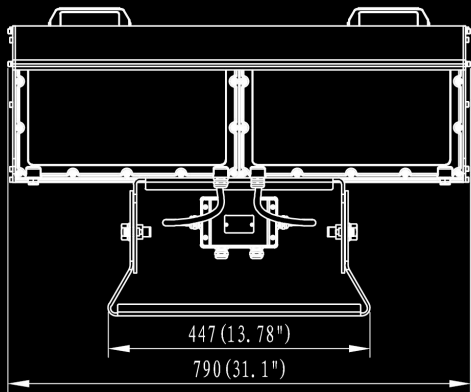
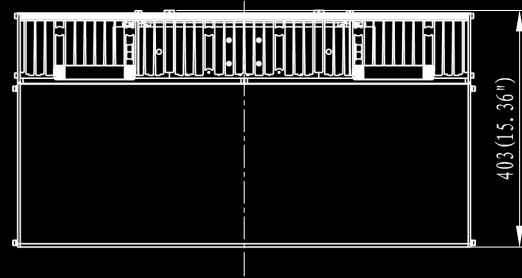
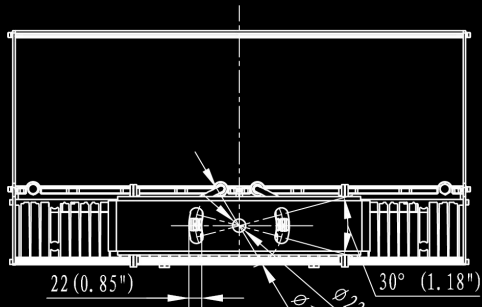


Driver box(black)

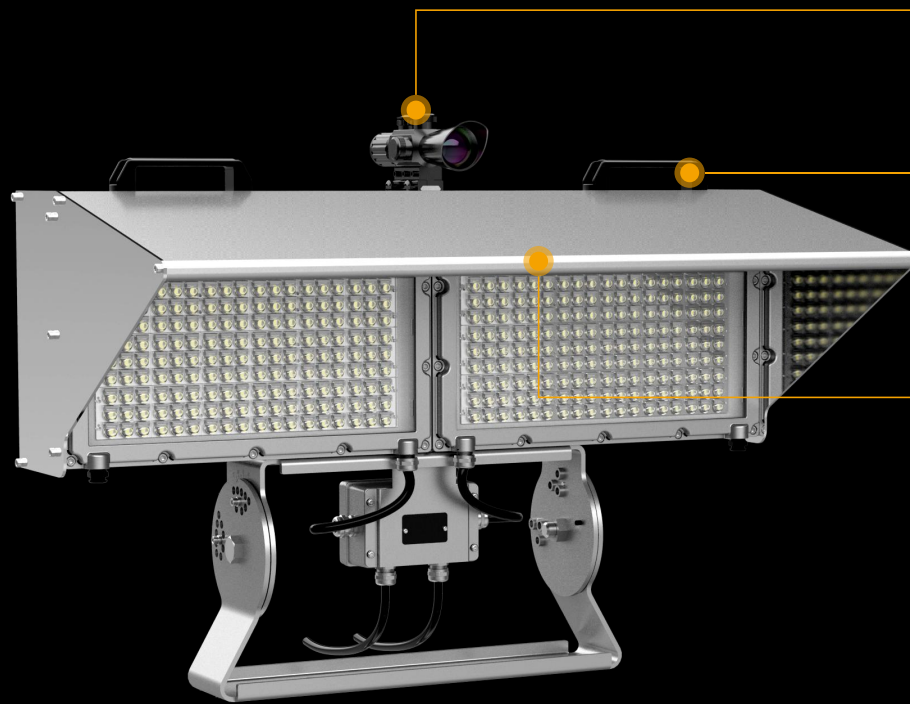
# Technical Data

Item	LED module	Driver box
Power	1200W	1200W
Color	Silver gray	Black
Efficacy	130lm/W	/
CCT/CRI	5000K Ra70 (4000K optional)	/
Optical Lens	FL05401 FL05402	/
Input Voltage	108VDC	100-240VAC/277-480VAC, 50/60Hz (PF ≥0.9)
IP/SPD	IP66	10KV
Certification	CE	
LEDs	Osram Square3030	/
Driver	/	Inventronic EUD-600S560DV(2pcs)
Ambient Temperature	-30°C~+50°C	
Net Weight	28.5 ± 0.3kg	12.5 ± 0.3kg
EPA	1.28	1.64

# Dimensions



# Features



## Aiming device

Aiming device for easy and fast installation.

## Hand grip

Humanized design.

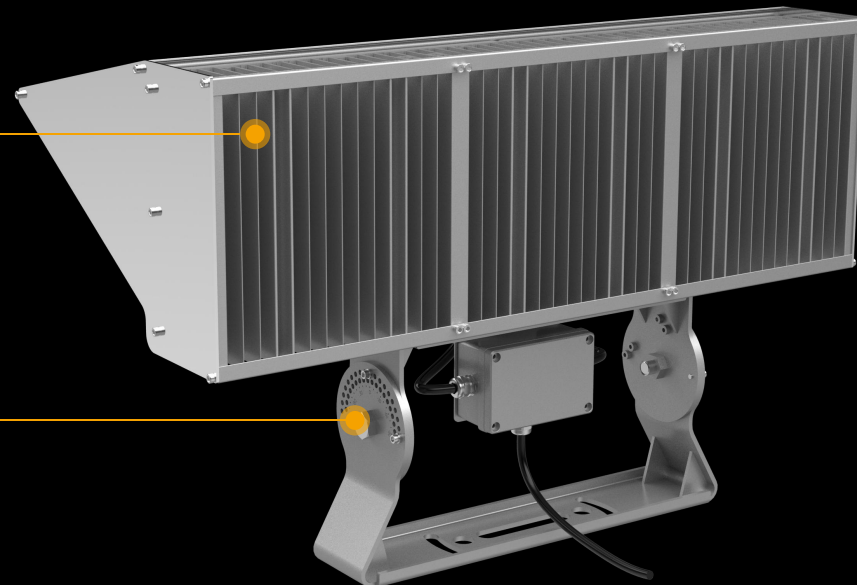
It's convenient for workers to carry it during installation and maintenance

## Visor

Reducing glare and upward light

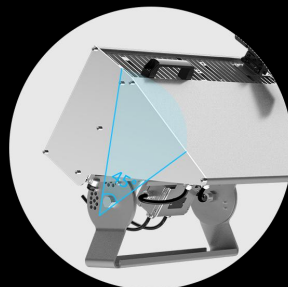
## Pure aluminum heat sink

pure aluminum body with strong anti-corrosion performance and excellent heat dissipation ability.



## Reliable Adjustable bracket

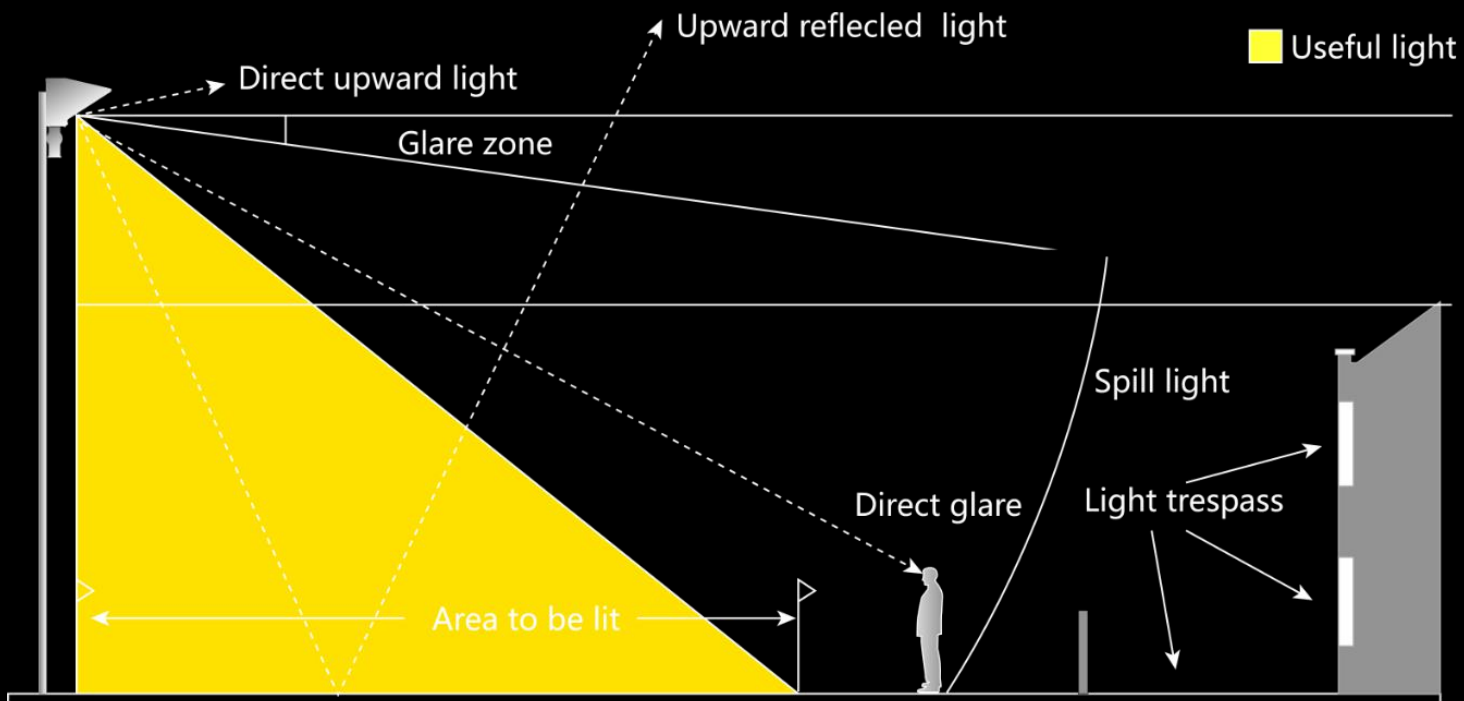
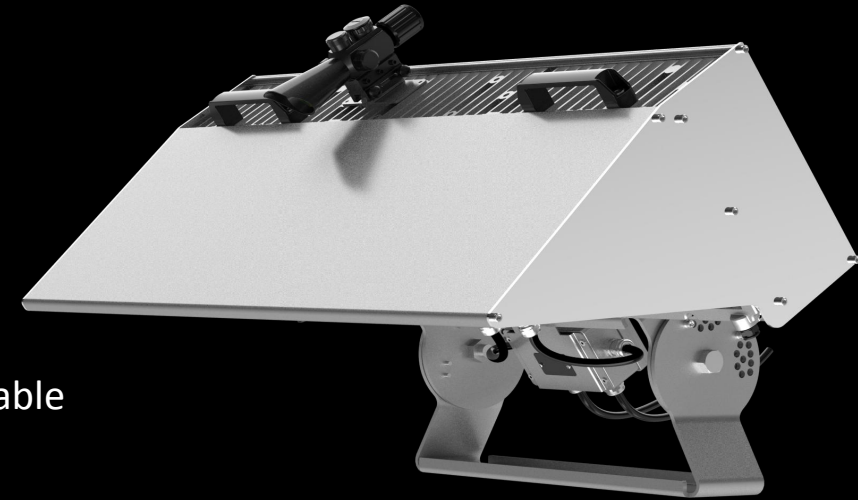
with double layer surface treatment  
more strong on anti-corrosion



# Optics

Professional Optics and special structure design to achieve human-centric Lighting.

People won't see the light source when standing on the ground, Low glare, No uplight, excellent control of backlight and spill light. , which makes FL10 an ideal product to make the environment comfortable and friendly.



# Optics

*Increasing efficiency and decreasing environmental impact.*

**Today**

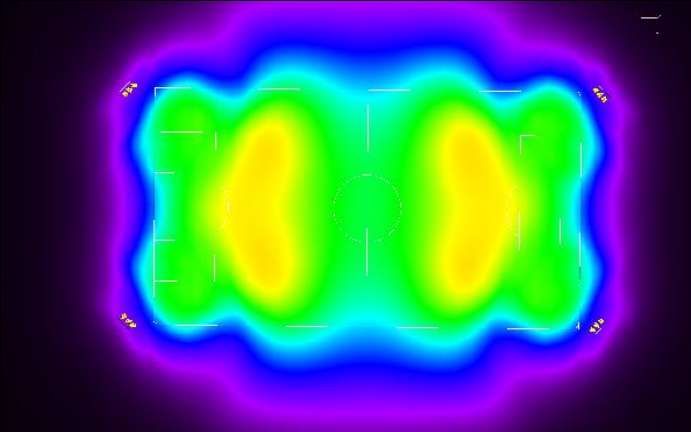
AGC LED  
System

**Today**

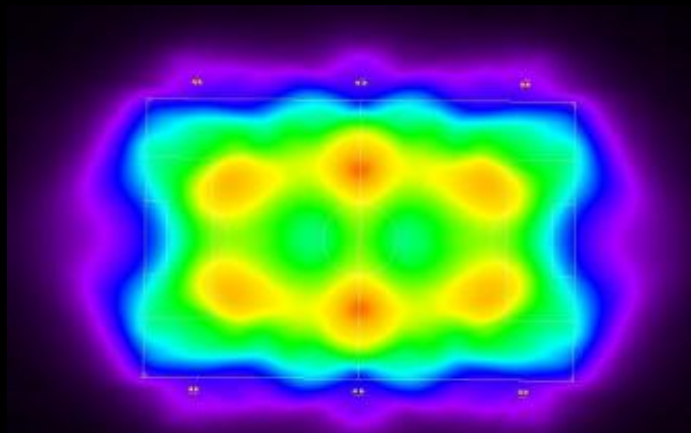
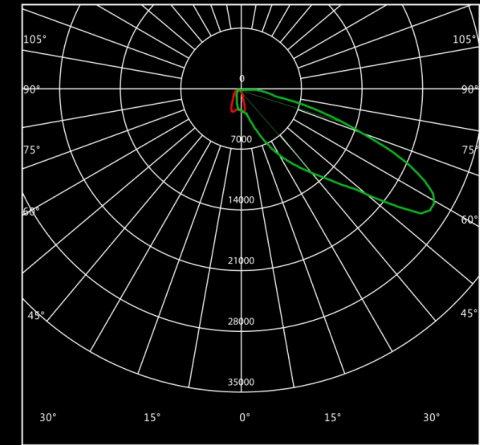
Other Luminaire  
Manufacturer  
LED



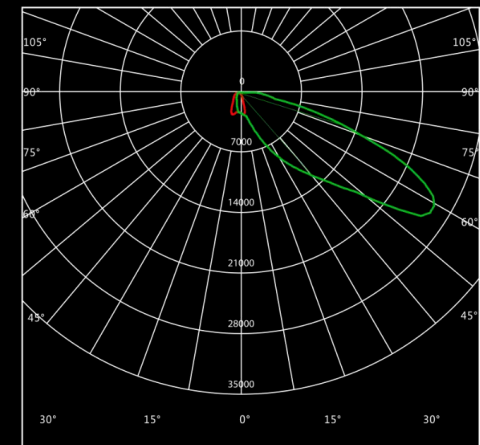
# Lighting Simulation



Sports Field:100\*60M  
Poles:4pcs  
Installation  
height:16M  
Light Quantity: 8pcs  
Eav: 99lux  
**U0:0.71**  
Emin/Emax:0.53



Sports Field:100\*60M  
Poles:6pcs  
Installation  
height:24M  
Light Quantity: 12pcs  
Eav: 150lux  
**U0:0.52**  
Emin/Emax:0.34



# LifeSpan

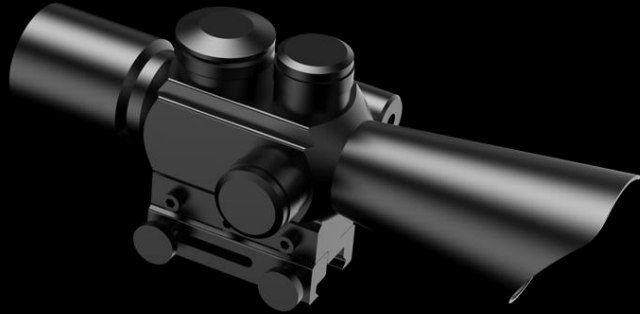
L90B10=100,000HOURS @25°C

1000mA				
TJ	LxxB10		LxxB50	
55	L70B10	100khrs	L70B50	100khrs
55	L80B10	100khrs	L80B50	100khrs
55	L90B10	100khrs	L90B50	100khrs
85	L70B10	100khrs	L70B50	100khrs
85	L80B10	100khrs	L80B50	100khrs
85	L90B10	100khrs	L90B50	100khrs
105	L70B10	100khrs	L70B50	100khrs
105	L80B10	100khrs	L80B50	100khrs
105	L90B10	95khrs	L90B50	100khrs

	test 1 (°C)	Test 1 rise(k) 温升
1.LED-	74.312	48.873
2.LED-	75.203	49.764
3.LED-	71.733	46.294
4.LED	78.623	53.184
5.LED	78.364	52.925
6.LED	74.368	48.929
7.Metal enclosure outside	67.141	41.702
8.Metal enclosure outside	57.847	32.408

FL10 adopt high quality Osram Square LED chips, This LED chips has the feature with high quality ,high brightness and long lifespan. From the LM80 test report and our temperature report ,We can see the FL10 is L90B10=100,000Hours @25°C

## Accessory



Lamp aiming device



Bird-proof sleeve

---

## Intelligent Control

---

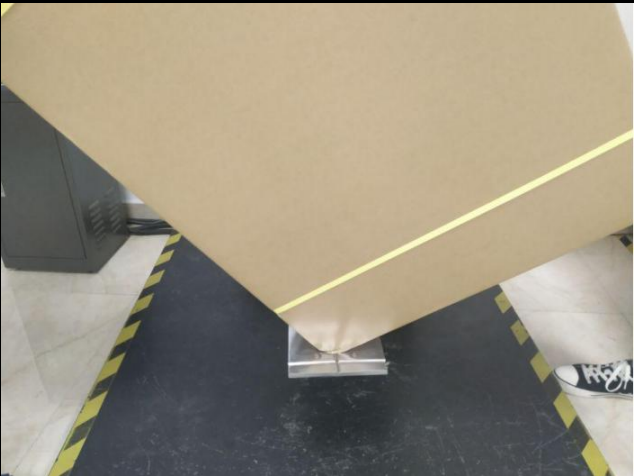


DALI dimming



DMX system compatible

# Reliability Test



Drop Testing



Temperature Testing



IPX6 Testing



Surge Testing



IK08 Testing

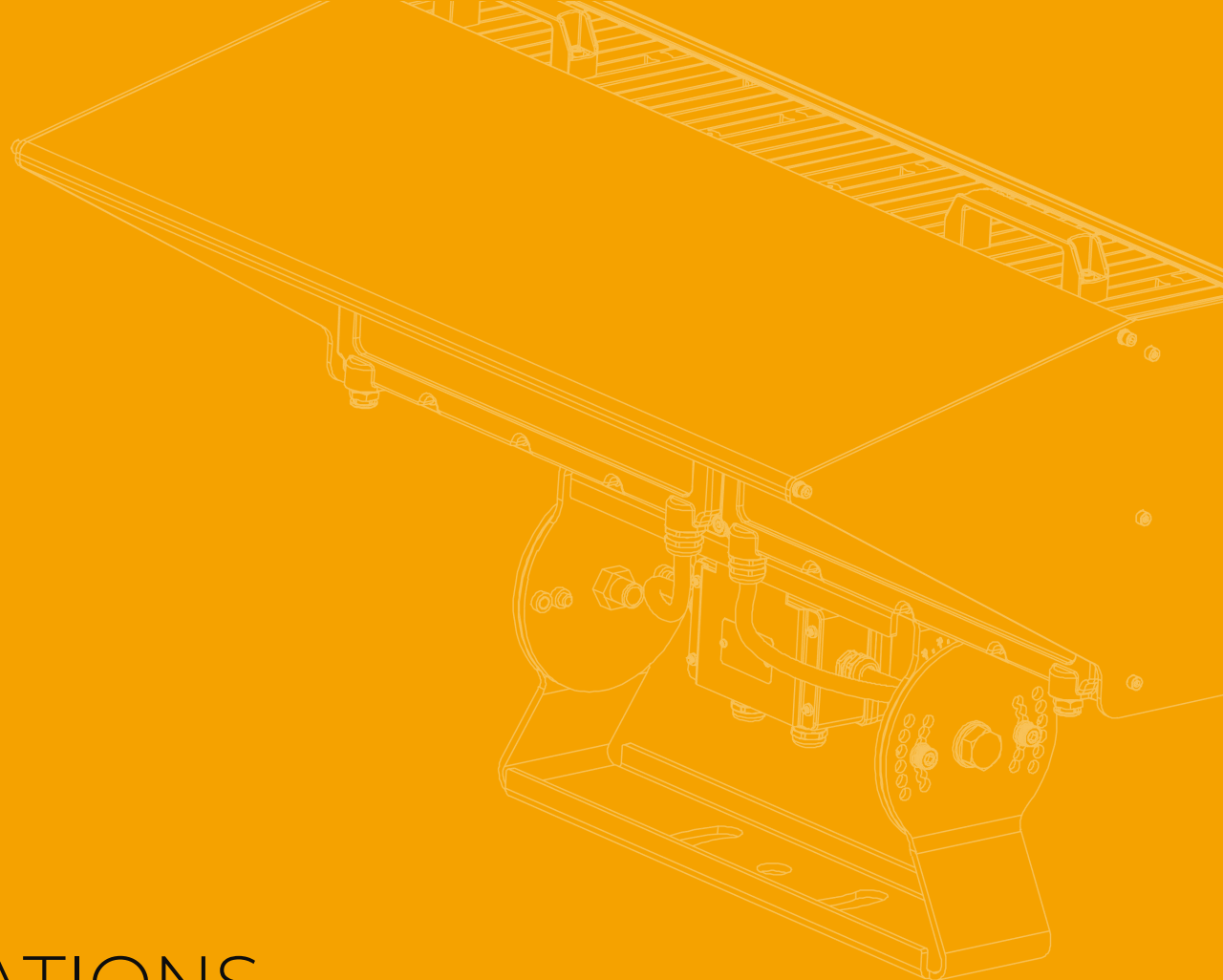


Load bearing Testing

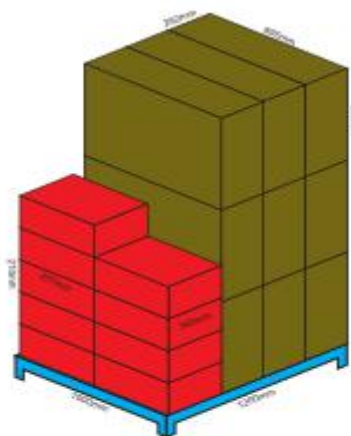
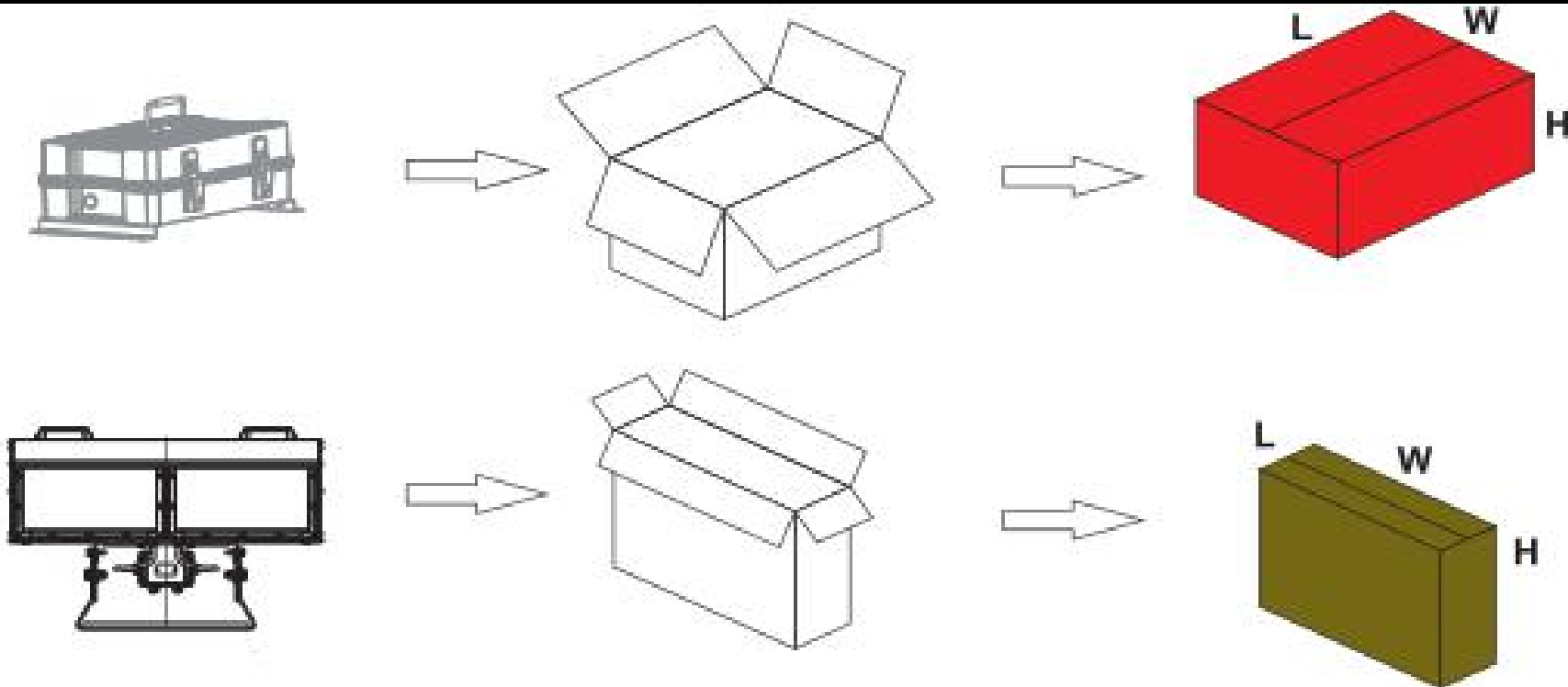
# THREE

## INSTALLION & APPLICATIONS

FL10 LED flood light is designed for the sports filed and area lighting to replace 2000W HID.



# Package



1200W:  
9 PCS for each layer

20ft GP:

Size:5919mm\*2340mm\*2380mm

Each pallet stack up to 3 / 4 layer(H=2055mm)

Container: 9\*10=90PCS

40ft GP:

Size:12045mm\*2340mm\*2380mm

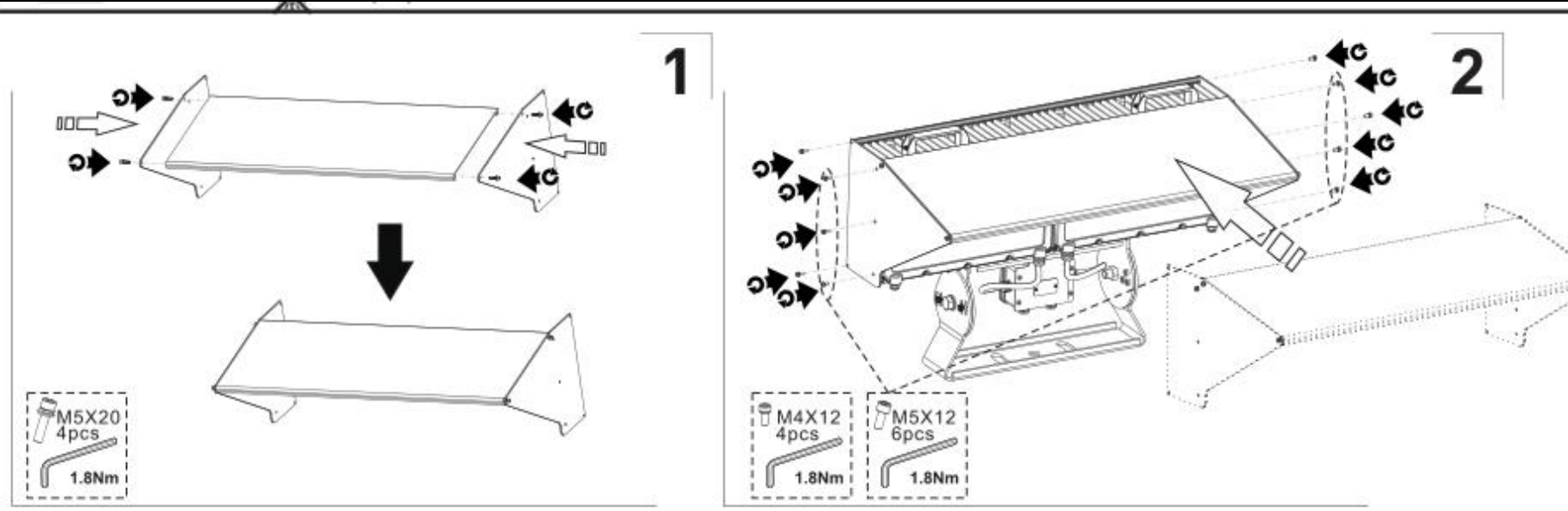
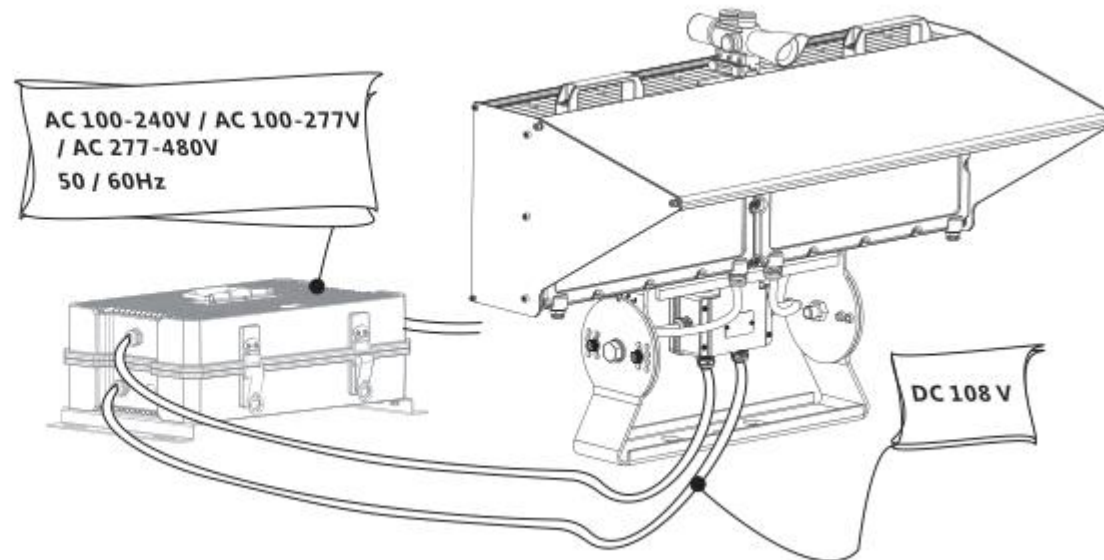
Each pallet stack up to 3 / 4 layer(H=2055mm)

Container: 9\*20=180PCS

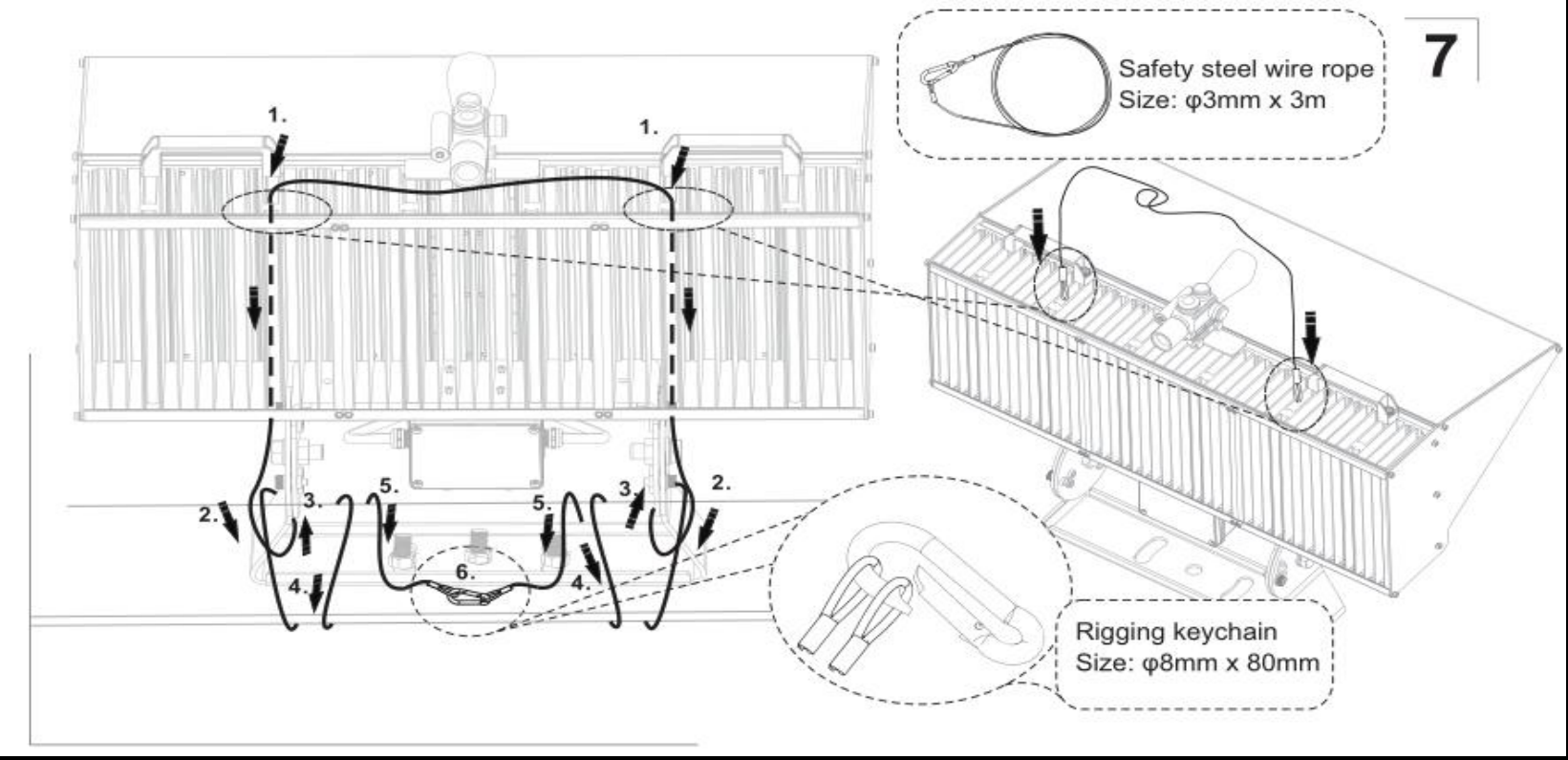
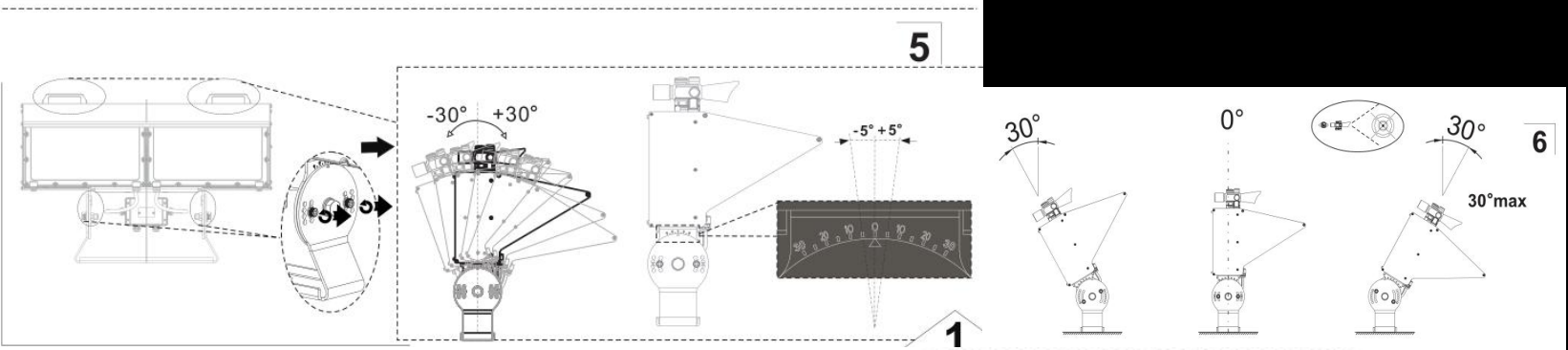
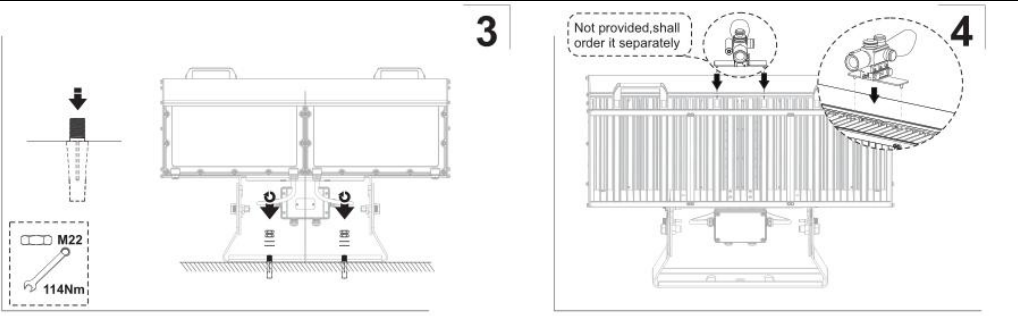
# Installation

Packing list	
Luminaire body	1pcs
Visor	1pcs
Baffle	2pcs
Screw M4X12	4pcs
Screw M5X12	6pcs
Sems screw M5X20	4pcs
Safety steel wire rope	1pcs
Rigging keychain	1pcs
Instruction manual	1pcs

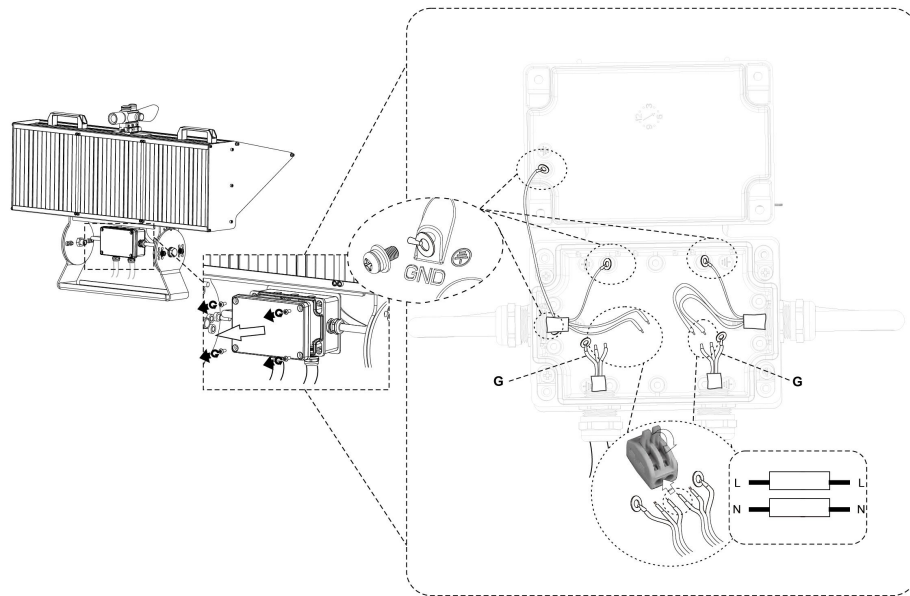
Note: Driver box is packed separately.  
AC and DC cables are not provided



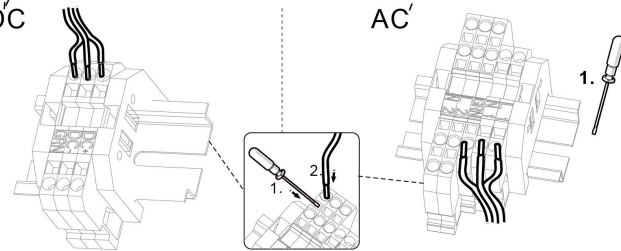
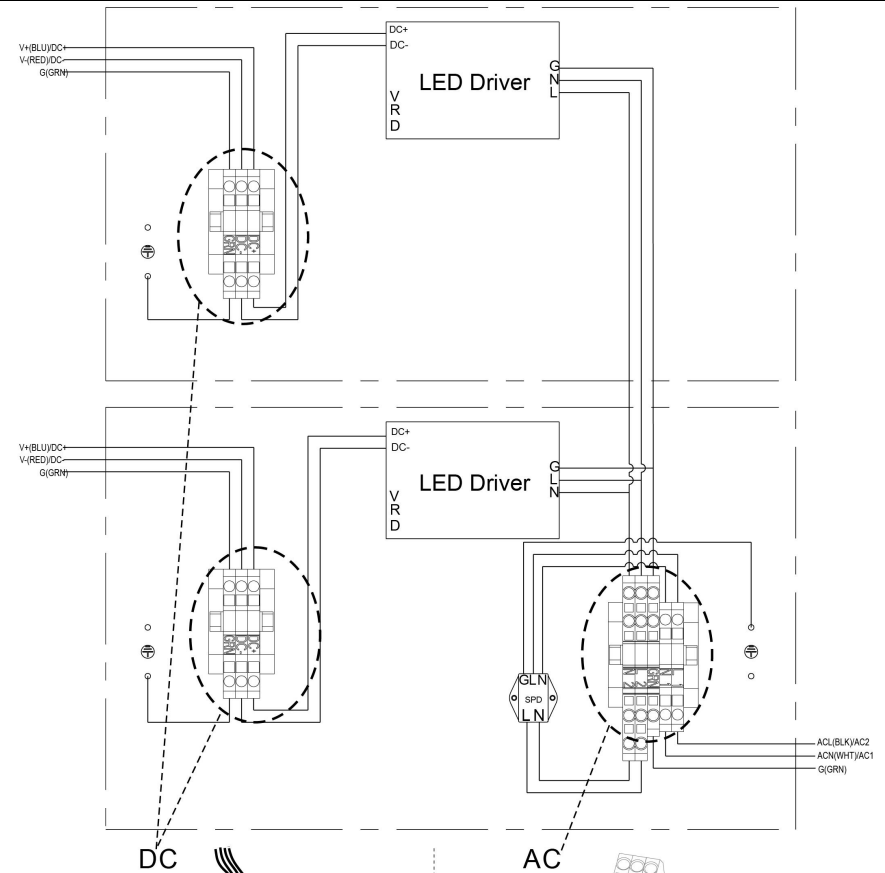
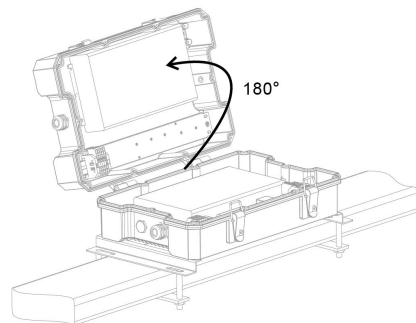
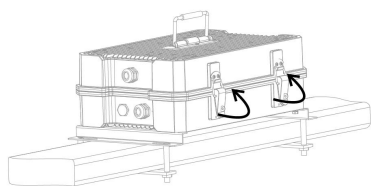
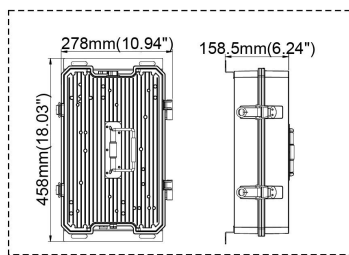
# Installation



# Installation



Driver BOX



Dimmable							
DIM+ / DA1	blue	brown	purple	white	L	brown	black
DIM- / DA2	white	blue	gray	black	N	blue	white
Ⓞ GND	yellow/green	green			Ⓞ GND	yellow/green	green

# Applications

---



Sports Field



Other area lighting



Wharf



Airport

THANK YOU

luzon  
lighting™