

Entry / ECO    Standard / STD    Professional / PRO    ODM & OEM    Intelligent / INT

**STD**  
Specifications



**LED Downlight**  
**DL297B Series**

**luzon**  
lighting™



## Introduction

This downlight adopts high lumen COB light source, the special optic lens and reflector design offer a uniform light output and low glare effect. It can do 320 degree horizontal rotation and 90 degree vertically rotation which meet more application lighting demand. What's more, the reflector is a modular design, very convenient for replacement. It has round shape, square shape with single/ double/triple heads which is suitable for various application area. Surface mounted and wall mounted installation with quick clips, easy for installation and maintenance.

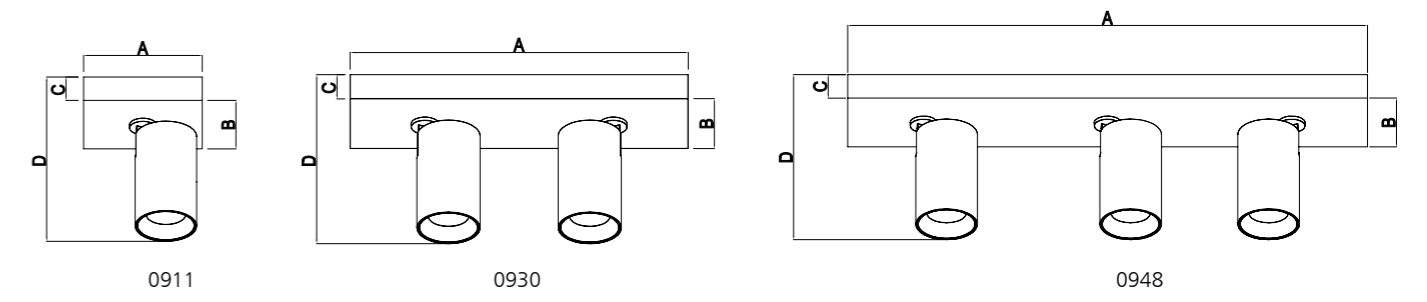
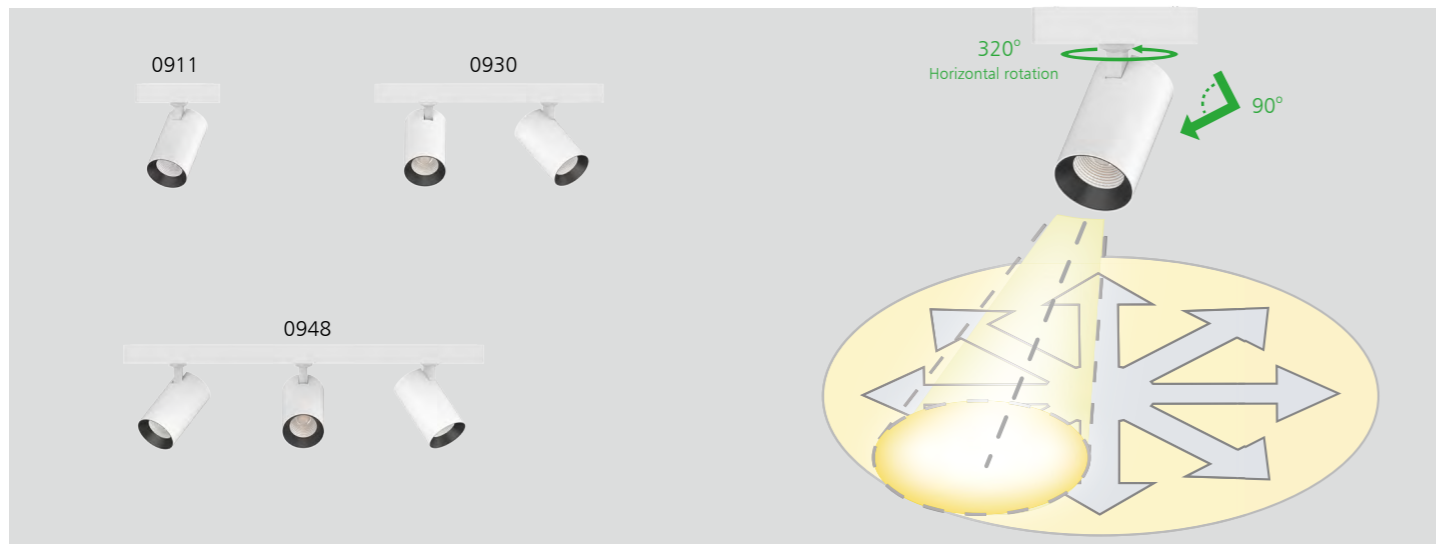
## Features

- Modular design for reflector, 24°/36° options.
- Shape option: Round, square with single/double/triple light heads.
- AL6063 aluminium housing provides a great thermal management.
- Special lens design offers low glare effect.
- RA80/RA90 options.
- Internal flicker free driver.
- Triac dimming available.
- Surface mounted and wall mounted installation with quick clips.

## Application Areas

It is designed for general lighting applications in office, supermarket, shopping mall, restaurant, hotel, etc.





## Technical Data Sheet

Code No.	DL297B-0911-10W/14W	DL297B-0930-20W/28W	DL297B-0948-30W/42W		
Dimension(mm)	110*90*134	305*90*134	480*90*134		
Cutout (mm)	-				
Watt(W)	10W/14W	20W/28W	30W/42W		
Rated Input Voltage(V)	AC230V				
Input Voltage(V)	AC220-240V				
LED Module Input	DC33-38V				
Light Source	COB				
SDCM	<6				
CCT(K)	2700K/3000K/4000K/5000K				
CCT Selection DIP Switch	-				
Luminous Flux (lm) ±5%	Non-DIM	1-CCT	10W: 750-800	20W: 1500-1600	30W: 2250-2400
			14W: 1050-1100	28W: 2100-2250	42W: 3150-3350
	DIM	3-CCT	10W: 700-750	20W: 1400-1500	30W: 2100-2250
			-	-	-
CRI	80/90				
Beam Angle (°)	24°/36°				
UGR	UGR < 19 @24°				
LED Driver	Built-in				
Dimming Option	Triac				
Sensor	NO				
Emergency Kits	NO				
Electrical Class	Class I				
Ingress Protection (IP Rating)	IP20				
Impact Resistance (IK Rating)	-				
Product Finishing(Base)	White RAL9016/Black RAL9005				
Materials of Optics	PC				
Materials of Housing	PC&Aluminum				
Lifetime (hr)	50,000h				
Glow wire test (°C)	850°C				
Operating Temp. (°C)	-20°C ~40°C				
Storage Temp. (°C)	-20°C ~65°C				
Installation	Surface mounted				

## Measurement

Code	Dimension(mm)				Size(mm)	Product Weight (Kg)		Package weight (Kg)		Carton Size (cm)	Qty/CTN	20GP (pcs)	40HQ (pcs)
	A	B	C	D		N.W/PC	G.W/PC	N.W/CTN	G.W/CTN				
DL297B-0911-10W/14W	110	90	25	134	110*90*134	0.62	0.72	17.28	18.18	55.5*37.5*38	24	8928	19440
DL297B-0930-20W/28W	305	90	25	134	305*90*134	1.13	1.33	15.96	16.86	55.5*37.5*38	12	4464	9720
DL297B-0948-30W/42W	480	90	25	134	480*90*134	1.58	1.86	11.16	11.87	54.5*28.5*38	6	3024	6804

## Driver Datasheet (Non-dimmable)

Total load wattage		10W	14W	10W*2	14W*2	10W*3	14W*3
Output	Output Voltage range	DC30-40V					
	Rated output current	250mA	350mA	250mA*2	350mA*2	250mA*3	350mA*3
	Line Regulation	±5%					
	Setup, Rise Time	<0.5S					
	Flickering Index	1%; IEEE1789 NO RISK					
Input	Input Voltage	AC180-265V					
	Rated Input Voltage(V)	AC200-240V					
	Frequency	50/60Hz					
	Input Current	0.07A	0.1A	0.13A	0.18A	0.19A	0.26A
	Rated Input Current	0.06A	0.09A	0.11A	0.16A	0.17A	0.24A
	Power Factor	0.9					
	THD	<20% @230V					
	Efficiency	≥82%			≥85%		
	No load wattage	<0.5W					
Protection	Short circuit protection	PASS					
	Over voltage protection	PASS					
	Over temperature protection	PASS					
Safety & EMC	Withstand voltage	I/P-O/P:3.75KVac, <5mA 60S;					
	Isolation Resistance	I/P-O/P: 500VDC, ≥100M Ω					
	Surge	IEC/EN61000-4-5(P<25W; L-N:0.5KV, L/N-PE:1KV)					
	EMC Emission	EN55015, EN61000-3-2					
EMC Immunity	EN61000-4-2,3,4,5,6,8,11; EN61547						

# Driver Datasheet (Triac Dimmable )

Total load wattage		10W	10W*2	10W*3
Output	Output Voltage range	DC30-40V		
	Rated output current	230mA	230mA*2	230mA*3
	Line Regulation	±5%		
	Setup, Rise Time	<0.5S		
	Flickering Index	5.5%(LOW RISK)		
Input	Input Voltage	AC200-240V		
	Rated Input Voltage(V)	AC230V		
	Frequency	50Hz		
	Input Current	0.06A	0.12A	0.17A
	Rated Input Current	0.05A	0.1A	0.15A
	Power Factor	0.9		
	THD	<20%@AC230V		
	Efficiency	≥78%		
	No load wattage	≤1W		
	Short circuit protection	PASS		
	Over voltage protection	PASS		
Over temperature protection	PASS			
Safety &EMC	Withstand voltage	I/P-O/P:3.75KVac,<5mA 60S;		
	Isolation Resistance	I/P-O/P: 500VDC, ≥100M Ω		
	Surge	IEC/EN61000-4-5(P<25W;L-N:0.5KV, L/N-PE:1KV)		
	EMC Emission	EN55015, EN61000-3-2		
EMC Immunity	EN61000-4-2,3,4,5,6,8,11; EN61547			

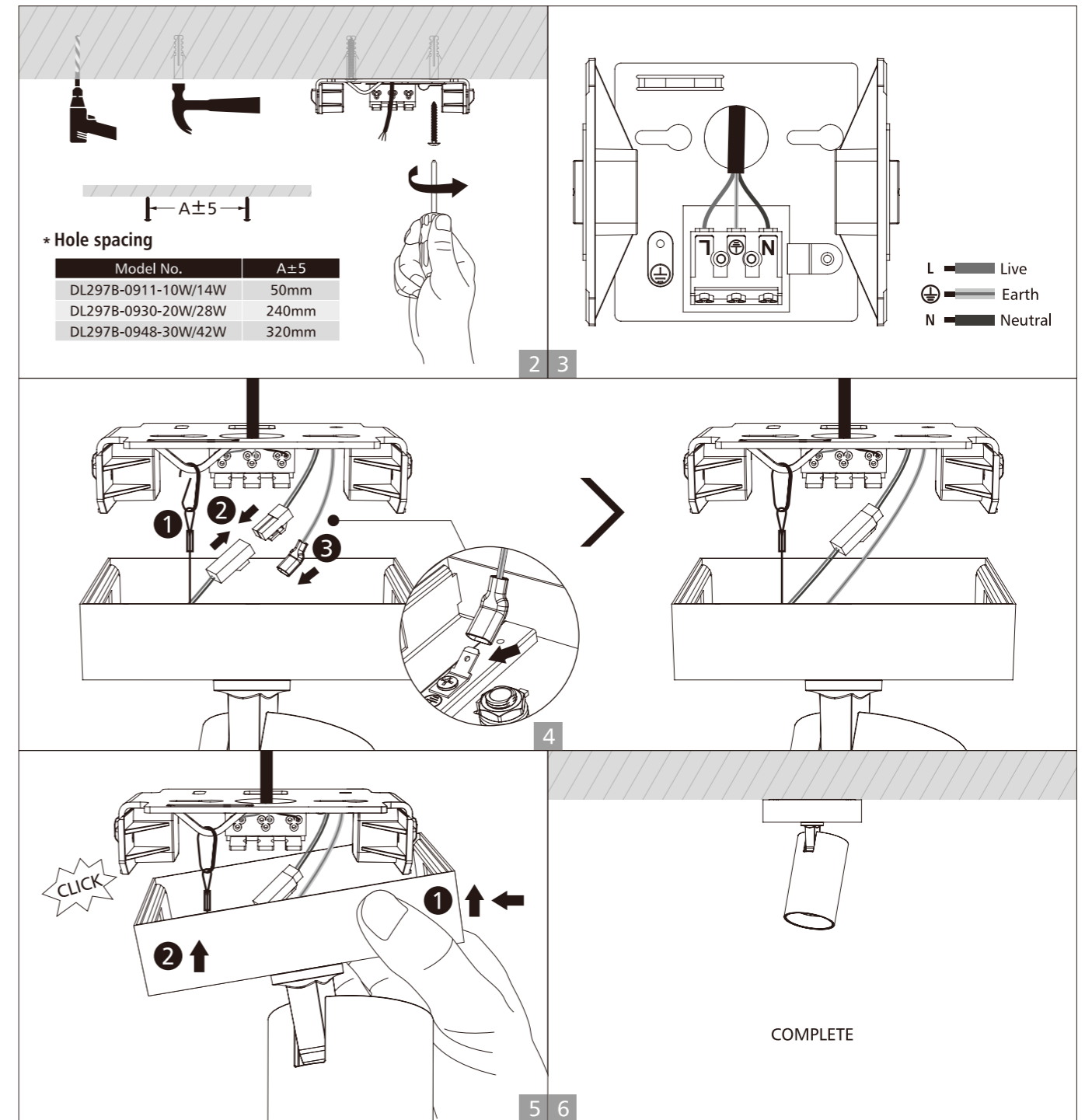
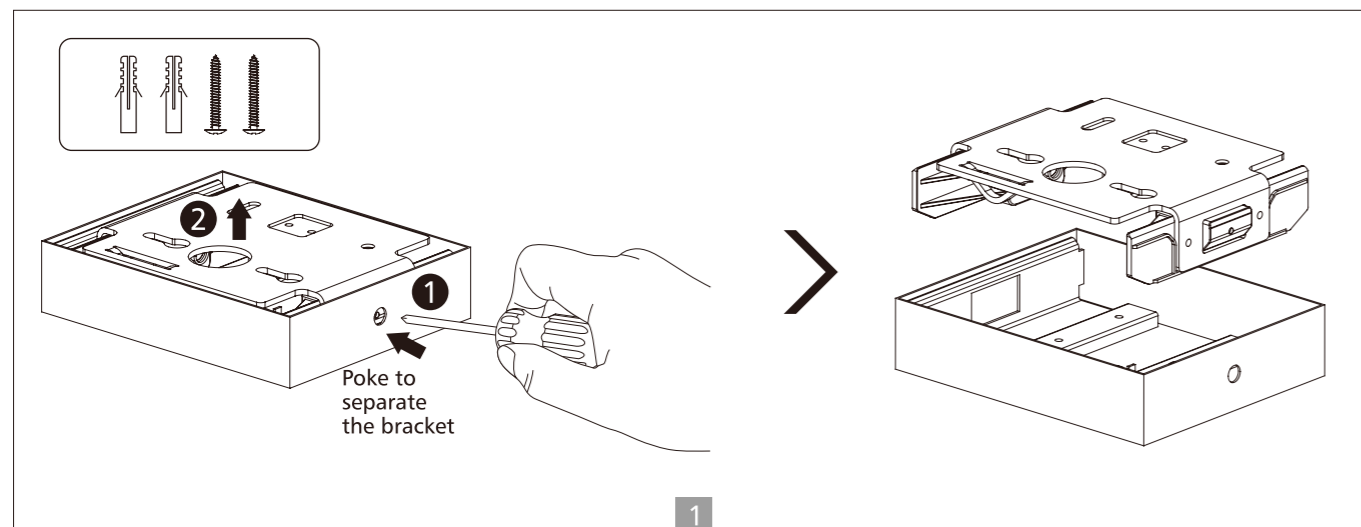
## Installation Procedure

### WARNING

- 1.Switch off power supply before installation / maitenance.
- 2.Switch on only after complete installation and examination of the circuit.
- 3.Professional electrician for installation and maintenance only.



## Screw surface mounted installation



**ECO**  
Specifications

**STD**  
Specifications

**PRO**  
Specifications

**ODM**  
Specifications

  
**INT**  
Intelligent