



LED Downlight
DL202

luzon
lighting™

Introduction



DL202 LED under cabinet light with ADC12 aluminum light body, providing good heat dissipation. 70 degree beam angle with lens. Adopting 12V constant voltage driver, 3-way and 6-way distributor for options.

Features

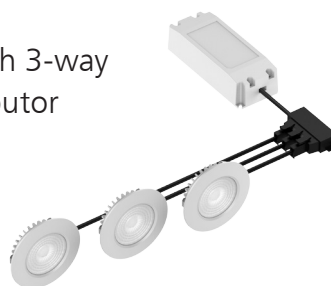
1. IP54 waterproof.
2. Up to 6 lights can be operated integrally and individually.
3. Aluminum heat sink provides excellent thermal management.
4. Environment friendly, without Mercury or any other hazardous substances.

Application Areas

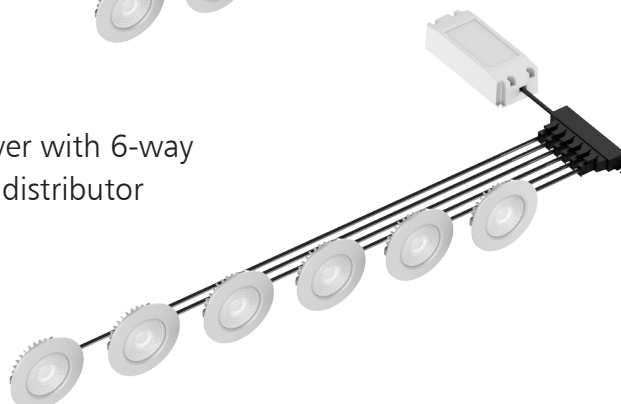
It is suitable for supermarket, specialty store, show window, exhibition hall; etc.

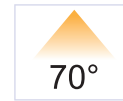
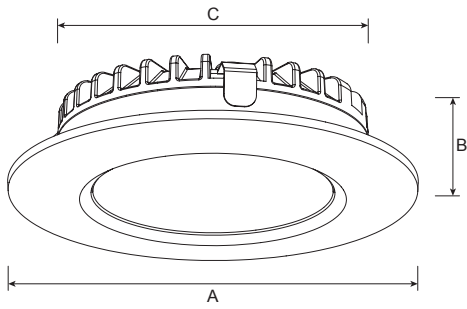


Driver with 3-way distributor





Driver with 6-way distributor





Measurement

Model	Dimension(mm)			Size(mm)	Product Weight (Kg)		Package weight (Kg)		Carton Size(cm)	Qty/CTN	20GP (pcs)	40HQ (pcs)
	A	B	C		N.W/PC	G.W/PC	N.W/CTN	G.W/CTN				
DL202-3W	70	17	53.5	Ø70*17	0.075*3	0.26	6.75	8.6	57*29.5*31.5	30*3	16170*3	37680*3
driver with 3-way distributor					0.125	0.16	11.25	15	57*21*32.5	90	70560	162000
driver with 6-way distributor												

Technical Data Sheet

Model No.	DL202-3W		
Watt(W)	3.5W		
Dimension(mm)	Ø70*17		
Cutout(mm)	Ø58		
Rated Input Voltage(V)	AC230V		
Input Voltage(V)	AC100-240V		
LED	SMD		
SDCM	≤6		
CCT(K)	1-CCT: 3000K / 4000K / 5000K / 5700K		
"Luminous Flux (lm) ±5%"	1-CCT	Non-DIM	240~300
		DIM	-
CRI	≥80		
Beam Angle (°)	70°		
LED Driver	Built-out		
DIM	NO		
Protection Class	Class II		
IP Rating	IP54		
IK Rating	-		
Finishing color	White RAL 9016		
Material	PC / Aluminum		
Lifetime (hr)	50,000h		
Glow wire test (°C)	850°C		
Operating Temp.(°C)	-20°C ~45°C		
Storage Temp.(°C)	-20°C ~65°C		
Installation	Recessed		
Brand Driver option	-		

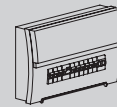
Driver Datasheet (Non-dimmable)

Power	10.5W	21W
Rated Input Voltage(V)	AC230V	
Frequency	50/60Hz	
Input Voltage	AC100-240V	
Efficiency	≥75%	≥82%
Total load wattage	10.5W±1W	21W±1W
Power Factor	0.5	0.5
Rated Input Current	≤0.06A	≤0.12A
Full load output voltage	DC12V	DC12V
Rated output current	750mA	1500mA
Output current range	750mA±5%	1500mA±5%
Power tolerance	5%	
Current output tolerance	5%	
Short circuit protection	PASS	
Over voltage protection	PASS	
Over temperature protection	PASS	
THD	-	
Surge	L-N 0.5KV	
Withstand voltage	AC3000V	

Installation Procedure

WARNING

1. Switch off before installation.
2. Switch on only after complete installation and examination of the circuit.
3. Professional electrician for installation and maintenance only.

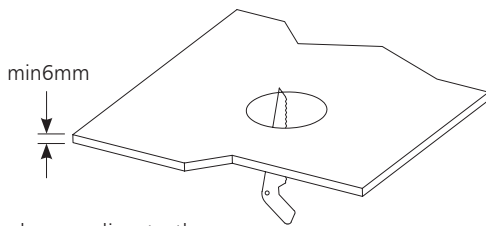


**Turn Off
Power Supply**

Turn Off power supply before starting any installation. Read instructions & check you have all the tools & accessories to complete the installation correctly.

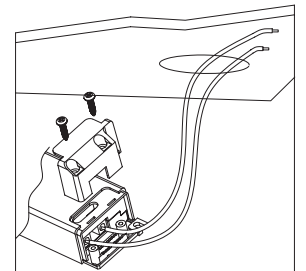
How to install

Step 1



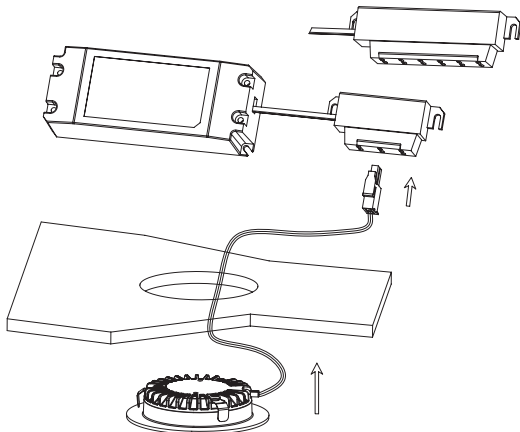
Open the hole according to the cutout of the light.

Step 2



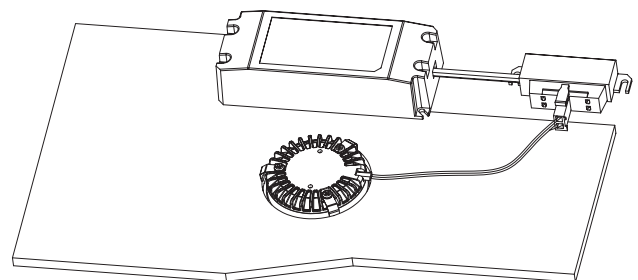
Use screw-driver to open the driver terminal cover, feed the main AC wire L. N. in terminal block respectively, then fix the cover back.

Step 3



Connect the light with the distributor, put the light into the ceiling.

Step 4



Installation completed.