

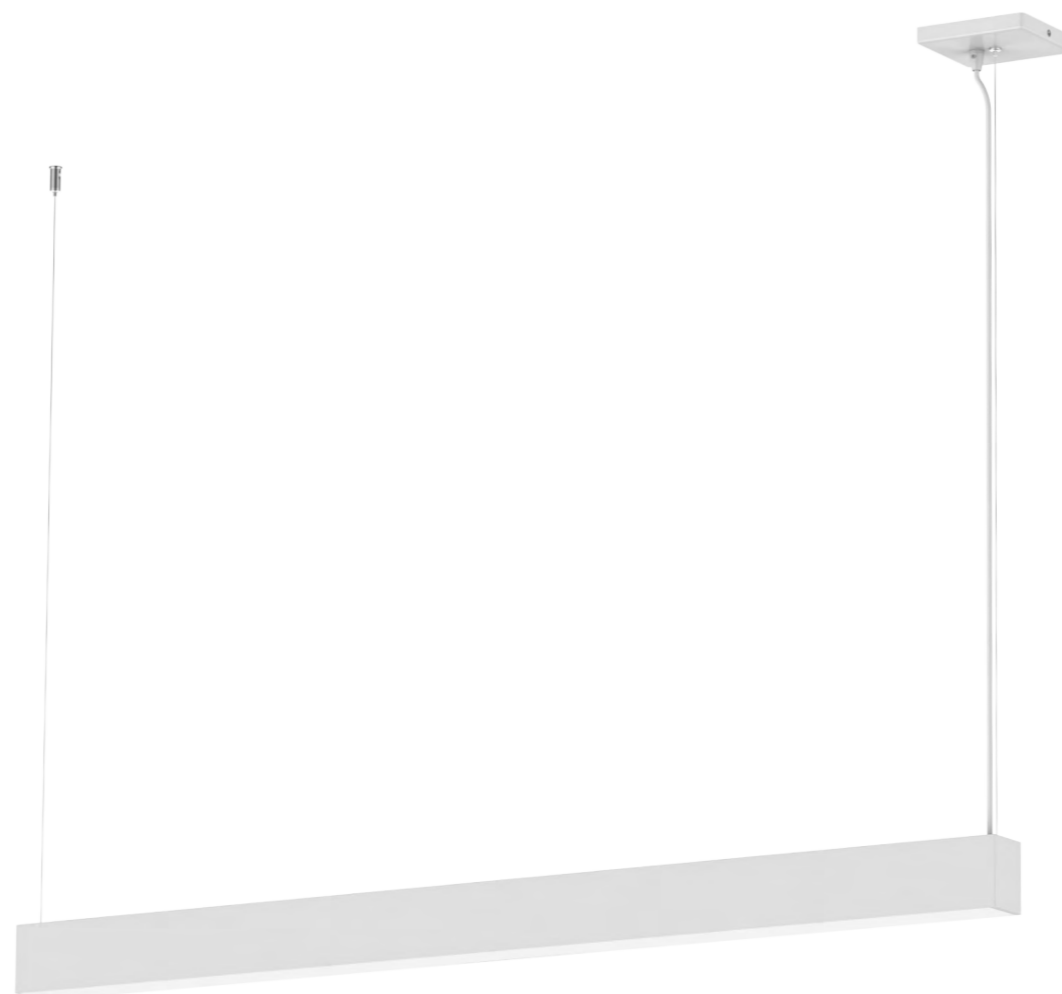
Entry / ECO

Standard / STD

Professional / PRO

ODM & OEM

Intelligent / INT



LED Batten
DB77 Series





Introduction

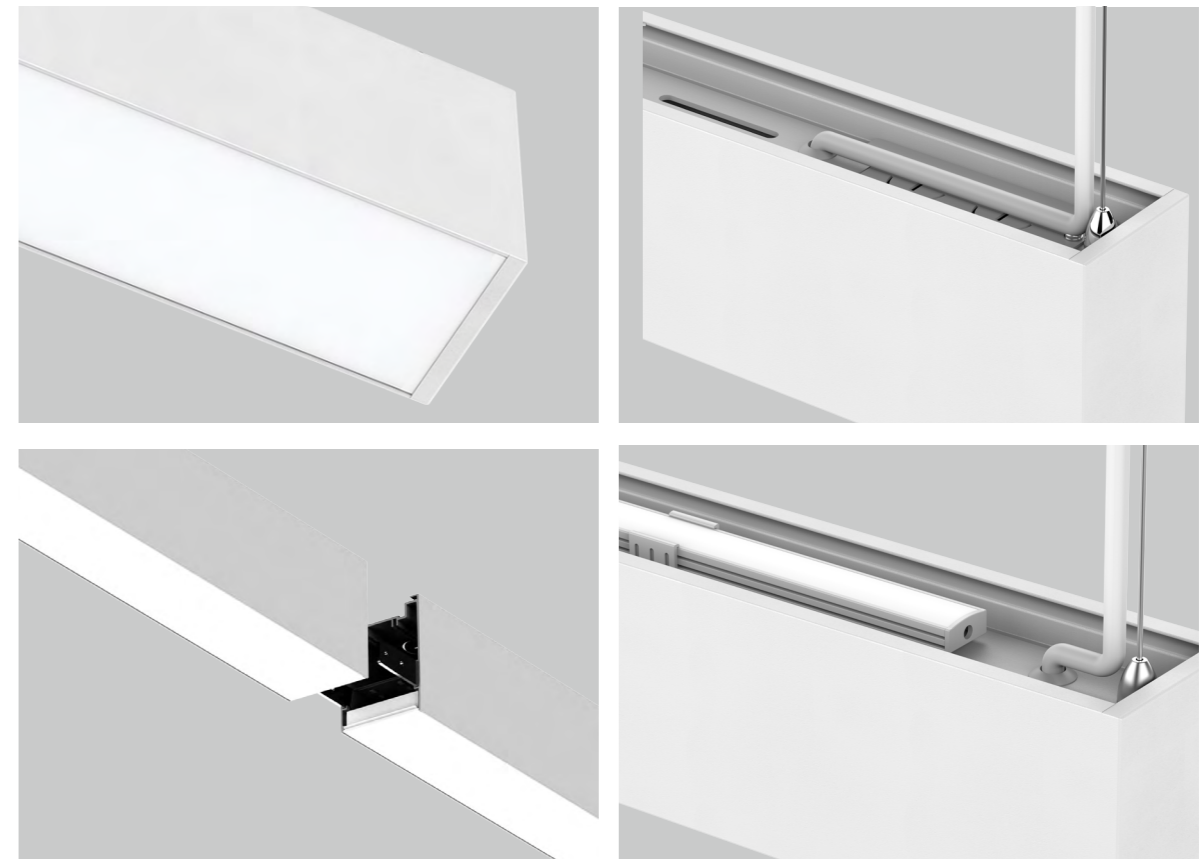
This linear fixture is a seamless splicing design, two lamp cover options: Standard cover and DIY soft cover. Adopt high lumen SMD light source, flicker free and high efficiency driver make a better lumen. Aluminum housing provides an excellent thermal management. Lighting design: Down lighting, up&down lighting, adjustable CCT, 0-10V dim. Mounting design: Suspended/surface mounting options.

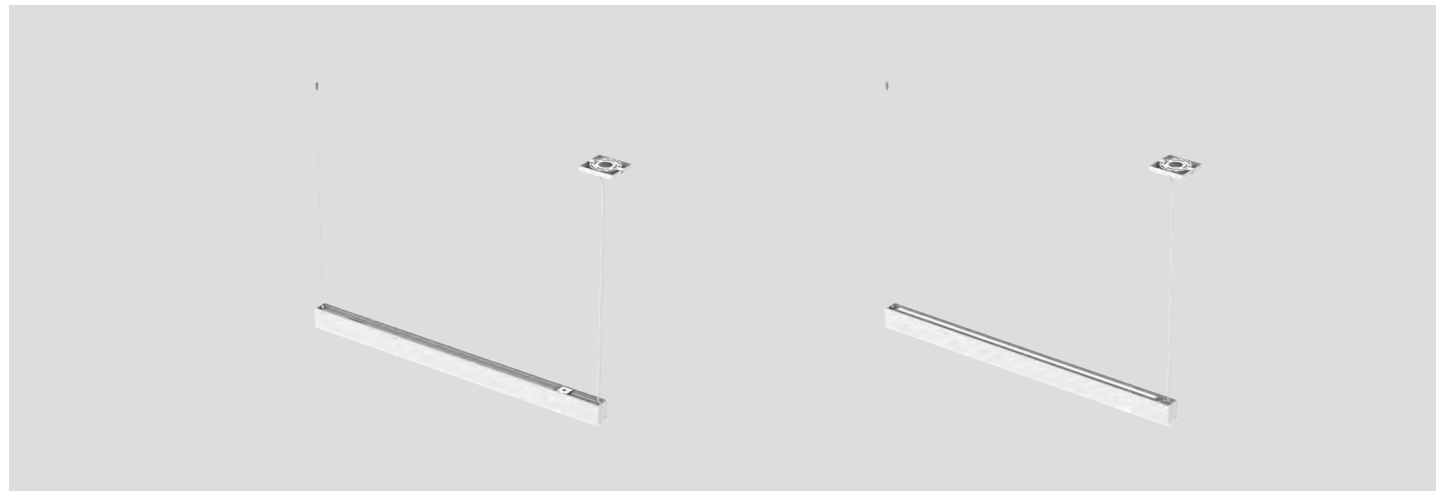
Features

- Seamless splicing design, standard cover only for one fixture, DIY soft cover can be cut by users after splicing several fixtures.
- Strong structure design, aluminum housing provides a great thermal management.
- Suspended/surface mounting installation.
- High lumen efficiency, 100lm/W,
- 3CCT adjustable 3000K+4000K+5000K.
- 2 feet /4 feet size options.
- Internal flicker free driver.
- 0-10V dimming.

Application Areas

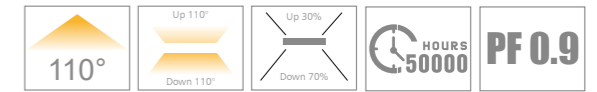
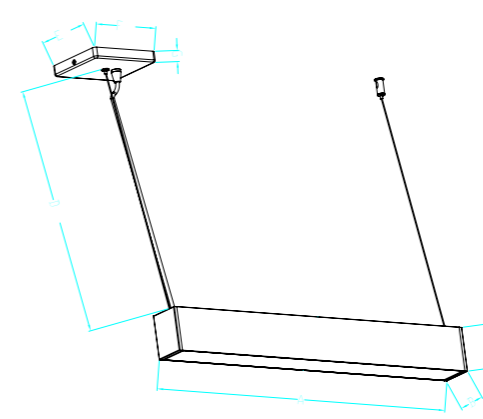
This linear fixture is widely used in shopping mall, office, car park, station, home.





Technical Data Sheet(1)

Code No.	DB77-600-18W	DB77-600-25W	DB77-1200-36W	DB77-1200-50W	
Dimension(mm)	602*57*76		1212*57*76		
Cutout (mm)	-				
Watt(W)	18	25	36	50	
Rated Input Voltage(V)	120				
Input Voltage(V)	120-277				
LED Module Input	-				
Light Source	SMD				
SDCM	<6 (@3000K 4000K 5000K)				
CCT(K)	1-CCT: 3000K/4000K/5000K II 3-CCT 3000K+4000K+5000K				
CCT Selection DIP Switch	YES				
Luminous Flux (lm) ±5%	Non-DIM	1-CCT			
	DIM		1650-1900	2200-2650	3300-3800
	Non-DIM	3-CCT			
	DIM		1650-2000	2200-2700	3300-3850
CRI	80				
Beam Angle (°)	110 °	UP 110° / Down 110°	110 °	UP 110° / Down 110°	
UGR	—				
LED Driver	Built-in				
Dimming Option	0-10V				
Sensor	—				
Emergency Kits	—				
Electrical Class	With Ground				
Ingress Protection (IP Rating)	Damp location				
Impact Resistance (IK Rating)	—				
Product Finishing(Base)	White RAL 9016				
Materials of Optics	PC				
Materials of Housing	Aluminium				
Lifetime (hr)	50,000h				
Glow wire test (°C)	750°C (Cover) 850°C (Lamp Base)				
Operating Temp. (°C)	-20°C ~45°C				
Storage Temp. (°C)	-20°C ~65°C				
Installation	Surface mount / Pendant				



Measurement

Code	Dimension(mm)							Size(mm)	Product Weight (Kg)		Package weight (Kg)		Carton Size(cm)	Qty/CTN	20GP (pcs)	40HQ (pcs)
	A	B	C	D	E	F	G		N.W/PC	G.W/PC	N.W/CTN	G.W/CTN				
600(2)	602	57	76	1500	115	128	18	602*57*76	1.7	2	10.2	12.8	72.5*26*44	6	2148	4332
1200(4)	1212	57	76	1500	115	128	18	1212*57*76	2.75	3.2	16.5	20.4	133.5*26*44	6	1068	2166

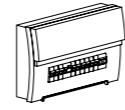
Driver Datasheet (0-10V Dimmable)

Total load wattage		18W	25W	36W	50W
Output	Output Voltage range	DC 30-50V			
	Rated output current	450mA	600mA	900mA	1250mA
	Line Regulation	±5%			
	Setup, Rise Time	≤1S			
	Flickering Index	3.2	2.8	3.1	3.5
Input	Input Voltage	AC108-305V			
	Rated Input Voltage(V)	AC120-277V			
	Frequency	50/60Hz			
	Input Current	0.55A			
	Rated Input Current	0.17A	0.24A	0.34A	0.47A
	Power Factor	0.9			
	THD	<20% @120V			
	Efficiency	≥85			
	No load wattage	<1W			
Protection	Short circuit protection	Pass			
	Over voltage protection	Pass			
	Over temperature protection	Pass			
Safety & EMC	Withstand voltage	I/P-FG:1.6KVac, <5mA 60SO/P-FG:0.5KVac, <5mA 60S			
	Isolation Resistance	I/P-O/P: 500VDC, ≥100M Ω			
	Surge	IEC/EN61000-4-5(P<25W; L-N:0.5KV, L/N-PE:1KV); IEC/EN61000-4-5 (P≥25w L-N:1KV, L/N-PE:2KV) IEC/EN 61000-4-12(L-N :2.5KV,L&N-PE:2.5KV)			
	EMC Emission	FCC part 15			
	EMC Immunity	FCC part 15			

Installation Procedure

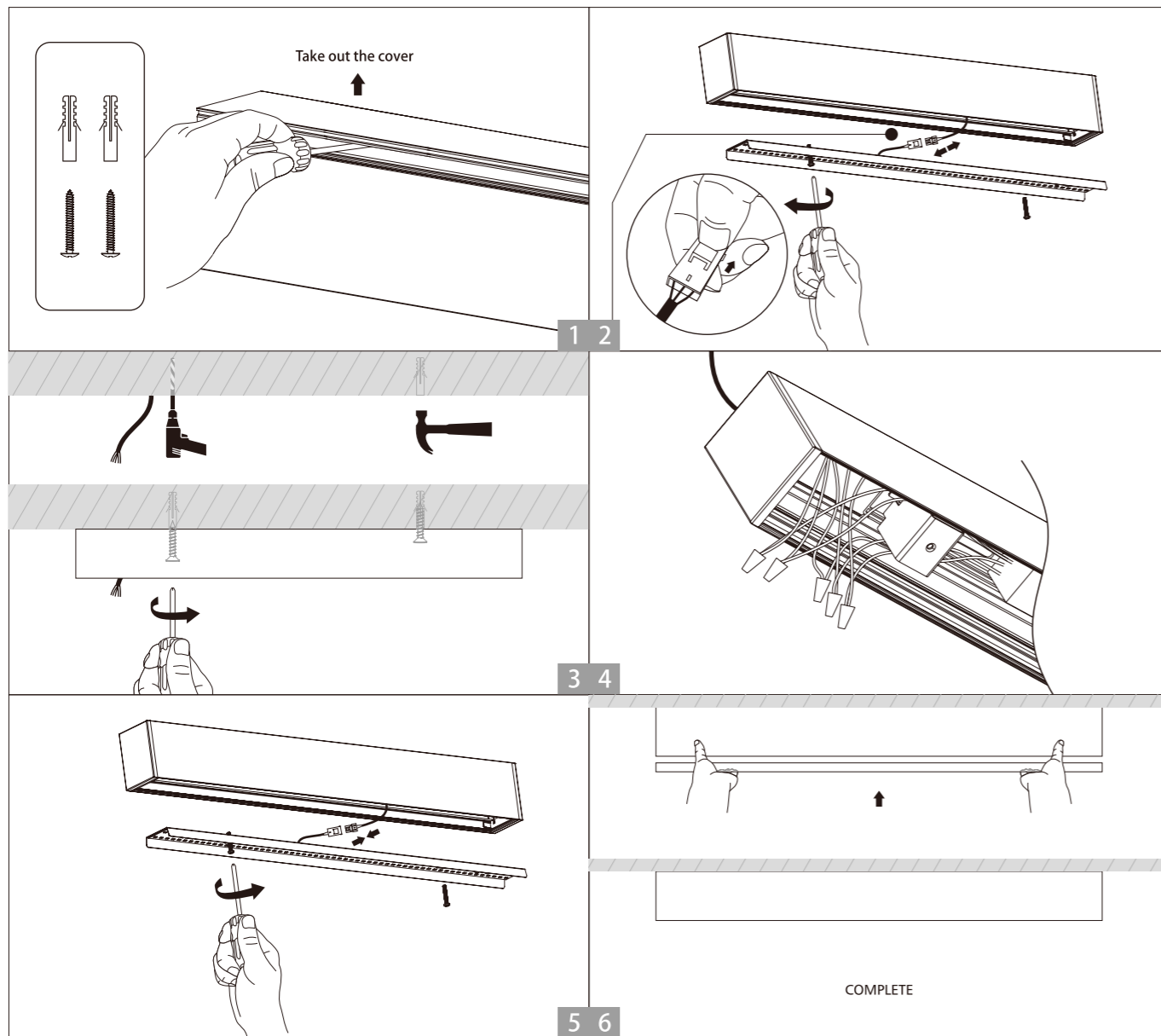
WARNING ⚡

1. Switch off before installation / maintenance.
2. Switch on only after complete installation and examination of the circuit.
3. Professional electrician for installation and maintenance only.

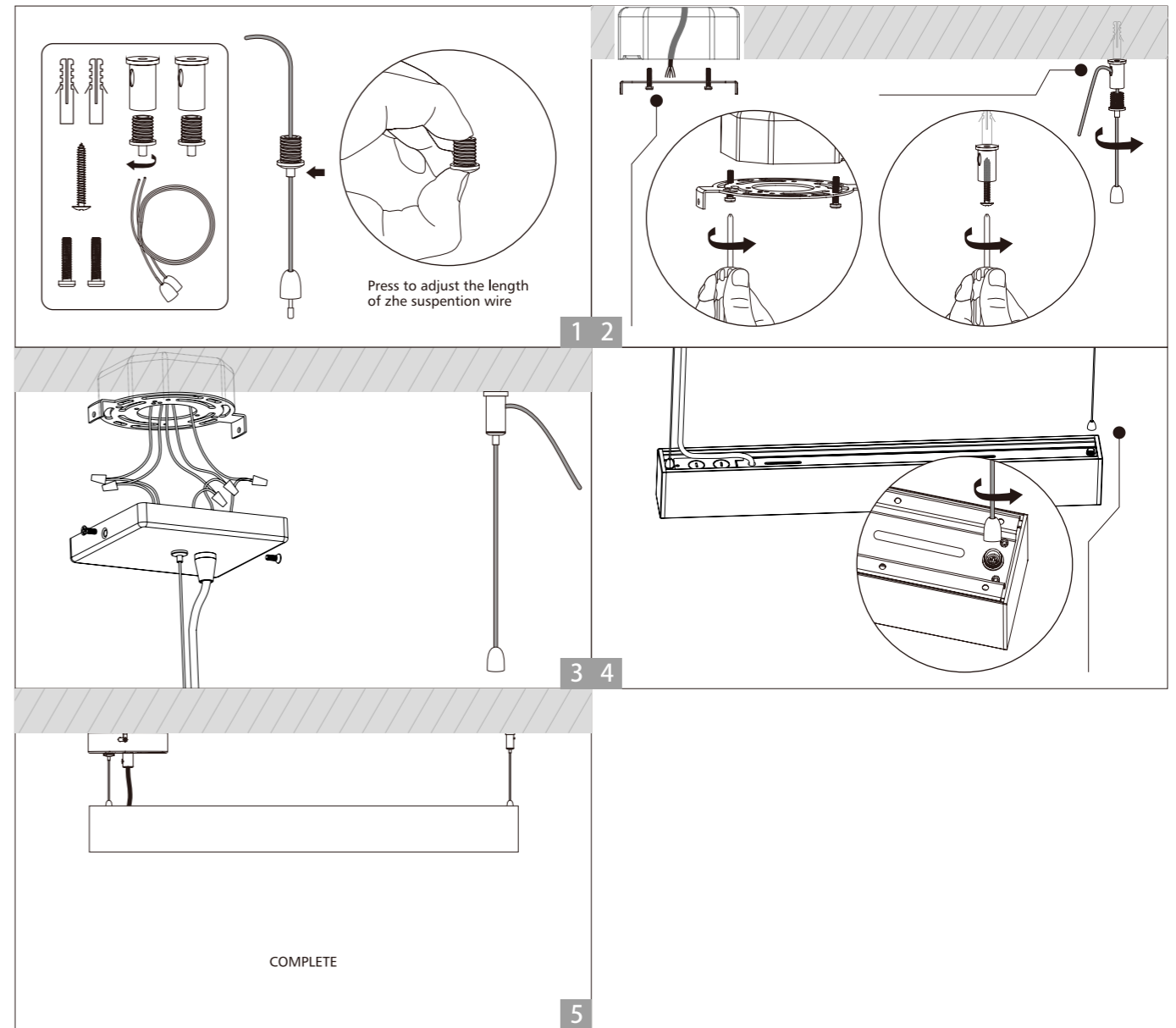


Turn Off power supply before starting any installation. Read instructions & check you have all the tools & accessories to complete the installation correctly.

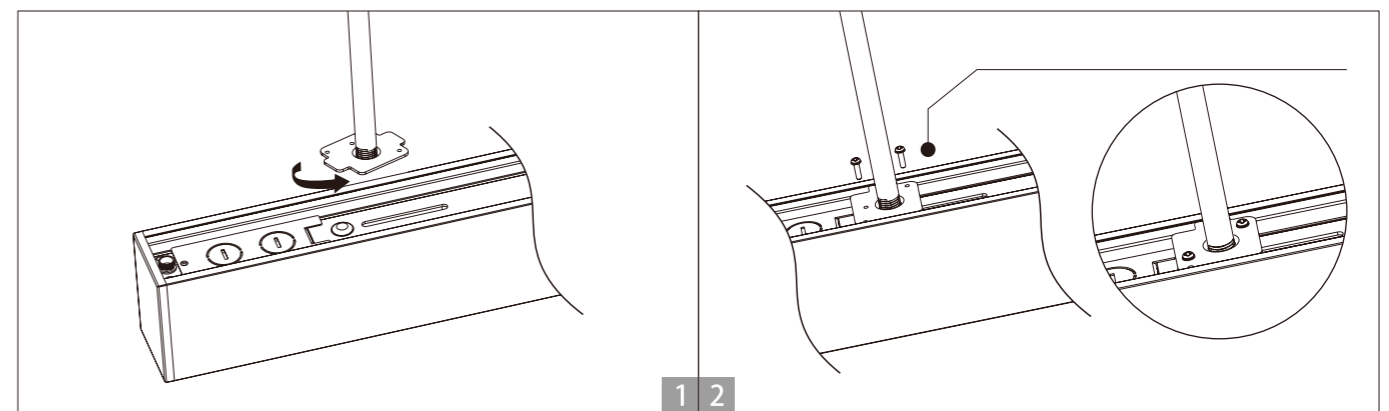
Surfaced mounting steps (For down lighting version only)

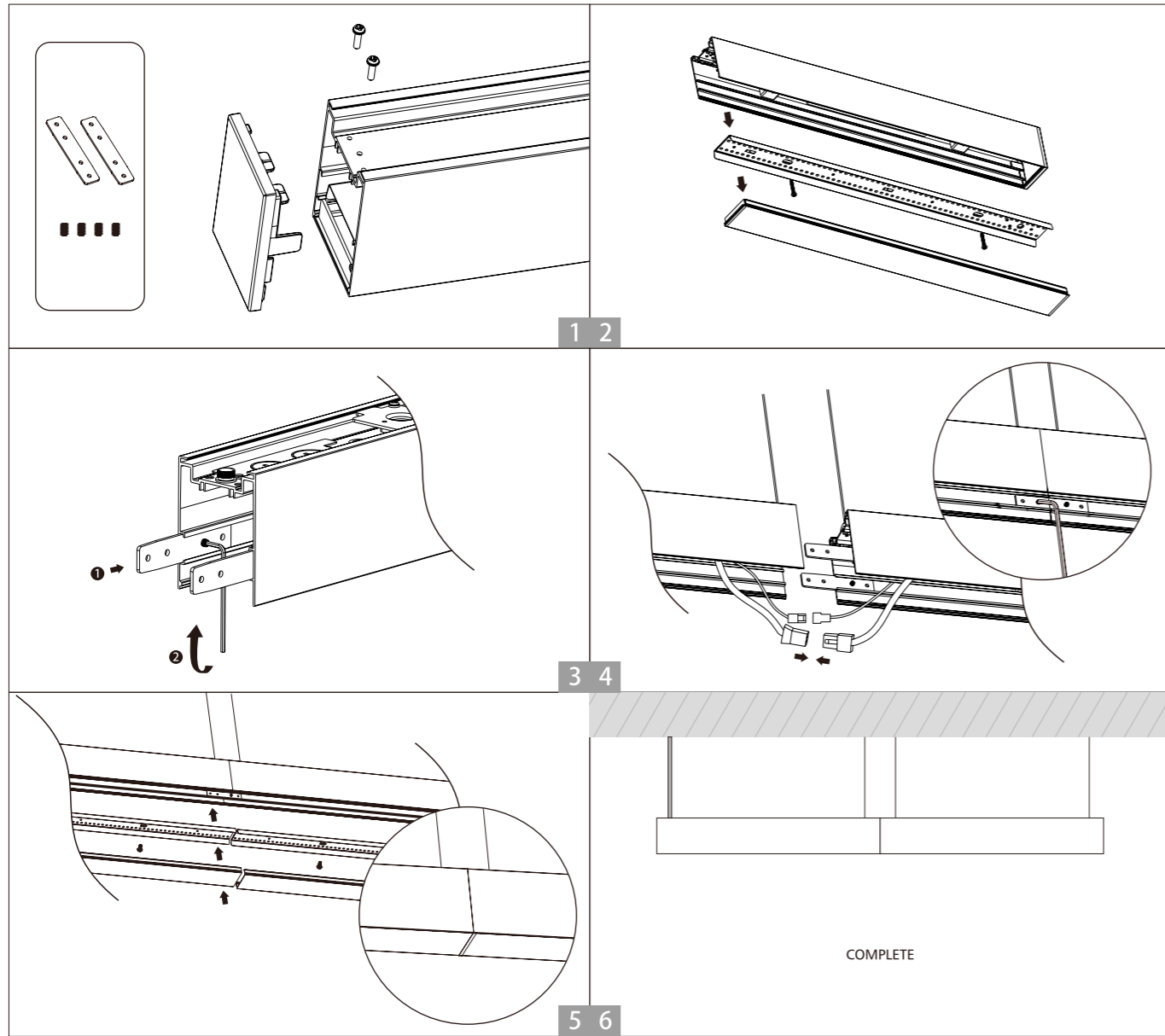


Suspended mounting steps



Derrick mounting steps





ECO
Specifications

STD
Specifications

PRO
Specifications

ODM
Specifications


INT
Intelligent