

Entry /ECO

Standard /STD

Professional/PRO

ODM & OEM

Intelligent/INT



PRO
Specifications



LED Ceiling Light
AL99 Series



luzon
lighting™



Introduction

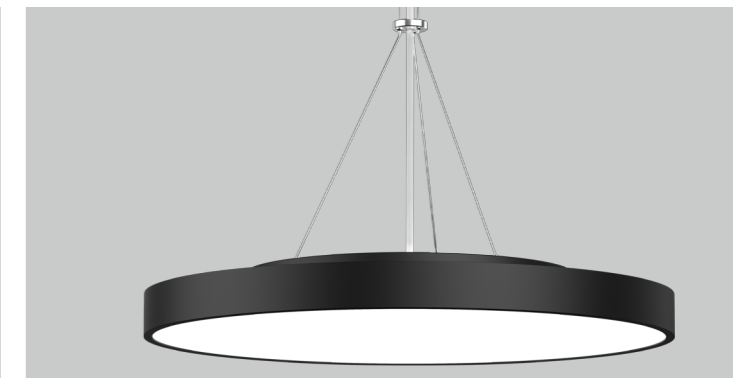
AL99 ceiling light is a big size with up & down lighting design. It's adopted high lumen SMD LED light source, larger lighting area and low glare design make a softer and uniform light output. AL6063 aluminum housing provides an excellent thermal management. Size options: 400mm, 600mm, 800mm, 1000mm. It can do CCT adjustable and wattage adjustable, multiple installation ways available which meets more application demands.

Features

- High lumen efficiency 110lm/W.
- Interchangeable CCT (3000+4000+5700K/3000+4000K) with slide switch.
- Interchangeable wattage available for all size.
- DALI dimmable available.
- Osram flicker free driver.
- Multiple installation ways: Recessed/Surface mounted/Pendant(With pendant rod suspension, with steel wire suspension, with wire harness suspension.)

Application Areas

It is designed for general lighting applications in office, supermarket, shop, school, hotel, etc.





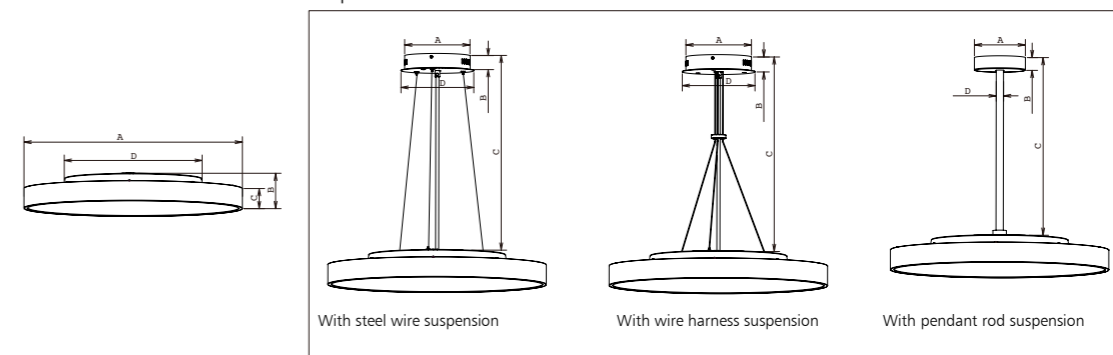
CRI ≥ 80

IP40

PF 0.9

50000 HOURS

Suspension accessories (Purchase as needed)



Technical Data Sheet

| Code No. | AL99-16-40W | AL99-24-60W | | |
|--------------------------------|--|---|----------------------------------|----------------------------------|
| Dimension(mm) | Ø400*86 | Ø600*86 | | |
| Cutout (mm) | Ø220~250 | Ø385~415 | | |
| Watt(W) | 40W @max (optional:35W / 37W / 38W / 40W) | 60W @max (optional:40W / 45W / 55W / 60W) | | |
| Rated Input Voltage(V) | 220-240V | | | |
| Input Voltage(V) | 198-264V | | | |
| LED Module Input | - | | | |
| Light Source | SMD | | | |
| SDCM | <6 (@3000K 4000K 5000K) | | | |
| CCT(K) | 1-CCT: 3000K/4000K/5000K/5700K 3-CCT: 3000K + 4000K + 5700K | | | |
| CCT Selection DIP Switch | YES | | | |
| Luminous Flux (lm) ±5% | Non-DIM | 1-CCT | @35W 3300-3900 @40W 3600-4200 | @40W 3700-4480 @60W 5700-6660 |
| | | DIM | @40W 3800-4300 | @60W 5700-6660 |
| | Non-DIM | 3-CCT | @35W 3300-3900 @40W 3600-4200 | @40W 3700-4490 |
| | | DIM | @40W 3800-4300 | @60W 5700-6660 |
| CRI | ≥80 | | | |
| Beam Angle (°) | 120° | | | |
| UGR | - | | | |
| LED Driver | Built-in | | | |
| Dimming Option | DALI | | | |
| Sensor | NO | | | |
| Emergency Kits | NO | | | |
| Electrical Class | Class I | | | |
| Ingress Protection (IP Rating) | IP40 | | | |
| Impact Resistance (IK Rating) | - | | | |
| Product Finishing(Base) | White RAL 9016/Black RAL 9005 | | | |
| Materials of Optics | PS | | | |
| Materials of Housing | Aluminum | | | |
| Lifetime (hr) | 50,000h | | | |
| Glow wire test (°C) | 650°C | | | |
| Operating Temp. (°C) | -20°C ~45°C | | | |
| Storage Temp. (°C) | -20°C ~65°C | | | |
| Installation | Surface mount / Pendant / Recessed | | | |

Measurement

| Code | Dimension(mm) | | | | Size(mm) | Product Weight (Kg) | | Package weight (Kg) | | Carton Size(cm) | Qty/CTN | 20GP (pcs) | 40HQ (pcs) |
|-------------------------|---------------|----|-----|-----|----------|---------------------|--------|---------------------|---------|-----------------|---------|------------|------------|
| | A | B | C | D | | N.W/PC | G.W/PC | N.W/CTN | G.W/CTN | | | | |
| AL99-16-40W | 400 | 86 | 55 | 219 | Ø400*86 | 3.2 | 3.8 | 19.2 | 25 | 64.5*46.5*47.5 | 6PCS | 1032 | 2208 |
| AL99-24-60W | 600 | 86 | 55 | 383 | Ø600*86 | 6.9 | 7.93 | 13.8 | 18 | 68.5*23.5*68.5 | 2PCS | 528 | 1206 |
| steel wire suspension | 180 | 41 | 800 | 200 | Ø200*41 | 0.86 | 0.9 | 5.16 | 6.4 | 26.5*23*23 | 4PCS | 7488 | 18700 |
| wire harness suspension | 180 | 41 | 800 | 200 | Ø200*41 | 0.86 | 0.9 | 5.16 | 6.4 | 26.5*23*23 | 4PCS | 7488 | 18700 |
| pendant rod suspension | 140 | 35 | 500 | 10 | Ø140*35 | 0.78 | 0.9 | 4.68 | 6.4 | 55.5*41.5*44.5 | 18PCS | 4860 | 11664 |

Driver Datasheet (Non-dimmable)

| Total load wattage | | 40W | 60W | |
|--------------------|-----------------------------------|---|---|----------------------|
| Output | Output Voltage range | DC30-42V | | |
| | Rated output current | 900mA@max(optional:800mA / 850mA / 875mA / 900mA) / 550mA@Max(optional:350mA / 400mA / 500mA / 550mA) | | |
| | Line Regulation | ±7.5% | | |
| | Setup, Rise Time | - | | |
| | Flickering Index | <3% NO Risk IEEE1789 RISK | <5% NO Risk IEEE1789 NO RISK | |
| Input | Input Voltage | 198-264V | | |
| | Rated Input Voltage(V) | 220-240V | | |
| | Frequency | 50/60Hz | | |
| | Input Current | 0.184A | 0.36A | |
| | Rated Input Current | 0.184A | 0.36A | |
| | Power Factor | 0.95 | 0.98 | |
| | THD | <10% @230V | | |
| | Efficiency | 90% | 92% | |
| Protection | No load wattage | <0.5W | | |
| | Short circuit protection | Pass | | |
| | Over voltage protection | Pass | | |
| Safety & EMC | Over temperature protection | Pass | | |
| | Withstand voltage | I/P-O/P:3.75KVac, <5mA 60S | I/P-FG 1.6KV <5mA 60S | |
| | Isolation Resistance | I/P-O/P: 500VDC, ≥100M Ω | | |
| | Surge | IEC/EN61000-4-5 (P≥25w L-N:1KV, L/N-PE:2KV) | IEC/EN61000-4-5 (P≥25w L-N:1KV, L/N-PE:2KV) | |
| | EMC Emission | EN55015, EN61000-3-2 | | EN55015, EN61000-3-2 |
| EMC Immunity | EN61000-4-2,3,4,5,6,8,11; EN61547 | | EN61000-4-2,3,4,5,6,8,11; EN61547 | |

Driver Datasheet (DALI Dimmable)

| Total load wattage | | 40W | 60W |
|--------------------|-----------------------------|--|-----------------------|
| Output | Output Voltage range | DC15-54V | DC54-240V |
| | Rated output current | 900mA | 500mA |
| | Line Regulation | ±3% | |
| | Setup, Rise Time | - | |
| | Flickering Index | <2% NO Risk IEEE1789 NO RISK | <1% IEEE1789 NO RISK |
| Input | Input Voltage | 198-264V | |
| | Rated Input Voltage(V) | 220-240V | |
| | Frequency | 50/60Hz | |
| | Input Current | 0.28A | 0.34A |
| | Rated Input Current | 0.28A | 0.3A |
| | Power Factor | >0.95 | |
| | THD | <10% @220-240V | <10% @220-240V |
| | Efficiency | 91% | 92% |
| | No load wattage | not permitted | <0.25W |
| | Short circuit protection | Pass | - |
| Protection | Over voltage protection | Pass | |
| | Over temperature protection | Pass | |
| | Withstand voltage | I/P-O/P:3.75KVac, <5mA 60S; I/P-FG:1.6KVac, <5mA 60S; O/P-FG:0.5KVac, <5mA 60S | I/P-FG-1.6KV <5mA 60S |
| Safety & EMC | Isolation Resistance | I/P-O/P: 500VDC, ≥100M Ω | |
| | Surge | IEC/EN61000-4-5 (P≥25w L-N:1KV, L/N-PE:2KV) | |
| | EMC Emission | EN55015, EN61000-3-2 | |
| | EMC Immunity | EN61000-4-2,3,4,5,6,8,11; EN61547 | |

Installation Procedure

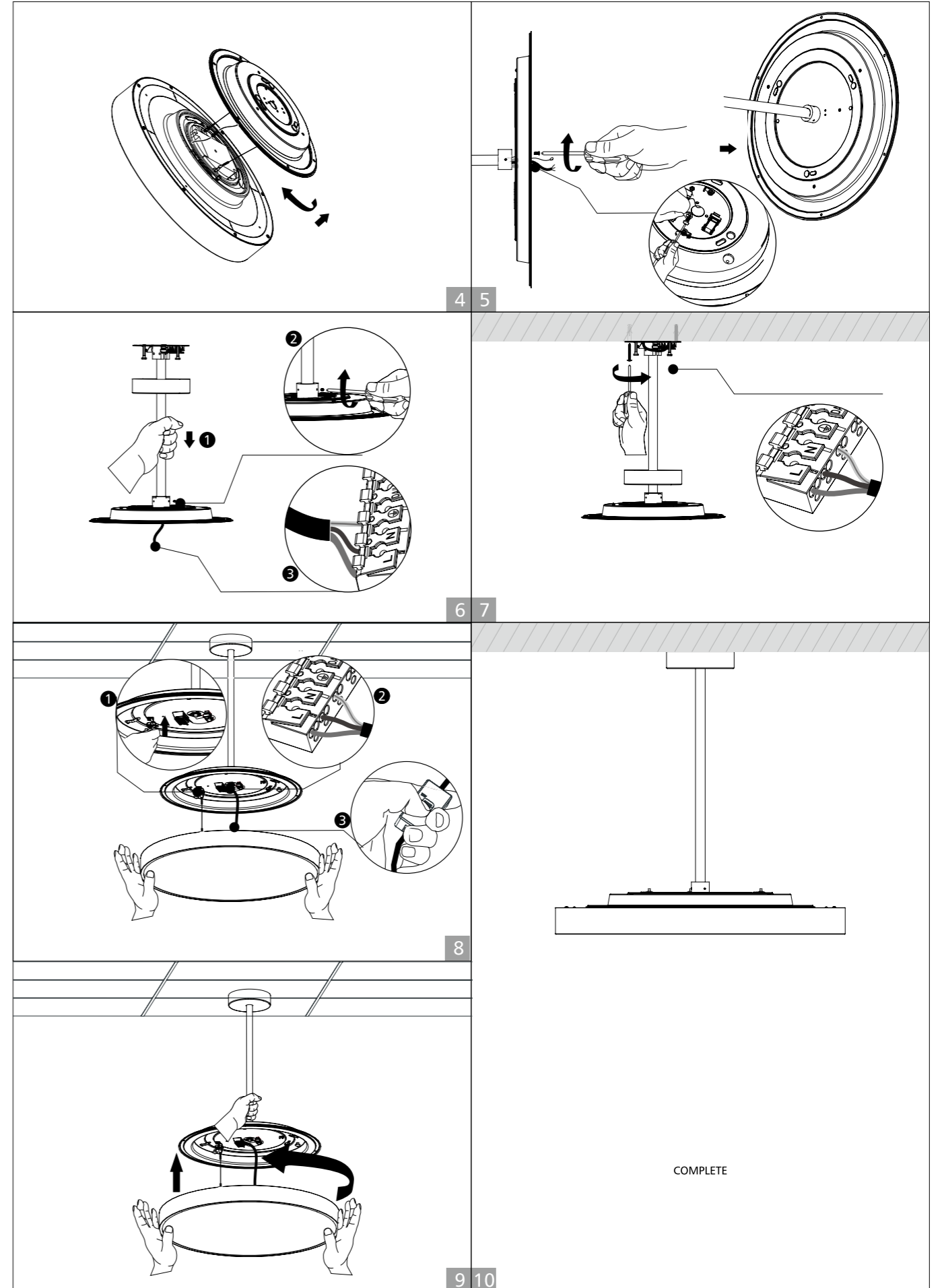
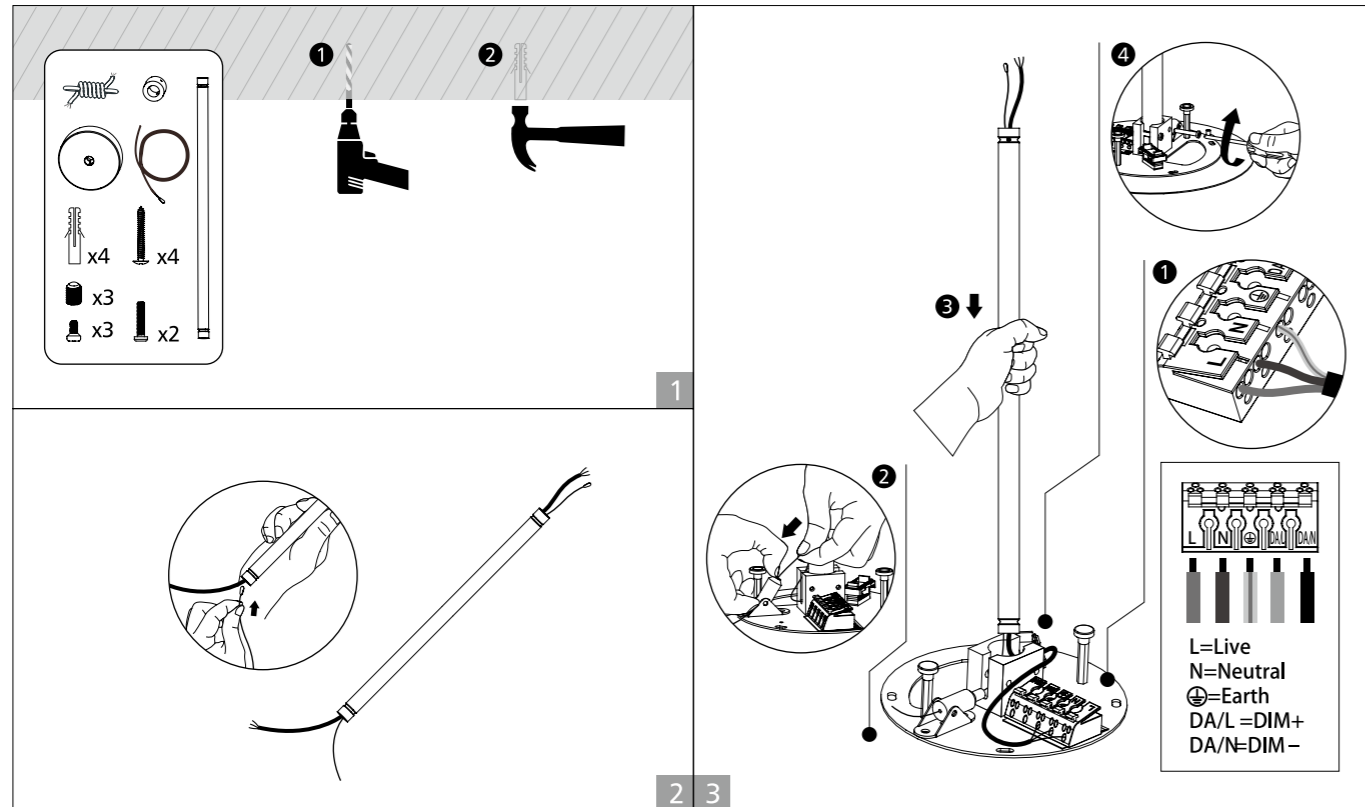
WARNING ⚡

1. Switch off before installation / maintenance.
2. Switch on only after complete installation and examination of the circuit.
3. Professional electrician for installation and maintenance only.

Turn Off power supply before starting any installation. Read instructions & check you have all the tools & accessories to complete the installation correctly.

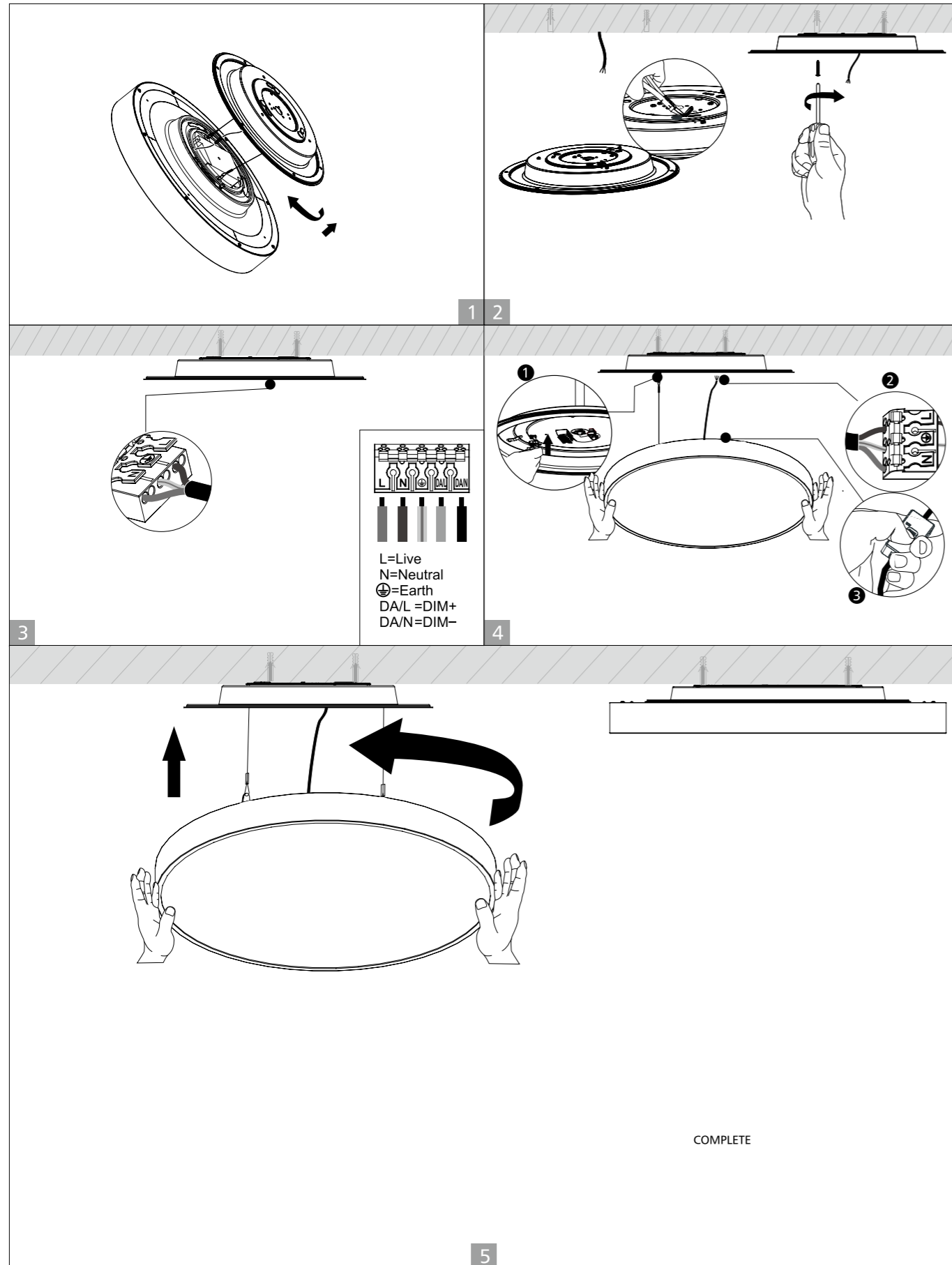


With pendant rod suspension installation

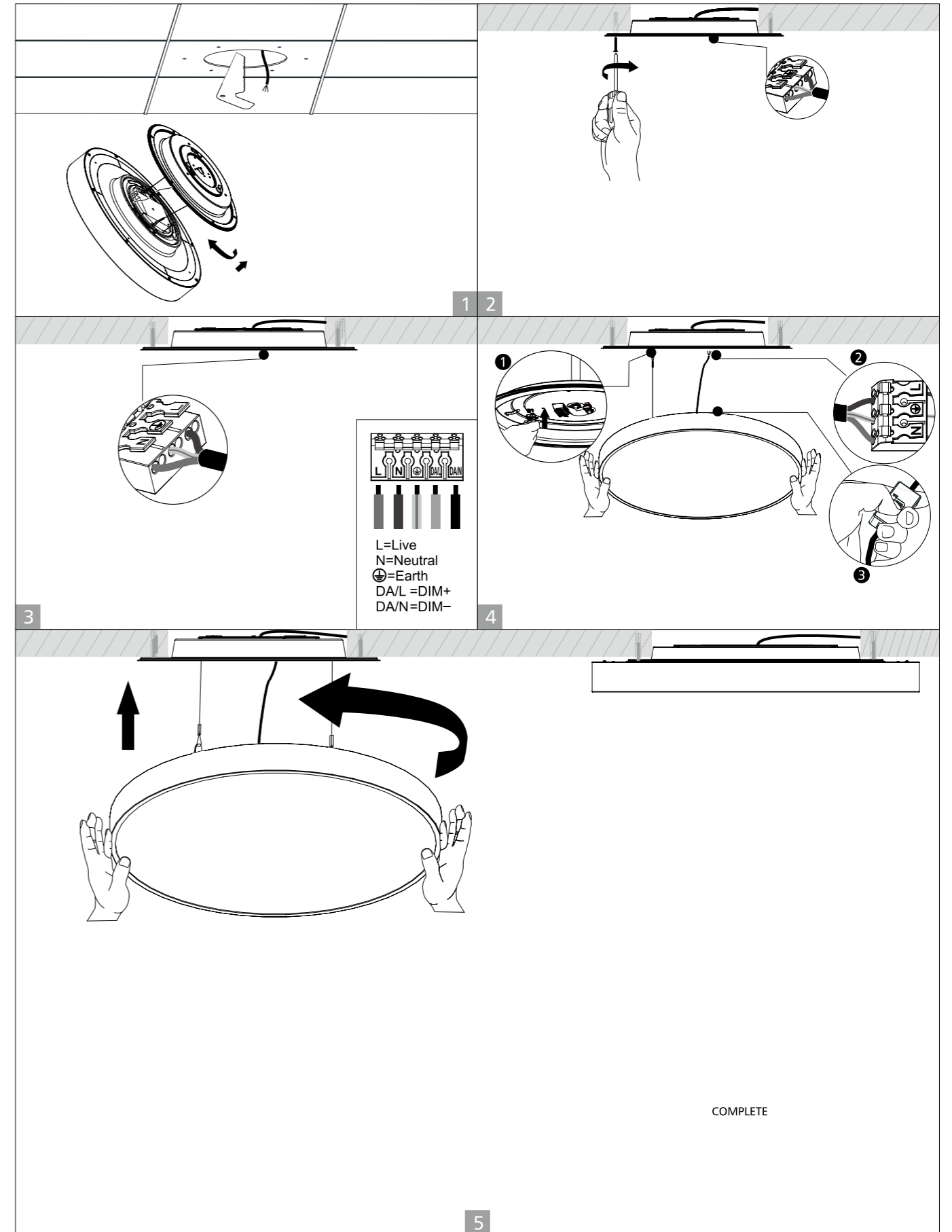


COMPLETE

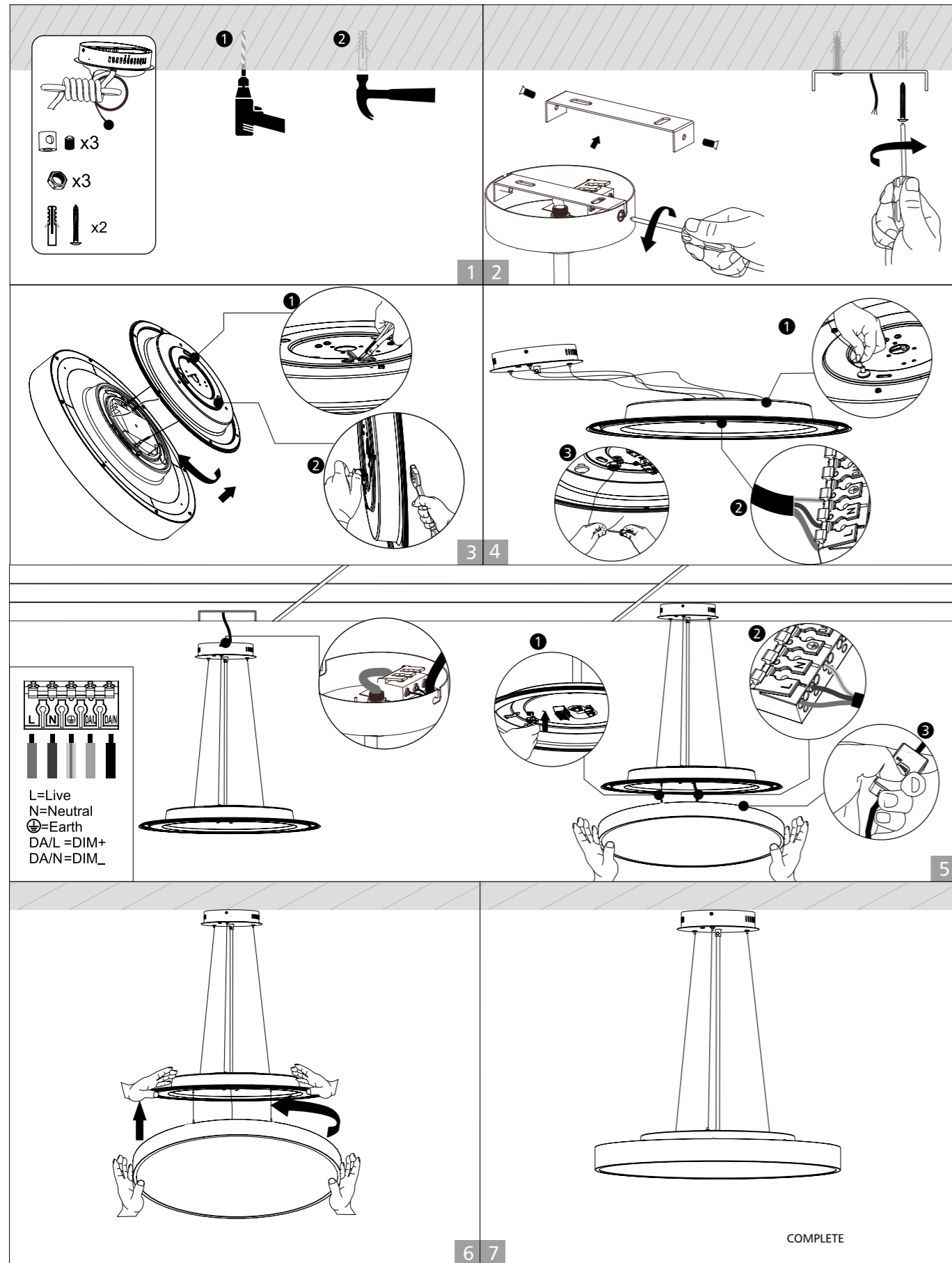
Surface Mount installation



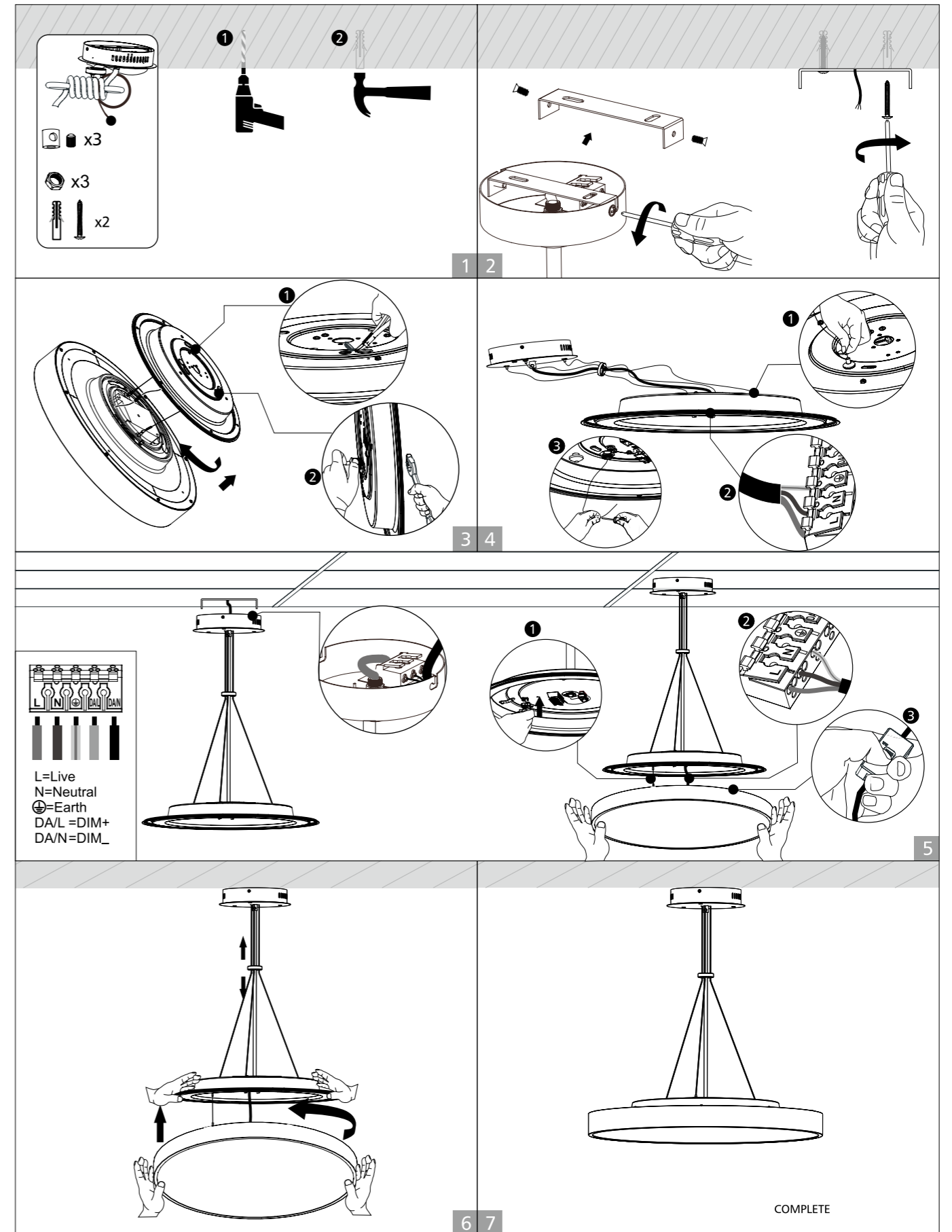
Recessed installation



With steel wire suspension installation



With wire harness suspension installation



ECO
Specifications

STD
Specifications

PRO
Specifications

ODM
Specifications


INT
Intelligent